

# Operator Manual

Refrigerated Dryer

**TG**

No.: 901760 01 USE

Manufacturer:

**KAESER KOMPRESSOREN SE**

96410 Coburg • PO Box 2143 • GERMANY • Tel. +49-(0)9561-6400 • Fax +49-(0)9561-640130

[www.kaeser.com](http://www.kaeser.com)

Original instructions  
/KKW/DTG 2.01 en Z1 SBA-TROCKNER

20220224 075627

<b>1</b>	<b>Regarding this Document</b>	
1.1	Using this document .....	1
1.2	Further documents .....	1
1.3	Copyright .....	1
1.4	Symbols and labels .....	1
1.4.1	Warnings .....	1
1.4.2	Potential damage warnings .....	2
1.4.3	Other alert notes and their symbols .....	2
<b>2</b>	<b>Technical Data</b>	
2.1	Nameplate .....	4
2.2	Options .....	5
2.3	Weight .....	5
2.4	Ambient conditions .....	6
2.5	Compressed air system .....	6
2.6	Refrigerant circuit .....	6
2.7	MODBUS TCP communication module .....	7
2.8	Water Cooling .....	8
2.8.1	Water-cooling .....	8
2.9	Sound pressure level .....	10
2.10	Power Supply .....	10
2.11	Power supply specifications .....	11
<b>3</b>	<b>Safety and Responsibility</b>	
3.1	Basic instructions .....	13
3.2	Specified use .....	13
3.3	Improper use .....	13
3.4	User's responsibilities .....	13
3.4.1	Observe statutory and universally accepted regulations .....	13
3.4.2	Qualified personnel .....	14
3.5	Dangers .....	14
3.5.1	Safely dealing with sources of danger .....	14
3.5.2	Safe machine operation .....	16
3.5.3	Organizational Measures .....	18
3.5.4	Danger Areas .....	18
3.6	Safety devices .....	18
3.7	Safety signs .....	18
3.8	Emergency situations .....	20
3.8.1	Correct fire fighting .....	20
3.8.2	Treating injuries from handling refrigerant .....	20
3.9	Warranty .....	21
3.10	Environment protection .....	21
<b>4</b>	<b>Design and Function</b>	
4.1	Enclosure .....	22
4.2	Machine function .....	22
4.3	Operating points and control modes .....	24
4.3.1	Machine operating modes .....	24
4.4	SECOTEC CONTROL .....	24
4.5	Electronic condensate drain .....	24
4.5.1	Condensate drain operating states .....	25
4.6	Safety devices .....	25
4.7	Floating contacts .....	25
4.8	SIGMA CONTROL SMART .....	26
4.8.1	Operating panel .....	26
4.8.2	User operation SIGMA CONTROL SMART .....	28

4.8.3	Start screen .....	30
4.8.4	Messages menu .....	30
4.8.5	"Flow diagram" menu .....	31
4.8.6	"Information" menu .....	31
4.8.7	Service menu .....	33
4.9	MODBUS TCP communication module .....	35
4.9.1	Display and operating elements of the communications module .....	35
4.10	Options .....	37
4.10.1	Floating contact "Refrigerated compressor runs" .....	37
4.10.2	Pressure dew point warning .....	37
4.10.3	Machine Mountings .....	37
4.10.4	Water-cooling .....	37
4.11	Accessories .....	38
4.11.1	Transformer .....	38
<b>5</b>	<b>Installation and Operating Conditions</b>	
5.1	Ensuring safety .....	39
5.2	Installation conditions .....	39
5.2.1	Determining location and clearances .....	39
5.2.2	Ensuring the machine room ventilation .....	40
5.2.3	Exhaust air duct design .....	41
5.3	Operating the machine in a compressed air network .....	41
<b>6</b>	<b>Installation</b>	
6.1	Ensuring safety .....	42
6.2	Reporting Transport Damage .....	43
6.3	Creating the air connection .....	43
6.4	Connecting the condensate drain .....	44
6.5	Connecting the machine to the power supply .....	45
6.6	Connecting the MODBUS TCP communications module with SIGMA AIR MANAGER 4.0 .....	46
6.6.1	Communication with SIGMA AIR MANAGER 4.0 .....	46
6.6.2	Communication with the user's (central) control system. ....	46
6.7	Options .....	46
6.7.1	Anchoring the machine .....	46
6.7.2	Connecting the water cooling .....	46
<b>7</b>	<b>Initial Start-up</b>	
7.1	Ensuring safety .....	48
7.2	Instructions to be observed before commissioning or re-commissioning .....	49
7.3	Checking installation and operating conditions .....	49
7.4	Starting the machine for the first time .....	50
7.4.1	Registering the machine at the bus .....	50
<b>8</b>	<b>Operation</b>	
8.1	Switching on and off .....	52
8.1.1	Switching on .....	52
8.1.2	Switching off .....	52
8.2	Using the remote control .....	53
8.2.1	Switching the remote control on and off .....	53
8.3	Acknowledging and Resetting Warning and Alarm Messages .....	53
<b>9</b>	<b>Fault Recognition and Rectification</b>	
9.1	Basic instructions .....	55
9.2	Messages at the controller .....	55
9.3	Communications module – Troubleshooting .....	56
9.4	Faults .....	58

<b>10</b>	<b>Maintenance</b>	
10.1	Ensuring safety .....	59
10.2	Regular maintenance tasks .....	60
10.3	Regular maintenance tasks .....	60
10.4	Cleaning the refrigerant condenser .....	60
10.4.1	Air-cooling maintenance .....	61
10.4.2	Water-cooling maintenance .....	61
10.5	Maintaining the condensate drain .....	62
10.5.1	Checking the condensate drain .....	62
10.5.2	Replacing the service unit .....	62
<b>11</b>	<b>Spares, Operating Materials, Service</b>	
11.1	Note the nameplate .....	65
11.2	Consumable Parts and Operating Materials .....	65
11.3	KAESER AIR SERVICE .....	65
11.4	Replacement parts for service and repair .....	65
<b>12</b>	<b>Decommissioning, Storage and Transport</b>	
12.1	Decommissioning .....	77
12.2	Storage .....	77
12.3	Transport .....	77
12.3.1	Safety .....	77
12.3.2	Transport with a forklift truck .....	78
12.3.3	Transport with a crane .....	78
12.4	Disposal .....	79
<b>13</b>	<b>Annex</b>	
13.1	Dimensional drawing .....	81
13.2	Pipeline and instrument flow diagram (P+I diagram) .....	85
13.3	Electrical Diagram .....	88



Fig. 1	Heat exchanger nameplate .....	5
Fig. 2	Three-phase (wye system); 4 wire; center point solidly grounded .....	11
Fig. 3	Three-phase (wye system); 3 wire; center point solidly grounded .....	11
Fig. 4	Location of safety signs .....	19
Fig. 5	Enclosure overview .....	22
Fig. 6	Machine overview .....	23
Fig. 7	Keys – overview .....	26
Fig. 8	Keys (soft key) .....	27
Fig. 9	Indicators .....	27
Fig. 10	Main menu .....	29
Fig. 11	Start screen .....	30
Fig. 12	Event history .....	30
Fig. 13	Flow diagram .....	31
Fig. 14	Information: Screen 1 .....	32
Fig. 15	Information: Screen 2 .....	32
Fig. 16	Information: Screen 3 .....	33
Fig. 17	Screen 1: Condensate drain .....	34
Fig. 18	Screen 2: Refrigerant condenser .....	34
Fig. 19	Installation variant with SIGMA AIR MANAGER 4.0 .....	35
Fig. 20	Operating elements, displays and connections of the communications module .....	36
Fig. 21	Machine Mountings .....	37
Fig. 22	Water-cooling .....	38
Fig. 23	Recommended machine placement and dimensions [in] .....	40
Fig. 24	Air connection .....	43
Fig. 25	Connect the condensate drain .....	45
Fig. 26	Connecting the water cooling .....	47
Fig. 27	Switching on and off .....	52
Fig. 28	Switching the remote control on and off .....	53
Fig. 29	Acknowledging messages .....	54
Fig. 30	Displays and connections of the communications module .....	57
Fig. 31	Clean the refrigerant condenser .....	61
Fig. 32	Checking the condensate drain .....	62
Fig. 33	Replacing the service unit .....	63
Fig. 34	Transporting with a forklift truck .....	78
Fig. 35	Transport with a crane .....	79





Tab. 1	Danger levels and their definition (personal injury) .....	1
Tab. 2	Danger levels and their definition (damage to property) .....	2
Tab. 3	Machine nameplate .....	4
Tab. 4	Options .....	5
Tab. 5	Weight .....	6
Tab. 6	Ambient conditions .....	6
Tab. 7	Compressed air system .....	6
Tab. 8	Refrigerant circuit .....	7
Tab. 9	Communication interface .....	7
Tab. 10	Design data for the cooling system .....	9
Tab. 11	Component specifications (Option K2) .....	9
Tab. 12	Cooling water quality .....	9
Tab. 13	Sound pressure level .....	10
Tab. 14	Performance data (option K1) .....	11
Tab. 15	Performance data (option K2) .....	12
Tab. 16	Power supply details 460V / 3 / 60Hz .....	12
Tab. 17	Danger Areas .....	18
Tab. 18	Safety signs .....	19
Tab. 19	Indication of the operational state of the condensate drain .....	25
Tab. 20	Keys (mechanical) .....	26
Tab. 21	Keys (soft key) .....	27
Tab. 22	Indicators .....	27
Tab. 23	Handling concept .....	28
Tab. 24	Main menu .....	29
Tab. 25	Color concept .....	29
Tab. 26	Plug-in communications module – operating elements, displays and connections .....	36
Tab. 27	Condensate line .....	44
Tab. 28	Condensate collection pipe .....	44
Tab. 29	Condensate collection pipe: Line cross-section .....	44
Tab. 30	Re-commissioning after storage .....	49
Tab. 31	Installation conditions checklist .....	49
Tab. 32	Alarm messages .....	55
Tab. 33	Warning messages .....	56
Tab. 34	Maintenance messages .....	56
Tab. 35	Fault messages on the communications module .....	57
Tab. 36	Faults and troubleshooting .....	58
Tab. 37	Regular maintenance tasks .....	60
Tab. 38	Regular maintenance tasks .....	60
Tab. 39	Consumable parts .....	65



# 1 Regarding this Document

## 1.1 Using this document

The operating manual is a component of the product. It describes the machine as it was at the time of first delivery after manufacture.

- Keep the operating manual in a safe place throughout the life of the machine.
- Supply any successive owner or user with this operating manual.
- Please insert any amendment or revision of the operating manual sent to you.
- Enter details from the machine nameplate and individual items of equipment in the table in chapter 2.

## 1.2 Further documents

Further documents included with this operating manual are:

- Declaration of Conformity in accordance with applicable directives.

Missing documents can be requested from KAESER.

- Make sure all documents are complete and observe the instructions contained in them.
- Make sure you provide the data from the nameplate when ordering documents.

## 1.3 Copyright

This operator manual is copyright protected. Queries regarding use or duplication of the documentation should be referred to KAESER. Correct use of information will be fully supported.

## 1.4 Symbols and labels

- Please note the symbols and labels used in this document.

### 1.4.1 Warnings

Warning notices indicate danger potentially resulting in personal injury, if the measures specified are not taken.

Warning notices indicate three levels of danger identified by the corresponding signal term:

Signal term	Meaning	Consequences of non-compliance
DANGER	Warns of imminent danger	Will very likely result in death or severe injury
WARNING	Warns of potentially imminent danger	May result in death or severe injury
CAUTION	Warns of a potentially dangerous situation	May result in moderate physical injury

Tab. 1 Danger levels and their definition (personal injury)

Warning notices preceding a chapter apply to the entire chapter including all sub-sections.

Example:

# 1 Regarding this Document

## 1.4 Symbols and labels

### **DANGER**

*The type and source of the imminent danger is shown here!*


*The possible consequences of ignoring a warning are shown here.*

*The word "DANGER" indicates that death or severe injury can very likely result from ignoring the warning.*

➤ *The measures required to protect yourself from danger are shown here.*

Warning notes referring to a sub-section or the subsequent action are integrated into the procedure and numbered as a step.

Example:

1. ** WARNING** *The type and source of the imminent danger is shown here!*  
*The possible consequences of ignoring a warning are shown here.*  
*The word "WARNING" indicates that death or severe injury may result from ignoring the warning.*  
➤ *The measures required to protect yourself from danger are shown here.*
2. Always read and comply with warning instructions.

### 1.4.2 Potential damage warnings

Contrary to the warnings shown above, damage warnings do not indicate potential personal injury.

Damage warnings have only one danger level, identified by this signal term:

Signal term	Meaning	Consequences of non-compliance
NOTE	Warns of a potentially dangerous situation	Damage to property is possible

Tab. 2 Danger levels and their definition (damage to property)

Example:

### **NOTICE**

*The type and source of the imminent danger is shown here!*

*Potential effects when ignoring the warning are indicated here.*

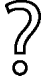

➤ *The protective measures against the damages are shown here.*

➤ Carefully read and fully comply with warnings against damages.

### 1.4.3 Other alert notes and their symbols



This symbol indicates particular important information.

- Material** Here you will find details on special tools, operating materials or spare parts.
- Precondition** Here you will find conditional requirements necessary to carry out the task.  
The conditional requirements relevant to safety shown here will help you to avoid dangerous situations.
- Option H1** ➤ This symbol is placed by lists of actions comprising one stage of a task.  
Operating instructions with several steps are numbered in the sequence of the operating steps.  
Information relating to one option only are marked with an option code (e.g., H1 indicates that this section applies only to machines with bolt-down machine feet). Option codes used in this operating manual are explained in chapter 2.2.
-  Information referring to potential problems is identified by a question mark.  
The cause is specified in the help text ...  
➤ ... as is a solution.
-  This symbol identifies important information or measures regarding the protection of the environment.
- Further information** Further subjects are introduced here.

## 2 Technical Data

### 2.1 Nameplate

#### Machine nameplate

The machine's nameplate provides the model designation and important technical information. The nameplate is located on the outside of the machine.



Nameplates in various languages are provided with the machine.

➤ If required, attach a nameplate in the applicable language.

➤ Enter the data from the nameplate here as a reference.

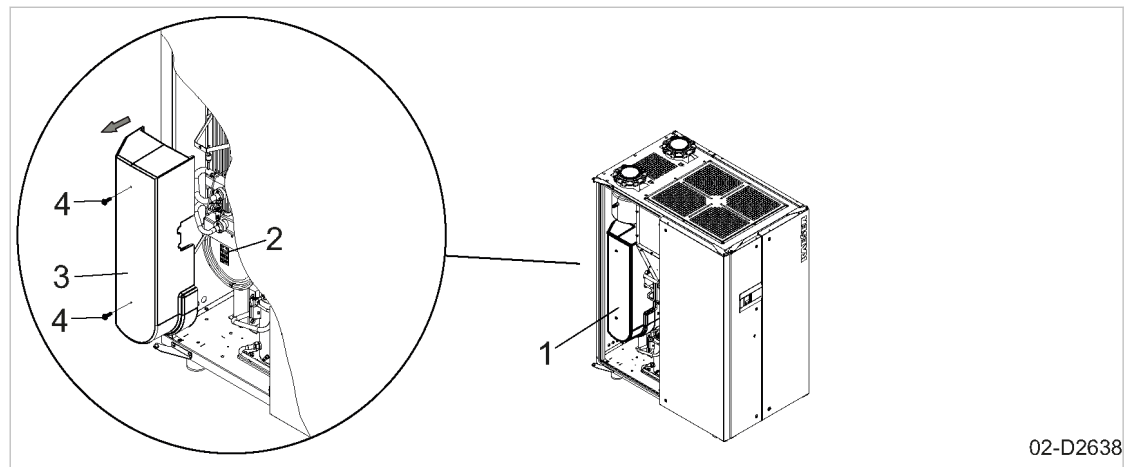
Feature	Value
Refrigerated dryer	
Part No.	
Serial No.	
Year of manufacture	
Max. gauge working pressure	
Compressed air inlet temperature	
Ambient temperature	
Rated current	
Largest motor FLA	
Short circuit current	
Supply fuse (field provided)	
Power supply	
Wiring diagram	
Option	
<b>Refrigerant system</b>	
Refrigerant	
Refrigerant charge	
Global warming potential	
CO <sub>2</sub> equivalent	
Max. working pressure (refrigeration system), HP*	
Max. working pressure (refrigeration system), LP**	
Tested for pressure tightness	
* High pressure	
** Low pressure	

Tab. 3 Machine nameplate

#### Heat exchanger nameplate

For important technical data, please see the nameplate of the heat exchanger.

The nameplate is attached directly at the heat exchanger within the machine.



02-D2638

Fig. 1 Heat exchanger nameplate

- |                  |              |
|------------------|--------------|
| ① Heat exchanger | ③ Insulation |
| ② Nameplate      | ④ Screw      |

1. Undo the screws ④ and carefully remove the insulation ③.
2. Read the data on the nameplate ②.
3. Re-attach the insulation and secure with screws ④.

## 2.2 Options

The table contains a list of possible options.

➤ Enter options here as a reference:

Option	Option code	Available?
Floating contact: "Pressure dew point warning"	C36	✓
Floating contact: "Refrigerant compressor runs"	C37	✓
Communication module: Modbus TCP	C44	✓
Bolt-down machine mounts	H1	
Air-cooling	K1	
Water cooling: Plate-type heat exchanger	K2	
Electronic condensate drain, floating contact	K6	✓

Available: ✓

Not available: —

Tab. 4 Options

## 2.3 Weight

The values shown are maximum values. The actual weight of individual machines depends on equipment fitted.

	TG 450	TG 520	TG 650	TG 780	TG 980
Weight [lb]	1405 / 1372 <sup>1)</sup>	1450 / 1418 <sup>1)</sup>	1555 / 1519 <sup>1)</sup>	1545 / 1511 <sup>1)</sup>	1685 / 1650 <sup>1)</sup>
<sup>1)</sup> Option K2					

Tab. 5 Weight

## 2.4 Ambient conditions

	TG 450	TG 520	TG 650	TG 780	TG 980
Maximum elevation AMSL <sup>1)</sup> [ft]	3000	3000	3000	3000	3000
Permissible ambient temperature [°F]	38 – 120	38 – 120	38 – 120	38 – 120	38 – 120

<sup>1)</sup> Higher altitudes are permissible only after consultation with the manufacturer.

Tab. 6 Ambient conditions

## 2.5 Compressed air system

	TG 450	TG 520	TG 650	TG 780	TG 980
Pressure drop <sup>1)</sup> [psig]	1.45	2.03	1.18	1.89	2.90
Flow rate <sup>1)</sup> [cfm]	1340	1550	1910	2330	3070
Flow rate <sup>1)</sup> [cfm] (Option K2)	1589	1836	2190	2684	3355
Cooling air flow rate [cfm] (Option K1 only)	2940	3880	4180	5000	7360
Pressure dew point <sup>1)</sup> [°F]	39	39	39	39	39
Max. working pressure [psig]	230	230	188	188	188
Min. compressed air inlet temperature [°F]	38	38	38	38	38
Max. compressed air inlet temperature [°F]	140	140	140	140	140

<sup>1)</sup> According to ISO 7183 Option A2:

- Reference point: 14.5 psi(a), 68 °F, 0 % relative humidity:
- Operating point: Gauge working pressure 100 psig, compressed air inlet temperature 100 °F, 100 % relative humidity, cooling air inlet temperature 100 °F, cooling water inlet temperature 84 °F

Tab. 7 Compressed air system

## 2.6 Refrigerant circuit

The refrigerated dryer contains a refrigerant that is classified as a fluorinated global warming gas. This refrigerant is required for the function of the machine.



	TG 450	TG 520	TG 650	TG 780	TG 980
Refrigerant	R-513A	R-513A	R-513A	R-513A	R-513A
Global warming potential (GWP)	631	631	631	631	631
Charge quantity <sup>1)</sup> [lb]	9.48 9.04 <sup>2)</sup>	9.59 8.82 <sup>2)</sup>	14.11 13.45 <sup>2)</sup>	13.23 12.57 <sup>2)</sup>	17.42 17.20 <sup>2)</sup>
Charge quantity as CO <sub>2</sub> equivalent [t]	2.71 2.59 <sup>2)</sup>	2.74 2.52 <sup>2)</sup>	4.04 3.85 <sup>2)</sup>	3.79 3.60 <sup>2)</sup>	4.98 4.92 <sup>2)</sup>
Maximum working pressure [psig] (high pressure end)	348	348	348	348	348
Maximum working pressure [psig] (low pressure end)	305	305	305	305	305
Pressure monitor: Cut-out pressure [psig]	334	334	334	334	334

<sup>1)</sup> Volume of fluorinated global warming gases for which the refrigerant system was designed

<sup>2)</sup> Option K2

Tab. 8 Refrigerant circuit

## 2.7 MODBUS TCP communication module

### Communication interface

Feature	Value
Communication bus	SIGMA NETWORK / MODBUS TCP server (slave)
SIGMA NETWORK cable CAT5, 2x2x0.64, grey color (meter goods)	Material number: 7.9679.0
RJ45 plug bus connection (RJ45 plug, 4 insulation displacement/clamping contacts, tool-free installation (fast connect))	Material number: 7.7628.1
MODBUS TCP cable CAT5 shielded, copper, green color (meter goods)	Material number: 7.7629.0
Power supply [V DC]	24
Transfer rate [MBit/s]	10/100
Properties 1	Auto crossing (Auto-MDI (X))
Properties 2	Auto negotiation
Connections	1x socket RJ45 CAT5 shielded, 10/100 Base-TX
Max. conduit length between two components [m]	100
Input data [byte]	1
Output data [byte]	89

Data content

“SIGMA CONTROL SMART Technical Description - Process Image”,  
Document number: 7\_9200\_PCM\_PA

Tab. 9 Communication interface

## 2.8 Option K2 Water Cooling



Refrigeration may contaminate the cooling water if a leak occurs.

- A special heat exchanger must be used for heating drinking water.

The specific heat capacity and required volume flow rate of the cooling water changes if anti-freeze is added.

- Consult an authorized KAESER service representative to ensure optimum cooling-system performance.
- Comply with the specified minimum requirements for the cooling water in order to avoid downtimes due to corrosion, calcification and contamination.

It is imperative that measures for cooling water treatment and filtration are implemented and performed.

KAESER can provide the names of companies specializing in cooling water analysis and the supply of suitable treatment devices.

The following design types are available:

- Option K2: Water cooling with plate heat exchanger: Chapter 2.8.1

### Open cooling system

An open cooling system may be a cooling circuit with open cooling towers for cooling via evaporation. As a portion of the cooling water evaporates, it must be replenished regularly. During evaporation, the material content of the cooling water concentrates and the contact with ambient air can contaminate the cooling water. When replenishing cooling water, you must ensure the minimum requirements for the cooling water.

### Closed cooling system

In a closed cooling system, the cooling water has not contact with the atmosphere. Thus, it cannot be contaminated by the atmosphere or enriched with oxygen, for example.

### Continuous-flow cooling system

A continuous-flow cooling system is an open cooling system. Ground, surface or drinking water circulate once through the cooling system.

Further information The dimensional drawing in chapter 13.1 gives the flow direction, size and position of the connection ports.

### 2.8.1 Option K2 Water-cooling



The primary side of the heat exchanger is connected to the machine. The specifications refer to the secondary side of the heat exchanger.

**2.8.1.1 Design data for the cooling system**

	TG 450	TG 520	TG 650	TG 780	TG 980
Inlet temperature <sup>1)</sup> [°F]	84	84	84	84	84
Cooling water temperature rise <sup>1)</sup> [F]	17	18	14	12	17
Flow rate <sup>1)</sup> [gpm]	7.18	7.44	11.22	16.20	17.35
Pressure drop <sup>1)</sup> [psi]	6.5	7.1	4.5	8.7	10.2

<sup>1)</sup> ISO 7183 Option A2:

- Reference point: 14.5 psi(a), 68 °F, 0 % relative humidity:
- Operating point: Working pressure 100 psig, compressed air inlet temperature 100 °F, 100 % relative humidity

Tab. 10 Design data for the cooling system

**2.8.1.2 Component specification:**

Feature	Value
Material (Heat exchanger)	1.4401
Solder (Heat exchanger)	Copper (Cu)
Max. working pressure [psig]	145
Max. permissible pressure differential with closed valves [psi]	50
Minimum permissible inlet temperature [°F]	40
Max. permissible inlet temperature* [°F]	104
Unsuitable cooling media	Salt water Consult an authorized KAESER service representative on the suitability of cooling water solutions.

\* Contact an authorized KAESER service representative regarding higher values.

Tab. 11 Component specifications (Option K2)

**2.8.1.3 Cooling water quality**

Characteristics/content	Closed cooling system	Open cooling system
pH value	7.5 – 9.0	7.5 – 9.0
General hardness [°dH]	0 – 20	0 – 20
Carbonate hardness* [°dH]	<20	<4
Chlorides (Cl) [mg/l]	<100	<100

\* CFU: colony-forming units

Characteristics/content	Closed cooling system	Open cooling system
Iron (Fe), dissolved [mg/l]	<0.5	<0.2
Sulphate (SO <sub>4</sub> ) [mg/l]	<300	<300
HCO <sub>3</sub> /SO <sub>4</sub> ratio	>1	>1
Electrical conductivity [μS/cm]	10 – 800	10 – 1500
Ammonia (NH <sub>4</sub> <sup>+</sup> ) [mg/l]	<1	<1
Manganese (Mn), dissolved [mg/l]	<0.1	<0.1
Glycol [%]	20 – 40	—
Solids (particle size) [mm]	<0.1	<0.1
Bacterial count [CFU*/ml]	10,000	10,000
Suspended solids [ppm] (portion of undissolved matter)	<20	<20

\* CFU: colony-forming units

Tab. 12 Cooling water quality

## 2.9 Sound pressure level

	TG 450	TG 520	TG 650	TG 780	TG 980
Sound pressure level [dB(A)]	<70 / <70 <sup>2)</sup>	<70 / <70 <sup>2)</sup>	<70 / <70 <sup>2)</sup>	<70 / <70 <sup>2)</sup>	<70 / <70 <sup>2)</sup>

Sound pressure level as per EN ISO 11203 and basic standard ISO 9614-2 with d=1 m and Q2=17.2 / 16.4<sup>2)</sup> dB(A), uncertainty: ±3 dB(A)

<sup>2)</sup> Option K2

Tab. 13 Sound pressure level

## 2.10 Power Supply

### Basic requirements

The machine is designed for an electrical supply according to National Electric Code (NEC) NEC-670, particularly NFPA 79, edition 2021, section 4.3. In the absence of any user-specified alternatives, the limits given in these standards must be adhered to. Consult manufacturer for any other specific power supply.

The incoming line within the control panel should be as short as possible.

If external sensors or communication lines are to be connected to the machine, use shielded cables and insert the same through EMC fittings into the control panel.

### Three-phase

Do **NOT** operate a package on any unsymmetrical power supply. Also do **NOT** operate a package on power supplies, for example, a three-phase (open) delta or three-phase star with non-grounded neutral.

The machine requires a symmetrical three-phase power supply transformer with a WYE configuration output as shown in Figure 2 and Figure 3. In a symmetrical three-phase supply the phase angles and voltages are all the same.

Other power supplies are not suitable.



Fig. 2 Three-phase (wye system); 4 wire; center point solidly grounded

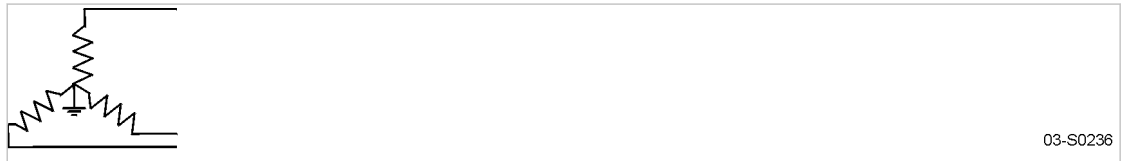


Fig. 3 Three-phase (wye system); 3 wire; center point solidly grounded

Further information Please contact an authorized KAESER service representative for power supply options. The electrical diagram 13.3 contains further specifications for electrical connection.

## 2.11 Power supply specifications

The following multi-strand copper core wires are given according to 2020 NEC 310.14, 310.15, 310.16 and table 310.16 adjusted for 40 °C ambient temperature.

If other local conditions prevail, like for example high temperature, the cross section should be checked and adjusted according to 2020 NEC 110.14(C), 220.3, 310.14, 310.15, 310.16, table 310.15(B)(1), table 310.15(C)(1), 430.6, 430.22, 430.24, 670.4(A) and other local codes.

Dual element time delay fuses should be selected according to 2020 NEC 240.6, 430.52 and tables 430.52, 430.248 and 430.250.

It is recommended to use a ground conductor the same size as the current carrying conductors, if local codes allow. Neither the minimum ground wire size as pointed out in 2020 NEC table 250.122 nor using conduit as the sole ground connection is recommended.

### Option K1 Performance data

	TG 450	TG 520	TG 650	TG 780	TG 980
Power consumption <sup>1)</sup> [hp]	6.8	8.0	9.6	12.1	20.0
Maximum power consumption [hp]	11.6	13.3	14.2	18.2	30.0

<sup>1)</sup> According to ISO 7183 Option A2:

- Reference point: 14.5 psia, 68 °F, 0 % relative humidity
- Operating point: Gauge working pressure 100 psig, compressed air inlet temperature 100 °F, 100 % relative humidity, cooling air inlet temperature 100 °F

Tab. 14 Performance data (option K1)

**Option K2 Performance data**

	TG 450	TG 520	TG 650	TG 780	TG 980
Power consumption <sup>1)</sup> [hp]	5.7	6.4	7.5	8.8	14.2
Maximum power consumption [hp]	8.7	10.5	12.1	14.3	23.6

<sup>1)</sup> According to ISO 7183 Option A2:

- Reference point: 14.5 psia, 68 °F, 0 % relative humidity
- Operating point: Gauge working pressure 100 psig, compressed air inlet temperature 100 °F, 100 % relative humidity, cooling air inlet temperature 100 °F

Tab. 15 Performance data (option K2)

**Rated voltage: 460V / 3 / 60Hz**

	TG 450	TG 520	TG 650	TG 780	TG 980
Pre-fuse [A]	20 / 15 <sup>2)</sup>	20	25 / 20 <sup>2)</sup>	30 / 25 <sup>2)</sup>	50 / 45 <sup>2)</sup>
Supply per phase and ground (75 °C)	14 AWG	12 AWG 14 AWG <sup>2)</sup>	12 AWG 14 AWG <sup>2)</sup>	10 AWG 12 AWG <sup>2)</sup>	8 AWG
Consumption [A]	13.3 / 10.4 <sup>2)</sup>	15.2 / 12.1 <sup>2)</sup>	16.9 / 13.9 <sup>2)</sup>	20.6 / 16.8 <sup>2)</sup>	33.8 / 27.3 <sup>2)</sup>

<sup>2)</sup> Option K2

Tab. 16 Power supply details 460V / 3 / 60Hz

Further information The circuit diagram in chapter 13.3 contains further details of the electrical connection data.

## 3 Safety and Responsibility

### 3.1 Basic instructions

The machine is manufactured to the latest engineering standards and acknowledged safety regulations. Nevertheless, dangers can arise through its operation:

- danger to life and limb of the operator or third parties,
- impairments to the machine and other material assets.



Disregard of warning or safety instructions can cause serious injuries!

- Use this machine only if it is in a technically perfect condition and only for the purpose for which it is intended; observe all safety measures and the instructions in the service manual.
- Immediately rectify (have rectified) any faults that could be detrimental to safety!

### 3.2 Specified use

The machine is intended solely to dry compressed air for industrial use. Any other use is considered incorrect. The manufacturer is not liable for any damages that may result from incorrect use. The user alone is liable for any risks incurred.

- Comply with the specifications shown in this service manual.
- Operate the machine only within its performance limits and under the permitted ambient conditions.
- Do not use compressed air for breathing purposes unless it is specifically treated.
- Do not use compressed air for any application that will bring it into direct contact with food products unless it is specifically treated.

### 3.3 Improper use

Improper usage can cause damage to property and/or (severe) injuries.

- Only use the machine as intended.
- Never direct compressed air at persons or animals.
- Do not use untreated compressed air for breathing purposes.
- Do not allow the machine to take in toxic, acidic, flammable or explosive gases or vapors.
- Do not operate the machine in areas in which specific requirements with regard to explosion protection are in force.

### 3.4 User's responsibilities

#### 3.4.1 Observe statutory and universally accepted regulations

This includes, for example, nationally implemented European directives and/or applicable national legislation, safety and accident prevention regulations.

- Observe relevant statutory and accepted regulations during installation, operation, and maintenance of the machine.

### 3.4.2 Qualified personnel

These are people who, by virtue of their training, knowledge and experience as well as their knowledge of relevant regulations can assess the work to be done and recognize the possible dangers involved.

Authorized operators possess the following qualifications:

- are of legal age,
- are familiar with and adhere to the safety instructions and sections of the service manual relevant to operation,
- have received adequate training and authorization to operate electrical and compressed air devices.
- Additional qualifications for compressors with refrigerated dryers:
  - Adequate training and authorization on refrigeration devices.

Authorized installation and maintenance personnel have the following qualifications:

- are of legal age,
  - must have read, are familiar with, and adhere to the safety instructions and sections of the service manual applicable to installation and maintenance,
  - are completely familiar with the safety concepts and regulations of electrical, refrigeration, and compressed air engineering,
  - are able to recognize the possible dangers of electrical, refrigeration, and compressed air devices and take appropriate measures to safeguard persons and property,
  - have received adequate training in and authorization for the safe installation and maintenance of this machine.
  - completely familiar with the safety concepts and regulations concerning refrigeration devices,
  - must be able to recognize the possible dangers of refrigeration devices and take appropriate measures to safeguard persons and property.
- Ensure that operating, installation, and maintenance personnel are qualified and authorized to carry out their tasks.

## 3.5 Dangers

### Basic information

Information concerning the various forms of danger that can arise during machine operation are found here.

Basic safety instructions are found in this service manual at the beginning of each chapter in the section entitled 'Safety'.

Warning instructions are found before a potentially dangerous task.

### 3.5.1 Safely dealing with sources of danger

The following describes the various forms of danger that can occur during machine operation.

#### Electricity

Touching voltage-carrying components can result in electric shocks, burns, or death.



- Allow only qualified and authorized electricians or trained personnel under the supervision of a qualified and authorized electrician to carry out work on electrical equipment according to electrical engineering regulations.
- Before commissioning or re-commissioning the machine, the user must make sure there is adequate protection against electric shock from direct or indirect contact.
- Before starting any work on electrical equipment:  
Switch off and lock out the power supply disconnecting device and verify the absence of voltage.
- Switch off any external power sources.  
These may include devices connected to the floating relay contacts.
- Use fuses corresponding to machine power.
- Check regularly that all electrical connections are tight and in proper condition.

#### **Forces of compression**

Compressed air is contained energy. Uncontrolled release of this energy can cause serious injury or death. The following information concerns work on components that could be under pressure.

- Close shut-off valves or otherwise isolate the machine from the distribution network to ensure that no compressed air can flow back into the machine.
- Depressurize all pressurized components and enclosures.
- Do not carry out welding, heat treatment or mechanical modifications to pressurized components (e.g. pipes and vessels) as this influences the component's resistance to pressure. The safety of the machine is then no longer ensured.

#### **Rotating components**

Touching the fan while the machine is switched on can result in serious injury.

- Do not open the enclosure while the machine is switched on.
- Switch off and lock out the power supply disconnecting device and verify the absence of voltage.
- Wear close-fitting clothes and a hair net if necessary.
- Ensure that all covers and safety guards are in place and secured before restarting.

#### **Temperature**

High temperatures are generated during compression. Touching hot components may cause injuries.

- Avoid contact with hot components.  
These include, for example, the refrigerant condenser.
- Wear protective clothing.
- If welding is carried out on or near the machine take adequate measures to ensure that no parts of the machine can ignite because of sparks or heat.

#### **Operating fluids/materials**

The used operating fluids and materials can cause adverse health effects. Suitable safety measures must be taken in order to prevent injuries.

- Strictly forbid fire, open flame and smoking.
- Follow safety regulations when dealing with refrigerant and chemical substances.
- Avoid contact with skin and eyes.

- Do not inhale refrigerant mist and vapours.
- Do not eat or drink while handling refrigerant.
- Keep suitable fire extinguishing agents ready for use.
- Allow only qualified specialists to work on refrigerant circuits.
- Use only KAESER approved operating materials.

**Noise**

The enclosure absorbs the machine noise to a tolerable level. This function will be effective only if the enclosure is closed.

- Operate the machine only with intact sound insulation.
- Wear hearing protection if necessary.

**Unsuitable spare parts**

Unsuitable spare parts compromise the safety of the machine.

- Use only spare parts approved by the manufacturer for use in this machine.
- Use only genuine KAESER replacement parts on pressure bearing parts.

**Conversion or modification of the machine**

Modifications, additions to and conversions of the machine can result in unpredictable hazards.

- Do not convert or modify the machine!
- Obtain written approval by the manufacturer prior to any technical modification or expansion of the machine, the controller, or the control programs.

**3.5.2 Safe machine operation**

The following information will provide you with the necessary rules to ensure safe handling of the machine during individual product life phases.

**Personal protective equipment**

When working on the machine you may be exposed to dangers that can result in accidents with severe adverse health effects.

- Wear protective clothing as necessary.

Suitable protective clothing (examples):

- Safety work wear
- Protective gloves
- Safety boots
- Eye protection (protective glasses)
- Ear protection

**Transport**

In order to prevent accidents, the weight and size of the machine require safety measures to be taken during its transport.

- Use suitable lifting gear that conform to local safety regulations.
- Allow transportation only by personnel trained in the safe movement of loads.

- Attach hoists only to suitable lifting points.
- Be aware of the center of gravity to avoid potential tipping.
- Make sure the danger zone is clear of personnel.
- Do not step onto machine components to climb up the machine.

### **Installation**

A suitable installation location for the machine prevents the potential for accidents and faults.

- Install the machine in a suitable compressor room.
- Ensure sufficient and suitable lighting such that the display can be read without glare and that work can be carried out comfortably and safely.
- Ensure accessibility so that all work on the machine can be carried out without danger or hindrance.
- If installed outdoors, the machine must be protected from frost, direct sunlight, dust, rain, and splashing water.
- Do not operate in areas in which specific requirements with regard to explosion protection are in force.
- Ensure adequate ventilation.
- Place the machine in such a manner that the working conditions in its environment are not impaired.
- Comply with limit values for ambient temperature and humidity.
- Ensure clean compressed air without damaging components.  
Damaging contaminants are for instance: explosive or chemically instable gases and vapours, acid or base forming substances such as ammonia, chlorine or hydrogen sulfide.
- Do not position the machine in the warm exhaust air flow from other machines.
- Keep suitable fire extinguishing agents ready for use.

### **Commissioning, operation and maintenance**

During commissioning, operation and maintenance you may be exposed to dangers resulting from, e.g., electricity, pressure and temperature. Careless actions can cause accidents with severe adverse effects for your health.

- Allow maintenance work to be carried out only by authorized personnel.
- Switch off and lock out / tag out the power supply disconnecting device and verify the absence of voltage.
- Check that the floating relay contacts are voltage-free.
- Close shut-off valves or otherwise isolate the machine from the compressed air network to ensure that no compressed air can flow back into the machine.
- Depressurize all pressurized components and enclosures. Verify the vented state.
- Allow the machine to cool down.
- Do not open the cabinet while the machine is switched on.
- Do not open or dismantle any valves.
- Use only spare parts approved by KAESER for use in this machine.

### **De-commissioning, storage and disposal**

Improper handling of old operating fluids and components represent a danger for the environment.

- Drain all fluids from the machine, e.g. refrigerant, and dispose of in accordance with local environmental regulations.
- Do not damage the refrigerant circuit.
- Give refrigerant only to authorized bodies for disposal.
- Dispose of the machine in accordance with local environmental regulations.

#### 3.5.3 Organizational Measures

- Designate personnel and their responsibilities.
- Give clear instructions on reporting faults and damage to the machine.
- Give instructions on fire reporting and fire-fighting measures.

#### 3.5.4 Danger Areas

The table gives information on the areas dangerous to personnel.

Only authorized personnel may enter these areas.

Activity	Danger area	Authorised personnel
Transport	Within a 10 ft. radius of the machine.	Installation personnel for transport preparation. No personnel during transport.
	Beneath the lifted machine.	No personnel!
Installation	Within the machine. Within 3 ft. radius of the machine and its supply cables.	Installation personnel
Operation	Within a 3 ft. radius of the machine.	Operating personnel
Maintenance	Within the machine.	Maintenance personnel
	Within a 3 ft. radius of the machine.	

Tab. 17 Danger Areas

## 3.6 Safety devices

Various safety devices ensure safe working with the machine.

- Do not change, bypass, or disable safety devices!
- Check safety devices for correct function regularly.
- Do not remove or obliterate labels and notices!
- Ensure that labels and notices are clearly legible!

Further information More information on safety devices is contained in chapter 4, section 4.6.

## 3.7 Safety signs

The illustration shows the location of the safety signs on the machine. The table lists the various safety signs used and their meanings.

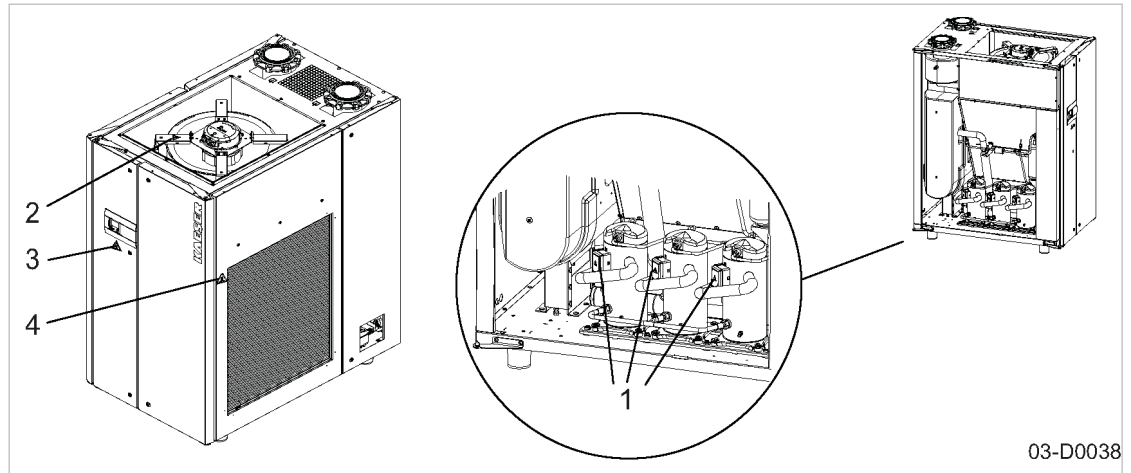


Fig. 4 Location of safety signs

Location	Symbol	Meaning
1		<p>Danger of fatal injury from electric shock!</p> <ul style="list-style-type: none"> <li>➤ Before starting any work on electrical equipment: Switch off and lock out/tag out the power supply disconnecting device and verify the absence of any voltage.</li> </ul>
2		<p>Danger of fatal injury from electrical voltage and charged capacitors!</p> <ul style="list-style-type: none"> <li>➤ Before starting any work on electrical equipment: Switch off and lock out/tag out the power supply disconnecting device and verify the absence of any voltage.</li> <li>➤ Following shutdown of the power supply disconnecting device, wait at least 5 minutes and check that no voltage is present, before opening the connector box.</li> </ul>
3		<p>Danger of fatal injury from electrical voltage and charged capacitors!</p> <ul style="list-style-type: none"> <li>➤ Before starting any work on electrical equipment: Switch off and lock out/tag out the power supply disconnecting device and verify the absence of any voltage.</li> <li>➤ Following shutdown of the power supply disconnecting device, wait at least 5 minutes and check that no voltage is present, before opening the control cabinet.</li> </ul>
4		<p>Hot surface!</p> <p>Risk of burns caused by contact with hot components.</p> <ul style="list-style-type: none"> <li>➤ Do not touch the surface.</li> <li>➤ Wear long-sleeved garments (no synthetics such as polyester) and protective gloves.</li> </ul>

Tab. 18 Safety signs

## **3.8 Emergency situations**

### **3.8.1 Correct fire fighting**

#### **Suitable measures**

Calm and prudent action can save lives in the event of a fire.

- Keep calm.
- Give the alarm.
- Shut off supply lines if possible.  
Power supply disconnecting device (all phases)  
Cooling water (if present)
- Warn and move endangered personnel to safety.
- Help incapacitated persons.
- Close the doors.
- When trained accordingly: Attempt to extinguish the fire.

#### **Extinguishing substances**

- Suitable extinguishing media:  
Foam  
Carbon dioxide  
Sand or soil
- Unsuitable extinguishing media:  
Strong jet of water

### **3.8.2 Treating injuries from handling refrigerant**

#### **Eye contact:**

Severe eye irritation, watering, reddening, and swelling of the eyelids.  
Risk of caustic burns and frostbite.

- Open eyelids wide to allow product to evaporate.
- Hold the eyelid wide and rinse the eye with running water.
- Consult an ophthalmologist if you experience lasting pains.

#### **Skin contact:**

Initially a sensation of chill, skin may redden subsequently.  
Risk of frostbite.

- Allow the product to evaporate.
- Rinse with lukewarm water.
- Consult a physician if experiencing lasting pain or reddened skin.

#### **Inhalation:**

At high concentrations, risk of cardiac irregularity (arrhythmia).  
At very high concentration, risk of asphyxia caused by oxygen deficiency.

- Remove victim to the fresh air.

- If necessary: respiration with respirator or administration of oxygen.
- Consult a physician if experiencing breathing or nerve complaints.

### **3.9 Warranty**

This operator manual contains no independent warranty commitment. Our general terms and conditions of business apply with regard to warranty.

A condition of our warranty is that the machine is used for the purpose for which it is intended under the conditions specified.

Due to the multitude applications for which the machine is suitable the obligation lies with the user to determine its suitability for his specific application.

In addition, we accept no warranty obligation for:

- the use of unsuitable parts or operating materials,
- unauthorized modifications,
- incorrect maintenance,
- incorrect repair.

Correct maintenance and repair includes the use of original spare parts and operating materials.

- Obtain confirmation from KAESER that your specific operating conditions are suitable.

### **3.10 Environment protection**

The operation of this machine may cause dangers for the environment.

- Do not allow refrigerants to escape into the environment or the sewage system.
- Store and dispose of operating materials and replaced parts in accordance with local environmental protection regulations.
- Observe national regulations.  
This applies in particular to parts contaminated with refrigerant.

## 4 Design and Function

### 4.1 Enclosure

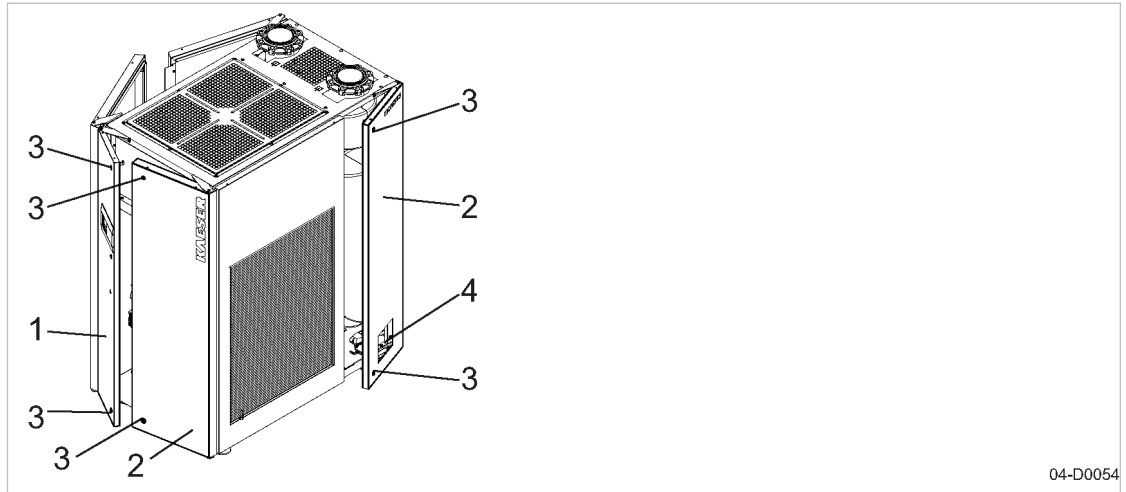


Fig. 5 Enclosure overview

- |   |                      |   |                     |
|---|----------------------|---|---------------------|
| ① | Control cabinet door | ③ | Snap fastener       |
| ② | Access panel         | ④ | Maintenance opening |

When closed, the enclosure serves various functions:

- Sound insulation
- Protection against contact with components
- Cooling air flow:

The enclosure is not suitable for the following uses:

- Walking on, standing on, or sitting on
- Loads of any kind should not be placed or stored on the machine

Safe and reliable operation is only assured with the enclosure closed.

Doors can be opened and (removable access) panels may be lifted.

Open the snap fastener with the supplied key.

### 4.2 Machine function

The description uses an air-cooled machine as an example.

The refrigerated dryer cools the compressed air. As the compressed air cools, its capacity to retain moisture reduces and the surplus is precipitated out as condensate. This condensate is separated and automatically drained off.



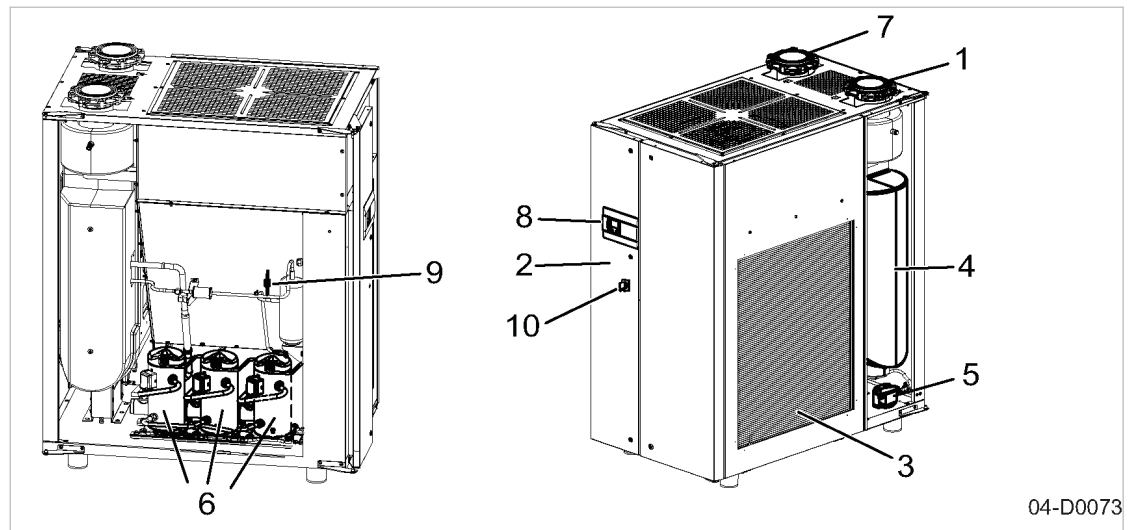


Fig. 6 Machine overview

- |   |  |   |   |
|---|--|---|---|
| ① | Compressed air inlet                     | ⑥ | Refrigerant compressor                          |
| ② | Control cabinet                          | ⑦ | Compressed air outlet                           |
| ③ | Refrigerant condenser                    | ⑧ | Operator panel (controller)                     |
| ④ | Heat exchanger with condensate separator | ⑨ | Pressure monitor                                |
| ⑤ | Condensate drain                         | ⑩ | Power supply disconnecting device (main switch) |

**First stage:**

Warm compressed air entering the first section of the heat exchanger gives up some of its heat to the chilled and dried compressed air leaving the dryer.

**Second stage:**

Further air cooling takes place in the second part of the heat exchanger through which refrigerant flows. The refrigerant gives up its heat to the surroundings in the refrigerant condenser.

**Third stage:**

A separation system integrated in the heat exchanger removes the condensate precipitated out of the compressed air as it is chilled. The condensate drain reliably drains the condensate from the separator.

**Fourth stage:**

The dry, chilled air takes in some heat from the inflowing warm compressed air in the first part of the heat exchanger. The relative humidity of the compressed air drops.

## 4.3 Operating points and control modes

### 4.3.1 Machine operating modes

#### STOP

The machine is connected to the power supply:

- The *Controller Voltage* indicator lights green.
- The machine is switched off.
- The *ON* indicator is extinguished.

#### READY

The machine has been activated with «ON»:

- The *ON* indicator lights green.
- The refrigerant compressors are switched off.
- The refrigerant compressors start one after another, as soon as the start conditions are met.

#### LOAD

The start conditions are met:

- At least one refrigerant compressor is running.

## 4.4 SECOTEC CONTROL

The basic requirement for this type of control is a high capacity thermal mass: SECOPACK LS combined with several refrigerant compressors.

Depending on the load, the controller switches the necessary number of refrigerant compressors on one after another, thus ensuring even loading. As soon as the temperature in the thermal mass is sufficiently low, the controller switches one or several refrigerant compressors off, as required. Due to the high storage capacity the pressure dew point remains stable for a long time.

As soon as there is a new requirement for refrigeration, the controller switches on the required number of refrigerant compressors in order to cool down the thermal mass again.

Advantages:

- Low power consumption
- Low strain on refrigerant compressors
- Low switching frequency

## 4.5 Electronic condensate drain

Condensate flows into the collecting tank.

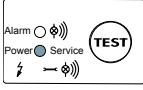
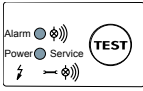
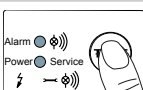
A sensor registers the level and signals this to the electronic control.

When the collecting tank is full, a valve opens automatically and drains the condensate.

The valve immediately closes when the condensate drain is empty. No compressed air is lost unnecessarily.

**4.5.1 Condensate drain operating states**

The operational state of the ECO-DRAIN condensate drain is indicated by three light-emitting diodes on the housing.

Display	Operating state	Function
	<i>Ready to operate</i>	Voltage is applied.
	<i>Fault/alarm</i>	Fault occurred. Valve opens and closes repeatedly in an attempt to clear the fault.
	Test the valve function	For manual draining, press and hold the key for at least 2 seconds.
	Test the alarm function	To test the alarm function, press and hold the key for at least 1 minute.

Tab. 19 Indication of the operational state of the condensate drain

**4.6 Safety devices**

The following safety devices are provided and may not be modified in any way:

- Main switch:  
The main switch also functions as a power supply disconnecting device. In the “0” position, the machine stops immediately.
- Safety pressure switch:  
The switch shuts down the machine as soon as the pressure of the refrigerant exceeds the permitted maximum. The switch is factory set.
- Enclosures and covers over moving parts and electrical connections:  
These protect against accidental contact.

**4.7 Floating contacts**

Floating contacts are provided for the transfer of signals/messages.

Information on location, loading capacity and type of message or signal can be found in the wiring diagram.



If the floating relay contacts are connected to an external power source, they may be under power even when the machine is disconnected from the supply.

## 4.8 SIGMA CONTROL SMART

### 4.8.1 Operating panel

#### Keys (mechanical)

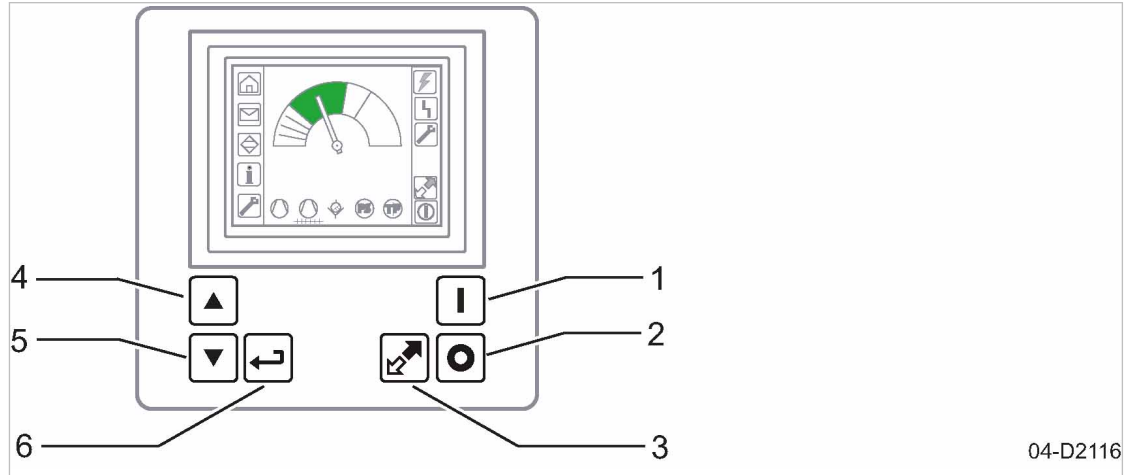


Fig. 7 Keys – overview

Item	Name	Function
1	«ON»	Switches the machine on.
2	«OFF»	Switches the machine off.
3	«Remote control»	Switches the remote control on and off.
4	«Up»	Scrolls up the menu options. Increases a parameter value.
5	«Down»	Scrolls down the menu options. Reduces a parameter value.
6	«Enter»	Jumps to the selected menu option. Switches to Edit mode. Exits the Edit mode and saves. Acknowledge the message.

Tab. 20 Keys (mechanical)

#### Keys (soft key)

The menu displays the following keys which can be controlled with the arrow keys.

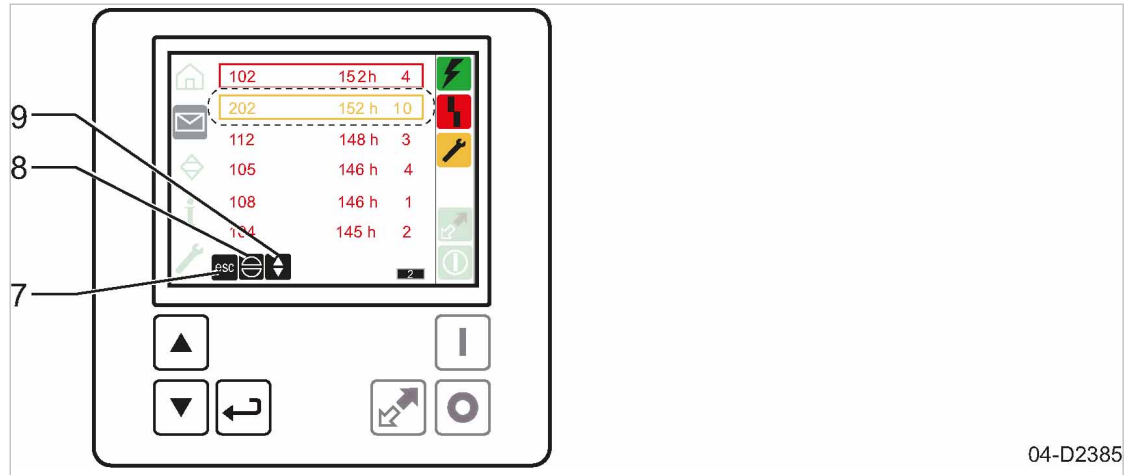


Fig. 8 Keys (soft key)

Item	Name	Function
7	esc	Returns to the next higher menu option level.
8	Acknowledgement	Acknowledges alarms and warning messages.
9		White: Use the «UP» and «DOWN» keys to navigate: <ul style="list-style-type: none"> <li>■ Press esc and Acknowledge</li> <li>■ Changing images in submenus</li> </ul> Gray: The «UP» and «DOWN» keys are inactive.

Tab. 21 Keys (soft key)

**Indicators**

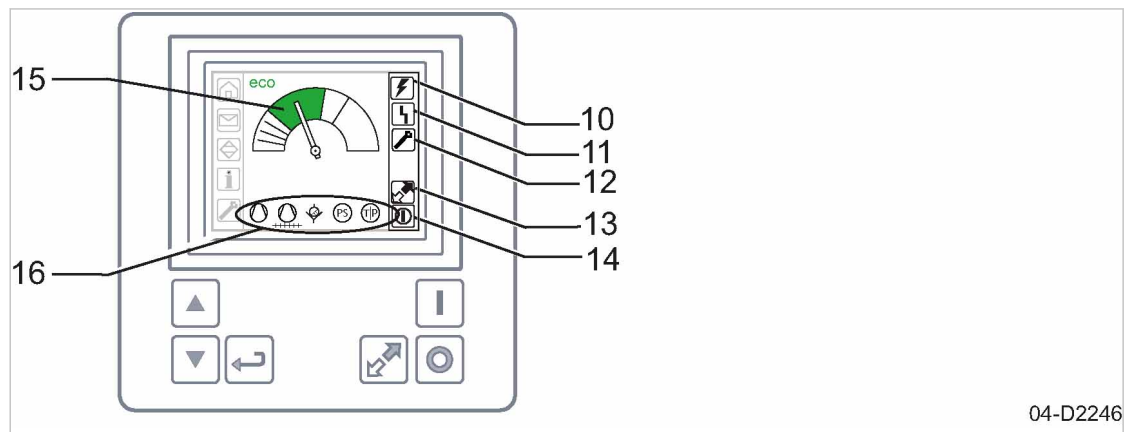


Fig. 9 Indicators

Item	Name	Function
10	Controller voltage	Lights green when the power supply is switched on.
11	Alarm	Flashes red when an alarm occurs. Lights continuously when acknowledged.

Item	Name	Function
12	<i>Warning/ Maintenance</i>	Continuous yellow light indicates a warning or maintenance message.
13	<i>Remote control</i>	Continuous yellow light when remote control is activated.
14	<i>ON</i>	Lights green when the machine is switched on.
15	<i>Dew point</i>	Indicates the dew point progress (trend display): <ul style="list-style-type: none"> <li>■ Blue: Pressure dew point too low</li> <li>■ Green: Optimal pressure dew point</li> <li>■ Yellow: Pressure dew point rising</li> <li>■ Red: High pressure dew point (message contact switches)</li> </ul>
	<i>eco</i>	Energy-saving operation
16	Indicates messages concerning individual components	From left to right: <ul style="list-style-type: none"> <li>■ Refrigerant compressor</li> <li>■ Refrigerant condenser</li> <li>■ Condensate drain</li> <li>■ Safety pressure monitor</li> <li>■ Machine sensors <ul style="list-style-type: none"> <li>– Temperature transducer</li> <li>– Pressure transducer</li> </ul> </li> </ul>

Tab. 22 Indicators

### 4.8.2 User operation SIGMA CONTROL SMART

#### Handling concept

Task	Procedure
Navigating the menu	<p>For navigating the menus, a cursor is provided to move the «UP» and «DOWN» keys. The current cursor position is indicated by inverse coloring.</p> <p>Use the «Enter» key to switch, for example, from the main menu into a sub-menu. If a single menu is too large, the information is provided in several numbered screens (images). The corresponding symbol in the Main menu appears somewhat darker in this case.</p>
Changing parameters	<p>To change parameters, navigate to an entry and confirm with «Enter».</p> <p>This enables you to use the «UP» and «DOWN» keys to change values or activate/deactivate check boxes:</p> <ul style="list-style-type: none"> <li>■ Check box activated: ✓</li> <li>■ Check box deactivated: □</li> </ul> <p>Confirm your selection with «Enter». The change is now active.</p>

Tab. 23 Handling concept

Main menu

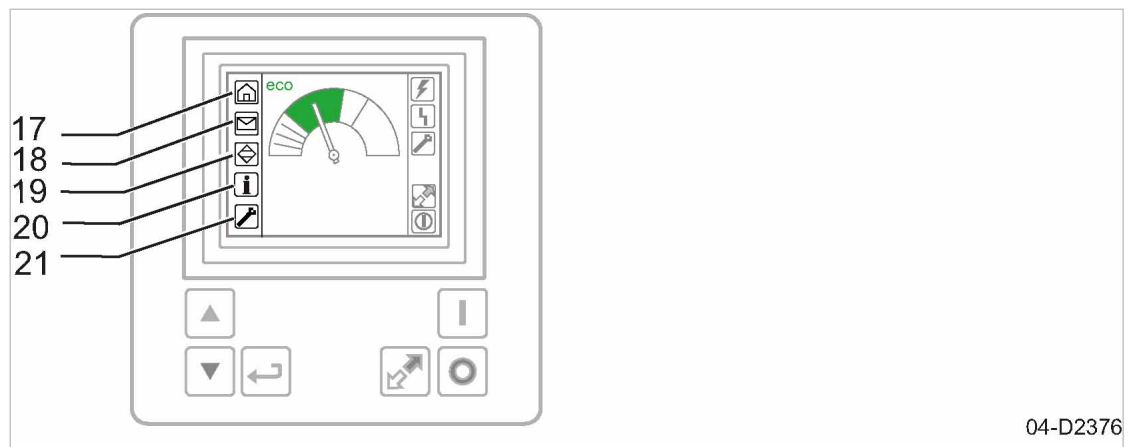


Fig. 10 Main menu

Item	Designation	Description
17	Opening page	Display: Pressure dew point
18	<Messages>	The following events (messages) are saved: <ul style="list-style-type: none"> <li>■ Faults</li> <li>■ Warnings</li> </ul> <p>The machine shuts down when an alarm message is triggered.</p>
19	<Flow diagram>	Displays all control-relevant sensors and actuators.
20	<Information>	Display: Operating hours Setting option for temperature limits and units.
21	<Service>	Displays maintenance tasks to be performed and the maintenance timer.

Tab. 24 Main menu

Color concept

Different colors indicate the various operating states.

Color	Meaning
White	Component is shut down. For sensors: The activation criteria is not met
Green	Component is switched on. For sensors: The activation criteria is met Measured value in normal range.
Yellow	Warning or maintenance message for a component Measured value in critical range.
Red	Fault in a component. Measured value in impermissible range. The machine will be shut down

Tab. 25 Color concept

### 4.8.3 Start screen

The start screen is displayed during normal operation. The controller automatically switches to this screen if you don't activate a key for three minutes.

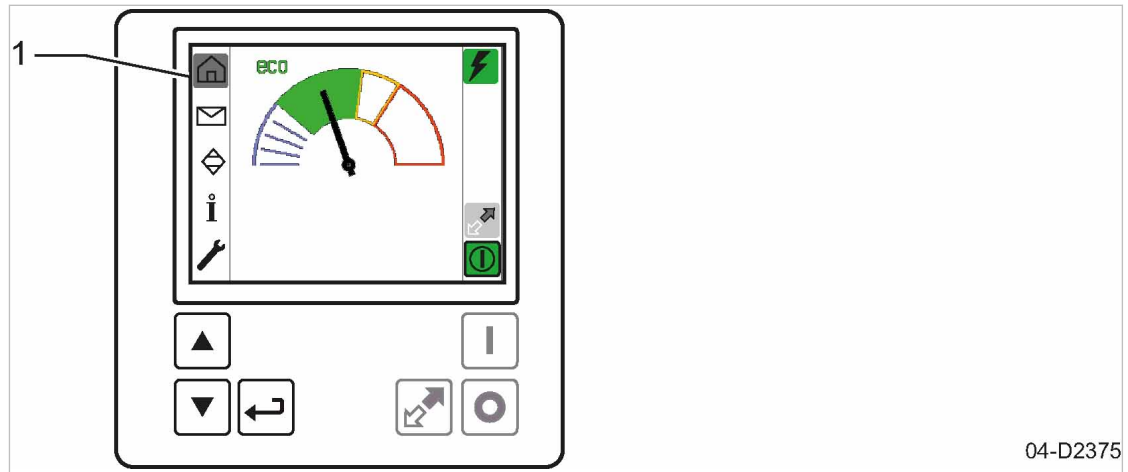


Fig. 11 Start screen

- ① Active start screen

### 4.8.4 Messages menu

All messages reported in the past are listed and displayed in the color of their classification:

- Warning/maintenance message: Yellow
- Alarm message: Red

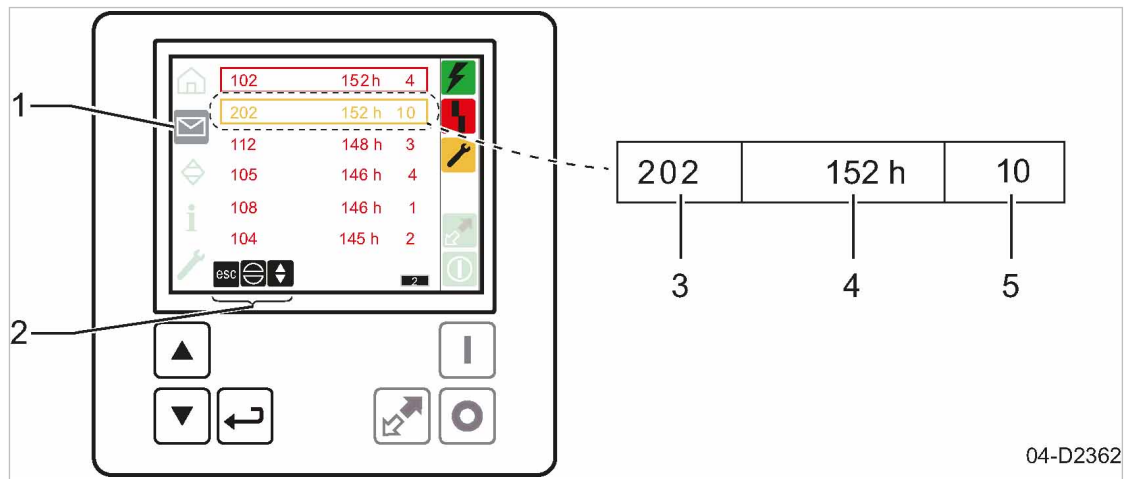


Fig. 12 Event history

- ① <Messages>
- ② Additional navigation options:  
Escape  
Acknowledgement
- ③ Message number (example: 202)
- ④ Operating hour during which the message had been issued the last time (example: 152 h)
- ⑤ Frequency of occurrence (example: 10)

Use the «UP» or «DOWN» keys to select the <Message> menu.

Press «Enter» to open the corresponding screen.



Active faults or warnings which have not yet been acknowledged are indicated by a flashing frame. Acknowledged messages are framed as long as the cause for the message is not resolved.

This frame disappears as soon as the message cause has been resolved. This is also the case if it is a message which does not require acknowledgement.

Further information See chapter 9.2 for a list of all message codes.

### 4.8.5 "Flow diagram" menu

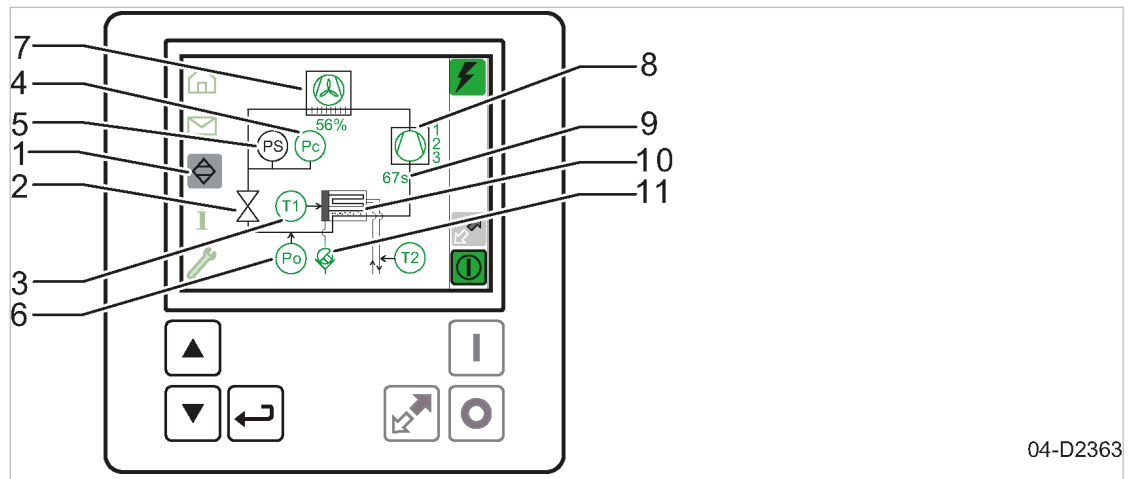


Fig. 13 Flow diagram

- |  |  |
|--|--|
| ① <Flow diagram>                             | ⑦ Refrigerant condenser:<br>Fan motor (speed in percentage of maximum speed)                     |
| ② Expansion valve: thermostatic              | ⑧ Refrigerant compressor<br>(displayed number indicates which refrigerant compressor is running) |
| ③ Temperature transducer                     | ⑨ Run time of the refrigerant compressor in the current cycle                                    |
| ④ Pressure transducer: Condensation pressure | ⑩ Heat exchanger   |
| ⑤ Pressure monitor                           | ⑪ Condensate drain   |
| ⑥ Pressure transducer: Evaporation pressure  |  |

Use the «UP» or «DOWN» keys to select the <Flow diagram> menu.

The <Flow diagram> menu provides a simplified overview of the components with supplementary information.

For a complete <flow diagram>, see chapter 13.2.

The various colors used to display the components indicate their operating states.

### 4.8.6 "Information" menu

Use the «UP» or «DOWN» keys to select the <Information> menu. This menu comprises several screens.

Press «Enter» to open the first screen.

#### 4.8.6.1 Screen 1

The system displays the operating hours of the individual machine components. You cannot modify any settings.

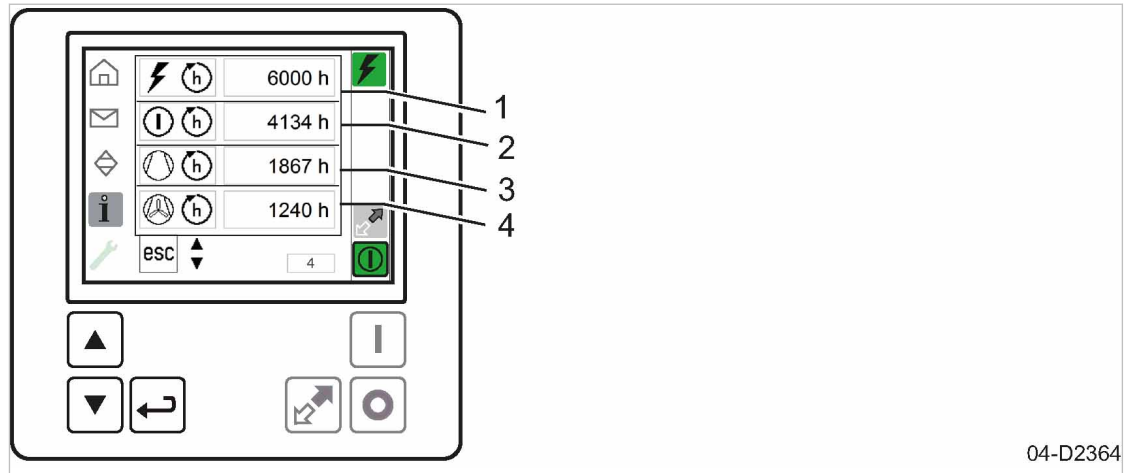


Fig. 14 Information: Screen 1

- ① Number of operating hours during which the controller is under power (here: 6000 h).
- ② Number of operating hours during which the machine was switched on (here: 4134 h).
- ③ Number of operating hours of refrigerant compressor 1 (here: 1867 h). (Due to the even load of the refrigerant compressors the operating hours specified apply to all refrigerant compressors).
- ④ Number of operating hours of the fan motor (here: 1240 h).

4.8.6.2 Screen 2

Use «DOWN» to open the next screen.

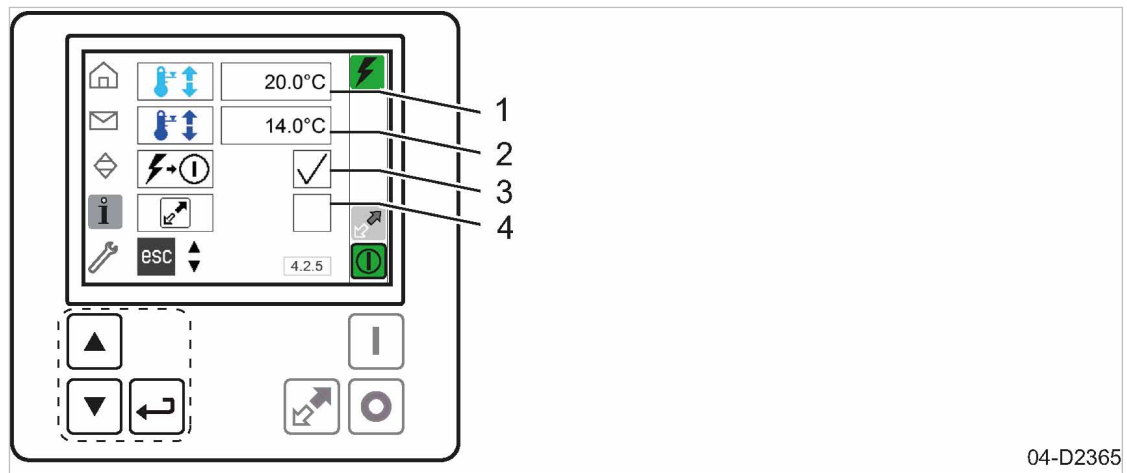


Fig. 15 Information: Screen 2

- ① Red warning range (here: 20.0 °C)
- ② Yellow warning range (here: 14.0 °C)
- ③ Automatic restart (here: active)
- ④ Remote control (here: inactive)

You can modify the following settings in this screen.

- Pressure dew point: Pressure dew point: Specify the lower temperature limit for the red warning range.
- Pressure dew point: Pressure dew point: Specify the lower temperature limit for the yellow warning range.

- Activate/deactivate automatic restart after a power failure:
- Activate/deactivate the «Remote control» key

#### 4.8.6.3 Screen 3

Use «DOWN» to open the next screen.

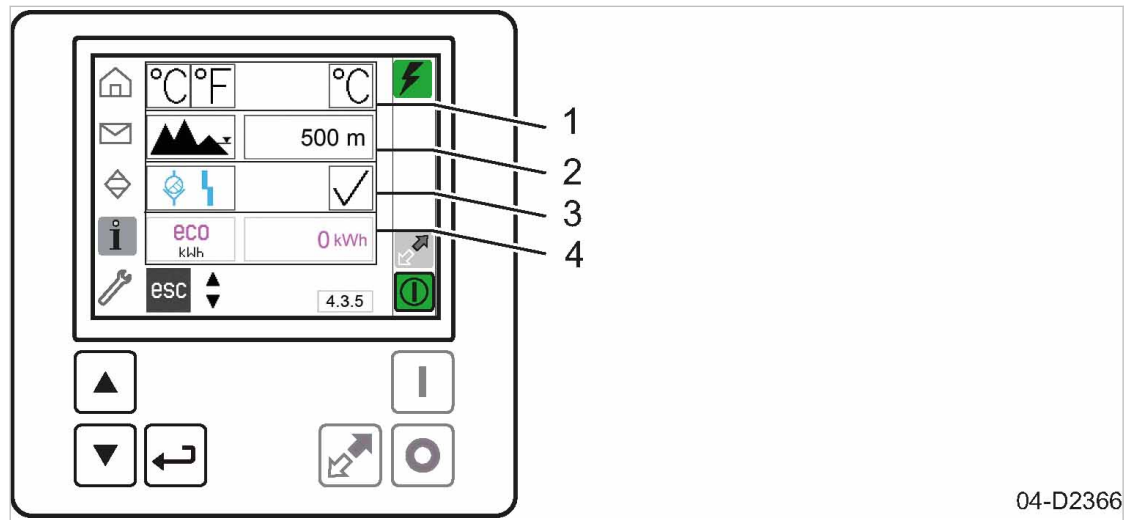


Fig. 16 Information: Screen 3

- |   |  |
|---|--|
| <ul style="list-style-type: none"> <li>① Units of measure used (here: °C)</li> <li>② Installation altitude (here: 500 m)</li> </ul> | <ul style="list-style-type: none"> <li>③ Condensate drain: Activate fault message (here: Fault message activated)</li> <li>④ Electric energy saved with "eco" operation</li> </ul> |
|---|--|

You can change the following settings in this screen:

- Setting the unit of measurement:
  - Parameter °C: Temperature in “°C”, pressure in “bar” and length in “m”
  - Parameter °F: Temperature in “°F”, pressure in “psi” and length in “feet”
- Adjust installation altitude:
  - Adjustment range: 0 m to 4000 m (default setting 500 m)
  - Above 1000 m the altitude setting must always be adjusted.

- Activate or deactivate fault message:

In the delivery condition a fault message is output at the condensate drain in the event of a fault. The refrigeration dryer continues running.

If you activate the fault message, the control additionally reports a fault. This is only output if the condensate drain was malfunctioning for the duration of 10 min without interruption. The refrigerated dryer switches off.

#### 4.8.7 Service menu

Use the «UP» or «DOWN» keys to select the <Service> menu. This menu may consist of several screens.

Press «Enter» to open the first screen.

##### Screen 1: Condensate drain

It is not possible to change the start value.

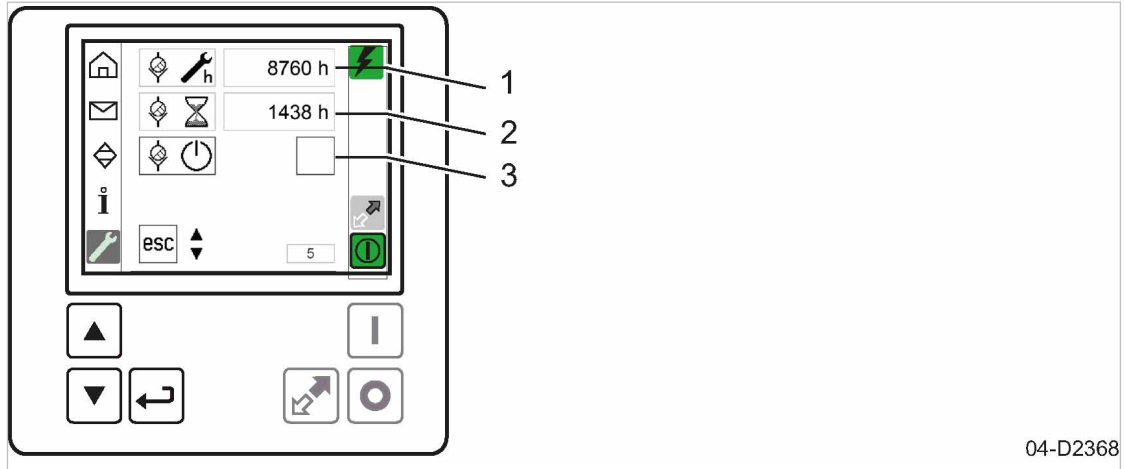


Fig. 17 Screen 1: Condensate drain

- ① Start value of the maintenance counter (example: 8760 h)
- ② Remaining operating hours to the next due maintenance (example: 1438 h)
- ③ Resetting the maintenance interval counters: activate/deactivate

To reset the maintenance hours counter to its start value, activate the check box and confirm with «Enter».

**Option K1 Screen 2: Refrigerant condenser**

It is possible to change the start value and adjust the maintenance interval for your individual operating conditions.

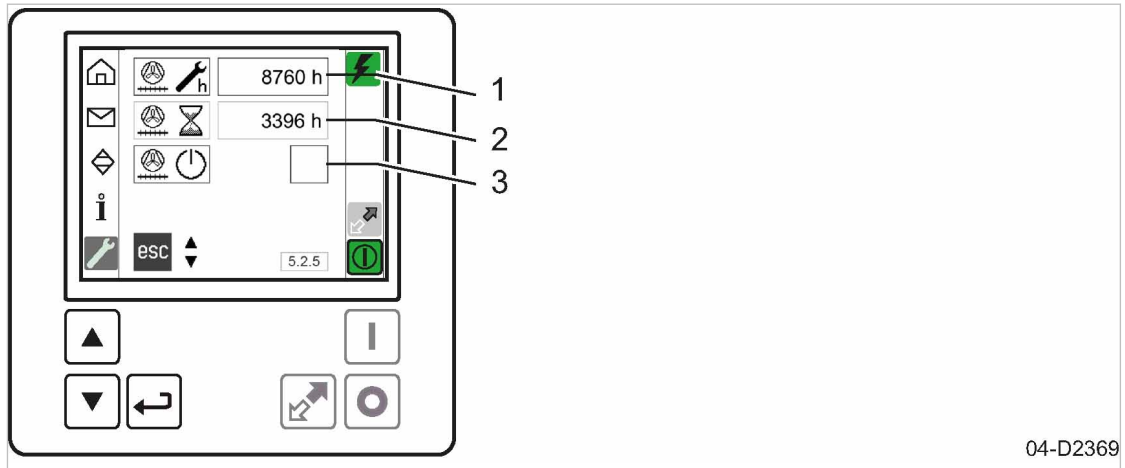


Fig. 18 Screen 2: Refrigerant condenser

- ① Start value of the maintenance counter (example: 8760 h)
- ② Remaining operating hours to the next due maintenance (example: 3396 h)
- ③ Resetting the maintenance interval counters: activate/deactivate

To reset the maintenance hours counter to its start value, activate the check box and confirm with «Enter».

## 4.9 MODBUS TCP communication module

The MODBUS TCP communication module is designed for the communication between SIGMA CONTROL SMART and SIGMA AIR MANAGER 4.0.

As an alternative to SIGMA AIR MANAGER 4.0, you can use MODBUS TCP to connect third-party controllers.

In this case, please contact an authorized KAESER service representative.

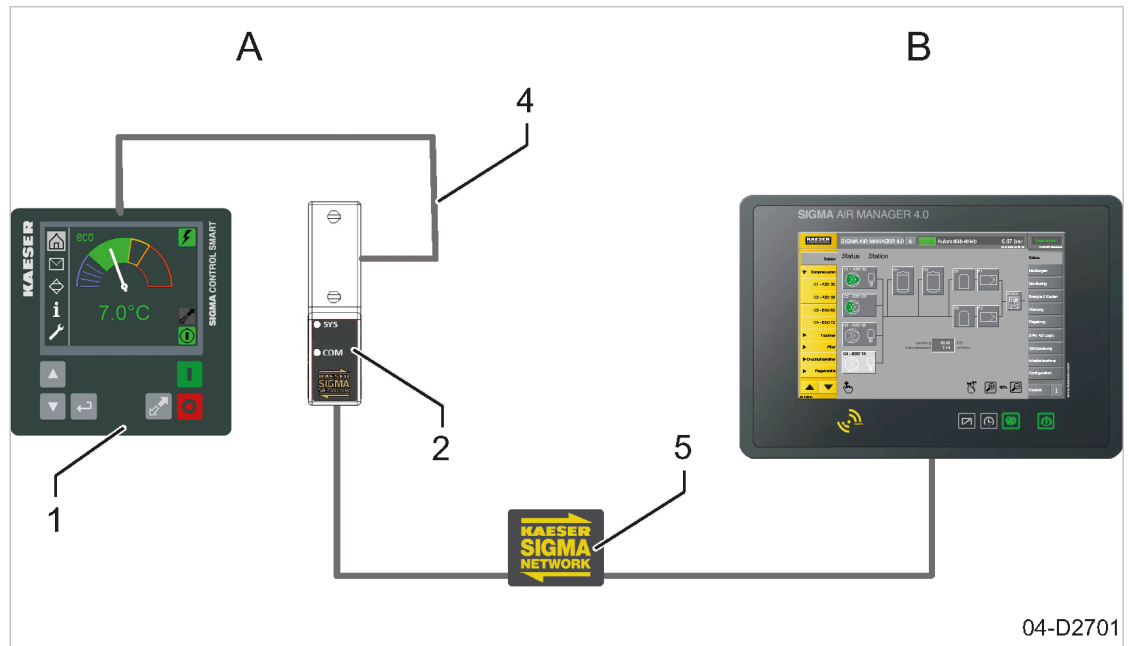


Fig. 19 Installation variant with SIGMA AIR MANAGER 4.0

- |                                      |                           |
|--------------------------------------|---------------------------|
| (A) Refrigerated dryer               | (B) SIGMA AIR MANAGER 4.0 |
| (1) SIGMA CONTROL SMART              | (4) CAN bus cable         |
| (2) MODBUS TCP communications module | (5) SIGMA NETWORK cable   |

### 4.9.1 Display and operating elements of the communications module



The plug-in communications module communicates with SIGMA CONTROL SMART (SCS) via CAN bus (X2).

The plug-in communications module is equipped with these operating elements, displays and connections:

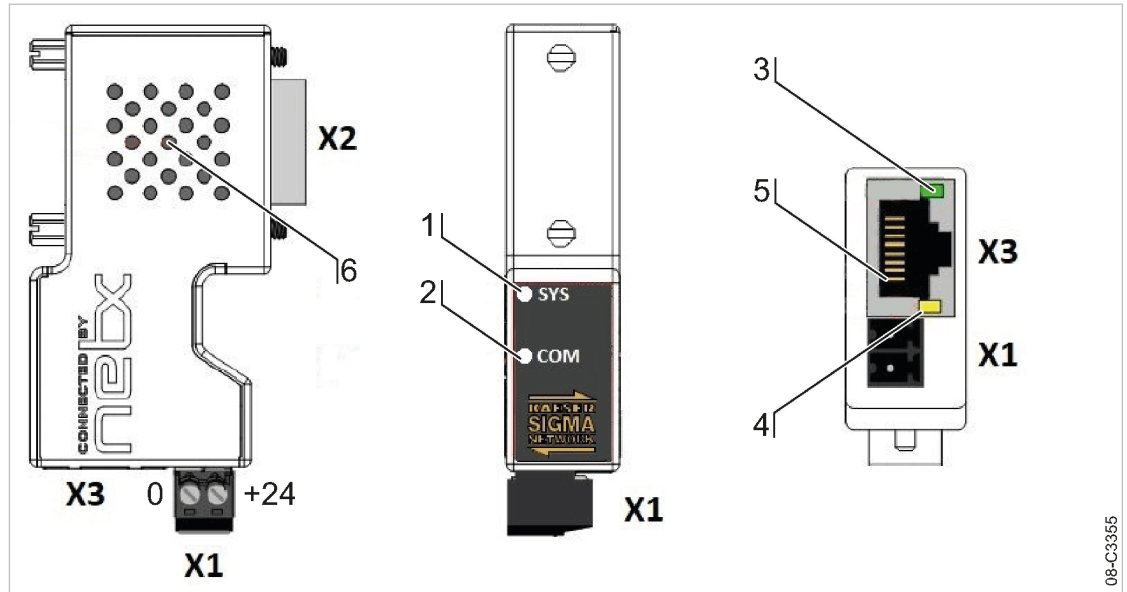


Fig. 20 Operating elements, displays and connections of the communications module

Item	Designation	Color	Status	Description
	X1	–	–	Supply voltage: 24 VDC
	X2	–	–	CAN, 9-pole sub D plug
	X3	–	–	Ethernet, RJ45 socket
1	SYS LED system status	Green	on	Standard operation, firmware started
		Yellow	on	Transition state
		Yellow/ green	flashes	Activating the communications module is in progress
		–	off	No supply voltage
2	COM LED communication	Green	on	Standard operation, CAN and Ethernet communication running
		–	off	RESET button pressed
		Red	flashes 1x/s	CAN communication malfunction / Ethernet communication running
		Red	flashes 2x/s	Ethernet communication malfunction / CAN communication running
3	Ethernet LINK LED	Green	off	No connection
			on	Connection established
4	Ethernet ACT LED	Yellow	off	No Ethernet communication
			flashes	Ethernet communication running
5	–	–	–	Pin 1
6	RESET key in housing underneath opening	–	–	Pressing the key with a suitable object for more than 3 s will reset the IP settings (IP address, SubNetMask, Gateway) to the factory setting

Tab. 26 Plug-in communications module – operating elements, displays and connections

These displays illuminate during operation:

- The SYS LED illuminates green during standard operation of the communications module
- The COM LED illuminates green during communication between SIGMA CONTROL SMART and the bus master (SAM 4.0 or Modbus TCP control system)
- The Ethernet LINK LED illuminates green if connection to the Ethernet network is established
- The Ethernet ACT LED flashes yellow during running Ethernet communication

## 4.10 Options

The options available for your machine are described below.

### 4.10.1 Option C37 Floating contact "Refrigerated compressor runs"

This floating contact switches as soon as at least one of the refrigerated compressor runs. This contact can be used to switch an exhaust air flap.

### 4.10.2 Option C36 Pressure dew point warning

This floating relay contact switches as soon as the pressure dew point exceeds the permissible range. It is automatically reset when the pressure dew point drops back to an acceptable range.

### 4.10.3 Option H1 Machine Mountings

These mountings allow the machine to be anchored firmly to the floor. Details of the fixing holes are contained in the dimensional drawing in chapter 13.1.



Fig. 21 Machine Mountings

- ① Machine mounting
- ② Holes for anchor bolts to fix the mounting to the floor.

### 4.10.4 Option K2 Water-cooling

Water-cooled machines are equipped with a plate-type heat exchanger in stainless steel as a condenser.

A cooling water regulating valve controls the flow depending on the supply temperature of the cooling water.

The cooling water regulating valve closes fully when the refrigerant compressor is shut down.

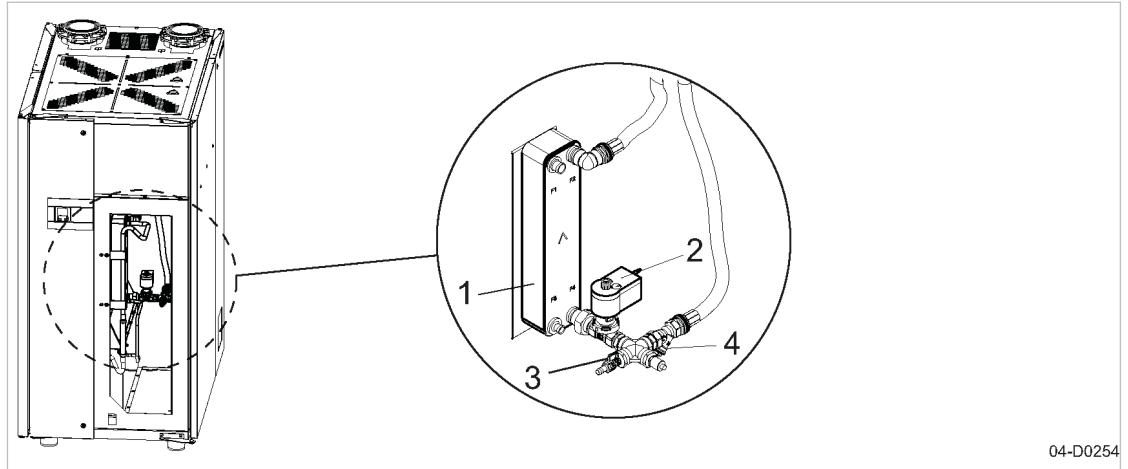


Fig. 22 Water-cooling

- |   |                                |   |                |
|---|--------------------------------|---|----------------|
| ① | Refrigerant condenser          | ③ | Shut-off valve |
| ② | Cooling water regulating valve | ④ | Dirt trap      |

## 4.11 Accessories

### 4.11.1 Transformer

The transformer allows you to connect the machine to different main voltages.



## 5 Installation and Operating Conditions

### 5.1 Ensuring safety

The conditions in which the machine is installed and operated have a decisive effect on safety. Warning instructions are located before a potentially dangerous task.



Disregard of warning instructions can cause serious injuries!

#### Complying with safety warnings

Disregard of safety warnings can cause unforeseeable dangers!

- Strictly forbid fire, open flame, and smoking.
- If welding is carried out on or near the machine take adequate measures to ensure that no parts of the machine can ignite because of sparks or heat.
- Do not store inflammable material in the vicinity of the machine.
- The machine is not explosion-proof!  
Do not operate in areas in which specific requirements with regard to explosion protection are in force.
- Ensure sufficient and suitable lighting such that the display can be read and work carried out comfortably and safely.
- Keep suitable fire extinguishing agents ready for use.
- Ensure that required ambient conditions are maintained.

Required ambient conditions may be:

- Maintain ambient temperature and humidity
- Ensure the appropriate composition of the air within the machine room:
  - clean with no damaging contaminants (e.g., dust, fibers, fine sand)
  - free of explosive or chemically unstable gases or vapors
  - free of acid/alkaline forming substances, particularly ammonia, chlorine or hydrogen sulfide.

### 5.2 Installation conditions

#### 5.2.1 Determining location and clearances

The machine is intended for installation in an appropriate machine room. Information on distances from walls and ventilation is given below.

Precondition The floor must be level, firm, and capable of bearing the weight of the machine.

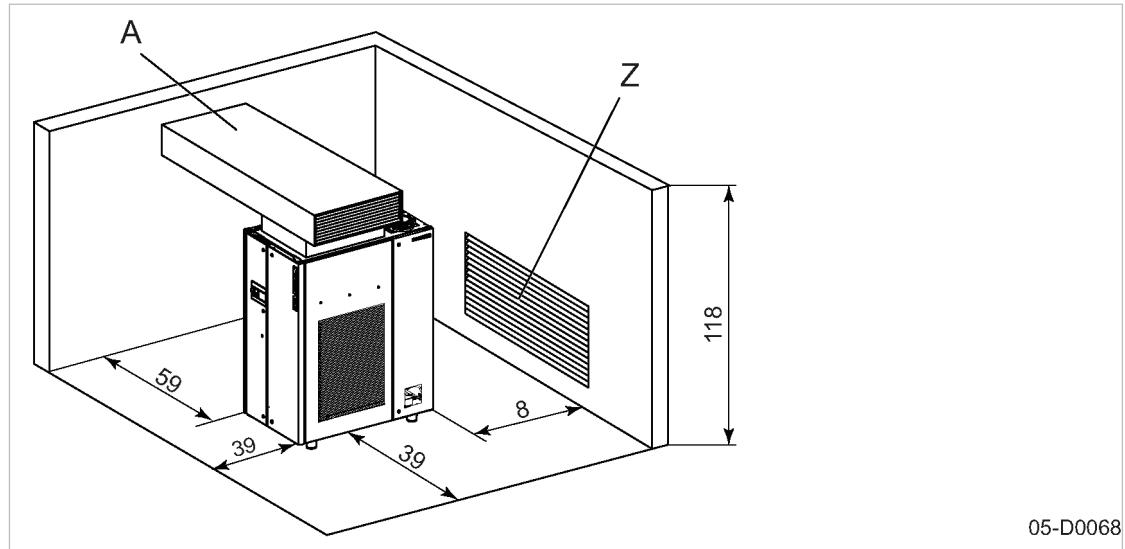


Fig. 23 Recommended machine placement and dimensions [in]

- (A) Exhaust air duct
- (Z) Air inlet aperture

1. **NOTICE** *Ambient temperature too low!*  
*Frozen condensate can damage the machine when starting.*  
➤ *Switch the machine on only when the minimum switch-on temperature is reached.*
2. Consult KAESER for measures where there is a risk of frost.
3. Ensure that all intake and exhaust apertures of the enclosure remain opened.
4. Ensure accessibility and adequate lighting so that all work on the machine can be carried out without danger or hindrance.
5. Ensure that the displays can be read without glare and that the controller display is protected from damage by direct sunlight (UV radiation).
6. If installed outdoors, protect the machine against frost, direct sunlight, dust, and rain.

## 5.2.2 Ensuring the machine room ventilation

Adequate ventilation of the machine room fulfils several functions:

- It prevents a vacuum in the machine room.
- It evacuates the exhaust heat of the machine and thus ensures the required operating conditions.



- Consult KAESER if you cannot ensure the conditions for adequate ventilation of the machine room.

1. Ensure that the flow rate of fresh air is at least the same as the flow rate taken by the machine and exhaust fan from the machine room.
2. Keep the inlet and exhaust apertures free of obstructions so that the cooling air can flow freely through the room.
3. Do not install the machine in the exhaust air flow from other machines.
4. Ensure clean air in order to support the proper functioning of the machine.

### 5.2.3 Exhaust air duct design

At the cooling air inlet and exhaust, the machine can only overcome the air resistance by means of the corresponding duct design. Any additional air resistance will reduce airflow and deteriorate machine cooling.

- Consult the KAESER SERVICE representative before deciding on:
  - Design of the exhaust air duct
  - Transition between the machine and the exhaust air duct
  - Length of the ducting
  - Number of duct bends
  - Design of flaps or shutters

Further information Further information on the design of exhaust air ducts can be found in chapter 13.1.

## 5.3 Operating the machine in a compressed air network

If the machine is integrated into a compressed air network, the specified maximum working pressure must not be exceeded.

When charging a fully vented air network there is generally a very high rate of airflow through the air treatment devices. These conditions are detrimental to correct air treatment. The compressed air quality drops.

To ensure the desired air quality when charging a vented air network, we recommend the installation of an air-main charging system.

- Consult KAESER for advice on this subject.

## 6 Installation

### 6.1 Ensuring safety

Follow the instructions below for safe installation.

Warning instructions are located prior to a potentially dangerous task.



Disregarding warning instructions can cause serious injuries!

#### Complying with safety instructions

Disregarding safety instructions can cause unforeseeable dangers.

- Follow the instructions in chapter 3 "Safety and Responsibility".
- Have the installation carried out only by personnel trained in refrigeration engineering.
- Make sure that no one is working on the machine.
- Ensure that all service doors and panels are locked.

#### Working on live components

Touching voltage carrying components can result in electric shocks, burns, or death.

Dangerous voltages persist at the terminals of the fan motor and intermediate circuit capacitors in the control cabinet for some time after power is switched off.

- Work on electrical equipment may be carried out only by authorized electricians.
- Switch off and lock out / tag out the power supply disconnecting device and verify the absence of voltage.
- Before starting work on the control cabinet or the fan, wait at least 5 minutes after the power supply disconnecting device has been switched off.
- Check that the floating relay contacts are voltage-free.

#### Working on the compressed air network

Compressed air is contained energy. Uncontrolled release of this energy can cause serious injury or death. The following safety instructions relate to any work on components that could be under pressure.

- Close shut-off valves or otherwise isolate the machine from the compressed air network to ensure that no compressed air can flow back into the machine.
- Fully vent all pressurized components and enclosures.
- Do not open or dismantle any valves.

#### Working on the drive system

Touching voltage carrying components can result in electric shocks, burns, or death.

Touching the fan while the machine is switched on can result in serious injury.

- Switch off and lock out / tag out the power supply disconnecting device and verify that no voltage is present.
- Do not open the cabinet while the machine is switched on.

Further information

Information regarding authorized personnel can be found in chapter 3.4.2.

Information regarding dangers and their avoidance can be found in chapter 3.5.

## 6.2 Reporting Transport Damage

1. Check the machine for visible and hidden transport damage.
2. Inform the carrier and the manufacturer in writing of any damage without delay.

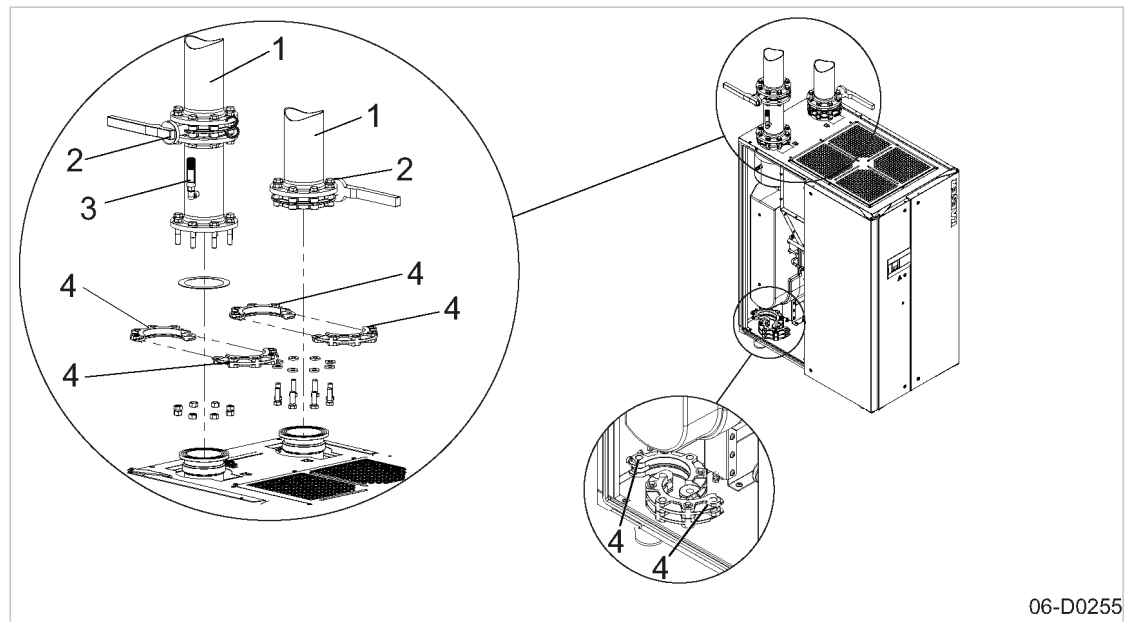
## 6.3 Creating the air connection



Condensate in the compressed air network can damage the piping:

- Install only corrosion-resistant piping.
- Use fluoroelastomers as the material for the seals.
- Observe the electrochemical voltage sequence.
- Consult with KAESER concerning suitable materials for the compressed air network.

Precondition The compressed air network is vented completely to atmospheric pressure.



06-D0255

Fig. 24 Air connection

- |                       |                              |
|-----------------------|------------------------------|
| ① Compressed air line | ③ Safety relief valve (user) |
| ② Shut-off valve      | ④ Loose flange (split)       |

1. **⚠ WARNING** *Serious injury or death can result from loosening or opening components under pressure!*
  - Fully vent all pressurized components and enclosures.
2. Remove loose flange from the bottom of the machine and install on the air connections.
3. Fit shut-off valves in the compressed air inlet and outlet.
4. **NOTICE** *The machine's compressed air system is internally not protected against any exceeding of the maximum working pressure.*
  - The user must install a safety relief valve.
5. Screw the air connections to the compressed air line.

Further information The dimensional drawing in chapter 13.1 gives the size and location of the connection ports.

## 6.4 Connecting the condensate drain

A threaded hose connection is provided to attach a condensate line.



The condensate must be able to drain freely.

- Only machines for which the maximum working pressure does not exceed the maximum permissible working pressure of the machine may be connected to the condensate collecting line.

Fig. 25 illustrates a recommended installation.

Condensate flows downward into the condensate collection pipe. This prevents condensate flowing back to the machine.

If condensate flows at several points into the condensate collection pipe, you must install shut-off valves in the condensate lines to shut the condensate lines off before commencing maintenance work.

### Condensate line

Feature	Value
Max. length <sup>1)</sup> [ft]	49
Max. delivery head [ft]	16
Material (pressure-resistant, corrosion-proof)	Copper Stainless steel Plastic Hose line

<sup>1)</sup> For longer lengths, please contact the manufacturer before installation.

Tab. 27 Condensate line

### Condensate collection pipe

Characteristic	Value
Gradient [%]	>1
Max. length <sup>1)</sup> [ft]	66
Material (pressure-resistant, corrosion-proof)	Copper Stainless steel Plastic Hose line

<sup>1)</sup> For longer lengths, please contact KAESER before installation.

Tab. 28 Condensate collection pipe

Compressed air flow rate <sup>1)</sup> [cfm]	Line cross-section ["]
<350	3/4
350 – 705	1
706 – 1410	1 1/2

<sup>1)</sup> Compressed air flow rate as guide for the condensate volume to be expected

Compressed air flow rate <sup>1)</sup> [cfm]	Line cross-section ["]
>1410	2

<sup>1)</sup> Compressed air flow rate as guide for the condensate volume to be expected

Tab. 29 Condensate collection pipe: Line cross-section

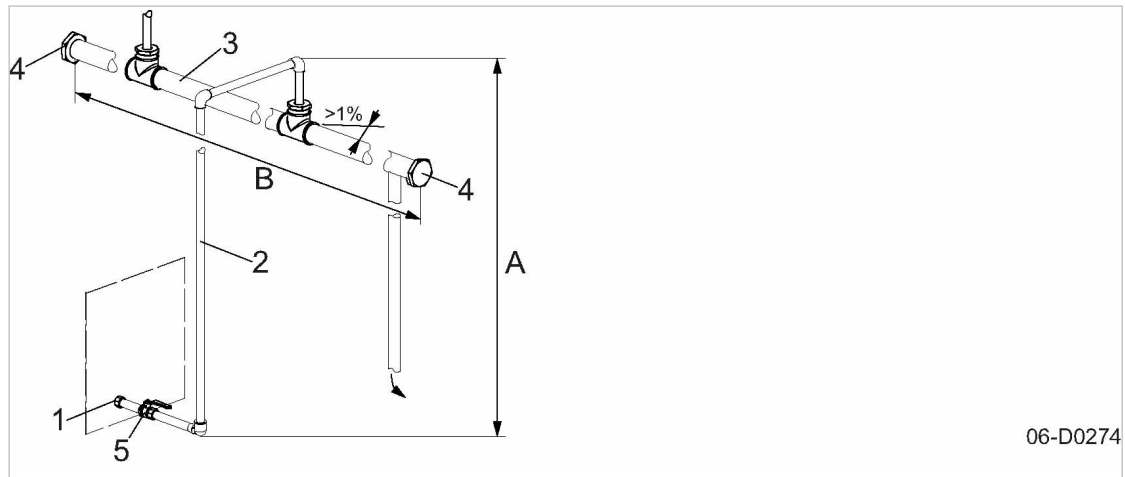


Fig. 25 Connect the condensate drain

- |                              |  |
|------------------------------|--|
| ① Threaded connection        | ⑤ Shut-off valve                           |
| ② Condensate line            | Ⓐ Delivery head                            |
| ③ Condensate collection pipe | Ⓑ Length of the condensate collection pipe |
| ④ Screw plug                 |  |

Depending on the machine model, you may have several condensate drains.

➤ Directly connect every condensate drain to the condensate collection pipe.



➤ Collect the condensate in a suitable container and dispose of it in accordance with applicable environmental regulations.

Further information The dimensional drawing in chapter 13.1 provides the size and position of the connection port.

## 6.5 Connecting the machine to the power supply

Precondition The power supply disconnecting device is switched off, lock out and tag out the device, the absence of any voltage has been verified.

1. The power supply must only be connected by authorized installation personnel or an authorized electrician.
2. Carry out safety measures as stipulated in relevant regulations and in national accident prevention regulations. In addition, observe the regulations of the local electricity supplier.
3. Test the overload protection cut-out to ensure that the time it takes to disconnect in response to a fault is within the permitted limit.
4. Select supply cable conductor cross-sections and fuse rating in accordance with local regulations.

## 6 Installation

### 6.6 Connecting the MODBUS TCP communications module with SIGMA AIR MANAGER 4.0

5. **⚠ DANGER** *Danger of fatal injury from electric shock!*
  - *Switch off and lock out / tag out the power supply disconnecting device and verify the absence of voltage.*
6. Connect the machine to the power supply.

Further information The wiring diagram in chapter 13.3 contains further details regarding the electrical power supply connection.

## 6.6 Connecting the MODBUS TCP communications module with SIGMA AIR MANAGER 4.0

The MODBUS TCP communications module is installed at the factory.

### 6.6.1 Communication with SIGMA AIR MANAGER 4.0

- Use the KAESER SIGMA NETWORK to connect the communications module with SIGMA AIR MANAGER 4.0.  
See the SIGMA AIR MANAGER 4.0 operating manual for more information about the connection options.

### 6.6.2 Communication with the user's (central) control system.

- Connect the communications module via MODBUS TCP with the user's (central) control system.  
Contact an authorized KAESER service representative for more information regarding the connection options.

## 6.7 Options

### 6.7.1 Option H1 Anchoring the machine

- Use appropriate fixing bolts to anchor the machine.

Further information Details of the fixing holes are contained in the dimensional drawing in chapter 13.1.

### 6.7.2 Option K2 Connecting the water cooling



- Take the electrochemical series into consideration and choose suitable materials for water connections.
- Keep the effect of pressure surge on the cooler as low as possible.
- Install an expansion tank to act as a damper if pressure surges cannot be avoided.
- Avoid a low inlet temperature for the cooling water as it can cause condensation. If required, contact an authorized KAESER service representative for suitable insulation measures.



Temperature-controlled cooling water supply systems, to which numerous machines are connected, regulate water flow rate according to the difference in temperature between the supply and the return water. Individual machines may not receive an adequate cooling water flow rate with this system. Breakdowns are the result.



➤ KAESER can advise on how to ensure the cooling water supply via suitable control valves.

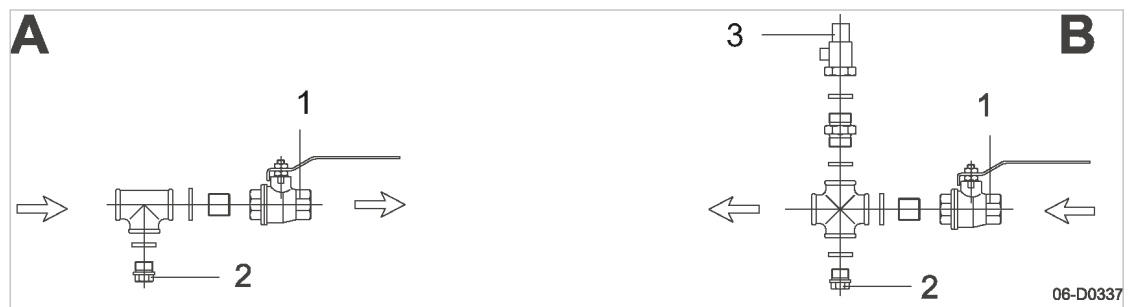


Fig. 26 Connecting the water cooling

- |  |   |
|--|---|
| <p>(A) Cooling water outlet</p> <p>(B) Cooling water inlet</p> <p>(1) Shut-off valve</p> | <p>(2) Connection port with plug</p> <p>(3) Safety relief valve</p> |
|--|---|

1. The user is to provide the following fittings:
  - Dirt trap with max. 0.004 in. strainer mesh
  - Shut-off valve (1) and connection port (2) for maintenance and venting.
  - Safety relief valve (3) to prevent build-up of excessive pressure.  
Actuating pressure and blow-off capacity of the safety relief valve are governed by the user's installation design. The technical specification of the cooler must be taken into consideration.
2. Connect the cooling water lines to the fittings.
3. Open the shut-off valve on the cooling water outlet (A).
4. Slowly open the cooling water inlet shut-off valve (B) to gradually fill the cooler with water.
5. Bleed air from the water lines.

Further information The dimensional drawing in chapter 13.1 gives the flow direction, size and position of the connection ports.

## 7 Initial Start-up

### 7.1 Ensuring safety

Here you will find instructions for a safe commissioning of the machine. Warning instructions are displayed prior to a potentially dangerous task.



Disregarding warning instructions can cause serious injuries!

#### Complying with safety instructions

Ignoring safety instructions can cause unforeseeable dangers.

- Follow the instructions in chapter 3 "Safety and Responsibility".
- Commissioning tasks may only be carried out by authorized personnel!
- Make sure that no one is working on the machine.
- Ensure that all service doors and panels are locked.

#### Working on live components

Touching voltage carrying components can result in electric shocks, burns, or death. Dangerous voltages persist at the terminals of the fan motor and intermediate circuit capacitors in the control cabinet for some time after power is switched off.

- Work on electrical equipment may be carried out only by authorized electricians.
- Switch off and lock out / tag out the power supply disconnecting device and verify the absence of voltage.
- Before starting work on the control cabinet or the fan, wait at least 5 minutes after the power supply disconnecting device has been switched off.
- Check that the floating relay contacts are voltage-free.

#### Working on the compressed air network

Compressed air is contained energy. Uncontrolled release of this energy can cause serious injury or death. The following safety instructions relate to any work on components that could be under pressure.

- Close shut-off valves or otherwise isolate the machine from the compressed air network to ensure that no compressed air can flow back into the machine.
- Fully vent all pressurized components and enclosures.
- Do not open or dismantle any valves.

#### Working on the drive system

Touching voltage carrying components can result in electric shocks, burns, or death. Touching the fan while the machine is switched on can result in serious injury.

- Switch off and lock out / tag out the power supply disconnecting device and verify that no voltage is present.
- Do not open the cabinet while the machine is switched on.

Further information

Information regarding authorized personnel can be found in chapter 3.4.2.

Information regarding dangers and their avoidance can be found in chapter 3.5.

## 7.2 Instructions to be observed before commissioning or re-commissioning

Incorrect or improper commissioning can cause injury to persons and damage to the machine.

- Commissioning may only be carried out by authorized installation and service personnel who have been trained on this machine.

### Special measures for re-commissioning after storage

Storage period or standstill longer than:	Remedy
12 months	<ul style="list-style-type: none"> <li>➤ Check condensate drainage.</li> <li>➤ Check the refrigerant condenser.</li> <li>➤ Check the electrical equipment.</li> <li>➤ Check all pipes, hoses and fittings for leaks and any visible damage. Correct any defects immediately.</li> </ul>
36 months	<ul style="list-style-type: none"> <li>➤ Have the overall technical condition checked by an authorized KAESER service representative.</li> </ul>

Tab. 30 Re-commissioning after storage

## 7.3 Checking installation and operating conditions

- Check and confirm all the items of the checklist before commissioning the machine:

To be checked	See chapter	Confirmed?
➤ Are operating personnel completely familiar with the applicable safety regulations?	–	
➤ Have all of the installation conditions been fulfilled?	5	
➤ Are the tolerance limits of the power supply within the permissible tolerance limits of the rated machine voltage? (see electrical diagrams)	2.1	
➤ Are the power supply cable conductor cross-sections and fuse ratings adequate?	2.11	
➤ Have all electrical connections been checked for tightness?	–	
➤ Has a safety relief valve been installed by the user?	6.3	
➤ Shut-off valves fitted to the compressed air connections?	6.3	
➤ Supply of cooling water ensured? (Option K2)	6.7.2	
➤ Is the condensate drain connected?	6.4	
➤ Option H1: Is the machine firmly anchored to the floor?	6.7.1	
➤ Installation altitude >3000 ft: Has the manufacturer been consulted? Have the controller parameters been adjusted?	4.8.6.3	

To be checked	See chapter	Confirmed?
➤ Are all access doors closed and latched and removable panels in place and secured?	–	

Tab. 31 Installation conditions checklist

## 7.4 Starting the machine for the first time

**Precondition** No personnel are working on the machine.  
All access doors are closed.  
All removable panels in place and secured.

1. Switch on the power supply disconnecting device.
2. Press the «ON »key.
3. Open the shut-off valves to the air network.
4. Watch for any faults occurring in the first few hours of operation.

### 7.4.1 Registering the machine at the bus

**Precondition** The bus cabling has been completed and the RJ45 connectors are inserted at both ends of the network cable (see chapter 4.9).

The other network device (SIGMA AIR MANAGER 4.0, SBU, component on site) is running.

For connection to the user's Modbus TCP network: "SIGMA CONTROL SMART Technical Description - Process Image", document number: 7\_9200\_PCM\_PA is provided.



The bus address of the communication module depends on its IP address.

During registration, only one machine with SIGMA CONTROL SMART (SCS) can be simultaneously registered at SIGMA AIR MANAGER 4.0 or the Modbus TCP bus master. If you want to register multiple machines with SCS, you have to do this in sequence. Any machine not yet registered must remain deactivated.

1. Stick the adhesive label with the communications module's bus address (e.g. 11) onto the module front. Adhesive labels for the last digit of the IP address are included with the SIGMA AIR MANAGER 4.0.

Connection to a SIGMA NETWORK	Connection to the user's Modbus TCP network
<ol style="list-style-type: none"> <li>1. Register the machine with SCS at SIGMA AIR MANAGER 4.0. The IP address is transmitted to SCS. For details, see chapter "Commissioning" in the SIGMA AIR MANAGER 4.0 Operating Manual.</li> </ol> <p>SCS communicates with the bus master using the network</p>	<ol style="list-style-type: none"> <li>1. Register the machine as a Modbus TCP device at the user's Modbus TCP bus master and set the parameters. The IP address set at the factory is 169.254.100.95. Use Modbus TCP to adjust the IP settings. For details, see ID x10 to x22 in "SIGMA CONTROL SMART Technical Description - Process Image", document number: 7_9200_PCM_PA.</li> </ol> <p>SCS communicates with the bus master using the network</p>



If the attempt to connect to the communication module fails, the IP address may have been set to an unknown address. Reset the IP address to the factory setting (169.254.100.95 ) as described below:

- Press the RESET key on the communications module (Fig. 2030 item 6) for more than 3 s.

## 8 Operation

### 8.1 Switching on and off

Always switch the machine on with the «ON» key and off with the «OFF» key.

The power supply disconnecting device connects or disconnects the machine and the electric system.

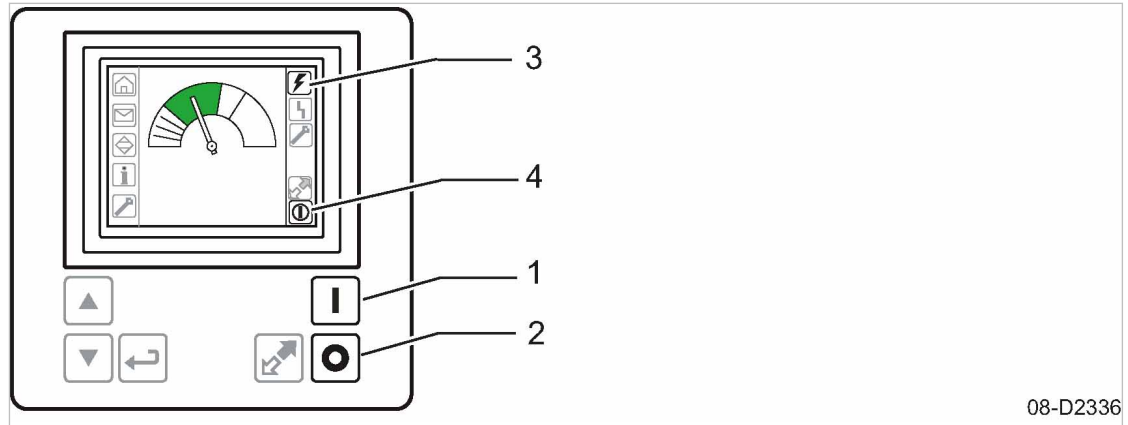


Fig. 27 Switching on and off

- ① «ON» key
- ② «OFF» key

- ③ *Voltage applied to controller* indicator
- ④ *ON* indicator

#### 8.1.1 Switching on

**Precondition** No personnel are working on the machine.  
All access doors and panels are closed and secure.

1. Switch on the power supply disconnecting device.  
The *Voltage applied to controller* indicator lights green.
2. Press the «ON» key.  
The green *ON* indicator lights continuously.
3. Wait 10–15 minutes, then open the shut-off valves to the compressed air system.



If a power failure occurs, the machine is **not** prevented from re-starting automatically when power is resumed.  
The machine can automatically restart when power is resumed and when the cut-in temperature is reached in the thermal mass.

#### 8.1.2 Switching off

1. Press the «OFF» key.  
The machine is carefully shut down. The *Machine ON* indicator flashes.
2. Press the «OFF» key again to immediately shut the machine down.
3. Switch off and lock out the power supply disconnecting device.
4. Close the shut-off valves to the compressed air system.

**Result** The *Voltage applied to controller* indicator extinguishes.

## 8.2 Using the remote control

The machine can be remotely controlled from a control center.

Various options are provided for creating a connection to the control center:

Connection via digital input

- Contact closed: READY
- Contact open: STOP

Connection via MODBUS TCP communication module (Option C44)

- This contact has a higher priority than the digital connection.

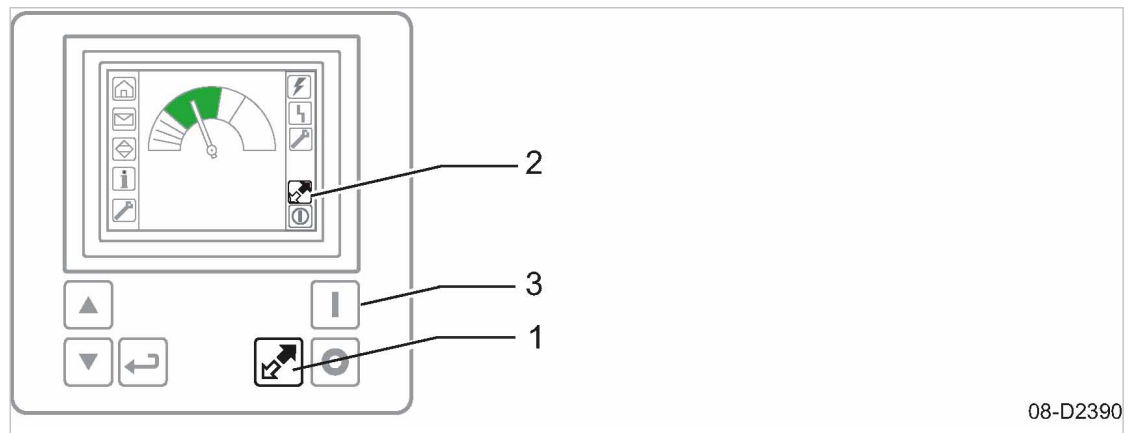


Fig. 28 Switching the remote control on and off

- |                         |             |
|-------------------------|-------------|
| ① «Remote control» key  | ③ «ON» key  |
| ② <i>Remote control</i> | ④ «OFF» key |

### 8.2.1 Switching the remote control on and off

**Precondition** The connection to a remote control center is established.  
The «Remote control» key is activated.

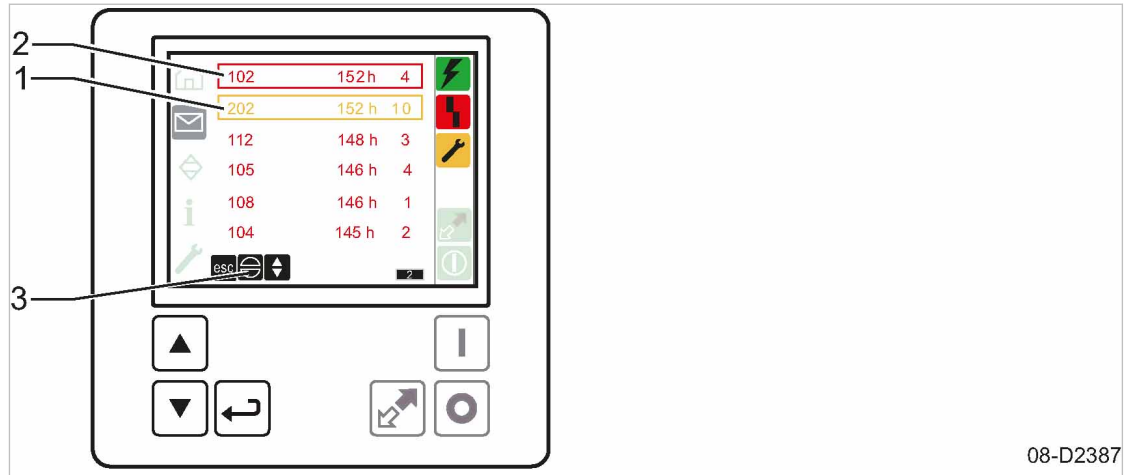
1. Press «ON» to switch on the machine.
2. Press the «Remote control» key.  
You can switch the machine in the remote control centre between the READY and STOP control modes.
3. Press «Remote control» key again to switch the remote control off.



- You want to prevent that the remote control is maladjusted?
- Deactivate the «remote control» key.

## 8.3 Acknowledging and Resetting Warning and Alarm Messages

The Acknowledge key affects only the top line on the display.



08-D2387

Fig. 29 Acknowledging messages

- ① Warning (yellow)
- ② Alarm (red)
- ③ Acknowledge key

1. In the *<Message>* menu, use «UP» or «DOWN» to activate **Acknowledge**.  
**Acknowledge** is displayed inversely.
2. Press «Enter».  
The message in the top line is acknowledged and disappears and the next message is displayed in the top line.
3. Press **esc** to return to the start screen after all messages have been acknowledged.



## 9 Fault Recognition and Rectification

### 9.1 Basic instructions

The alarm indications valid for your machine are dependent on the individual equipment.

1. Do not attempt fault rectification measures other than those given in this manual!
2. In all other cases:  
Have the fault rectified by an authorized KAESER service representative.

### 9.2 Messages at the controller

There are three types of messages:

- Alarms (red)  
An alarm message causes the machine to shut down.
- Warning messages (yellow)
- Maintenance messages (yellow)



You must acknowledge the alarm message upon correction of the fault before you can re-start the machine.

#### Alarm messages

Number	Meaning
101	The pressure monitor has triggered.
102	Motor protective switch for refrigerant compressor has triggered.
103	Switching frequency of refrigerant compressor is very high.
104	Motor protective switch for fan motor has triggered.
105	The temperature switch of the fan motor has triggered.
106	Open circuit in pressure transducer (vaporization pressure).
107	Short-circuit in pressure transducer (vaporization pressure).
108	Open circuit in pressure transducer (condensation pressure).
109	Short-circuit in pressure transducer (condensation pressure).
110	Open circuit in temperature transducer (pressure dew point).
111	Short-circuit in temperature transducer (pressure dew point).
112	The phase sequence of the power supply line is incorrect.
113	CAN bus communication fault of the display unit.
114	CAN bus communication fault of the controller module.
115	Internal temperature of the display unit too high.
116	Internal temperature of the controller module too high.
117	Refrigerant pressure on the low-pressure end is too low.
119	Fault in the condensate drain.
120	Open circuit in temperature transducer (ambient temperature).

Number	Meaning
121	Short-circuit in temperature transducer (ambient temperature).
122	Fault in the fan

Tab. 32 Alarm messages

**Warning messages**

Number	Meaning
201	Switching frequency of refrigerant compressor is high.
202	Fault in the condensate drain.
203	Pressure dew point is high. <ul style="list-style-type: none"> <li>■ This message is output when the yellow warning range has been reached.</li> <li>■ An acknowledgement is not necessary.</li> </ul>
204	Pressure dew point is very high. <ul style="list-style-type: none"> <li>■ This message is output when the red warning range has been reached.</li> <li>■ An acknowledgement is not necessary.</li> <li>■ The "Pressure dew point high" message relay contact switches.</li> </ul>
207	The dryer is controlled by means of the refrigerant pressure.
208	<ul style="list-style-type: none"> <li>■ Call authorized KAESER service representative.</li> </ul>

Tab. 33 Warning messages

**Maintenance messages**

Number	Meaning
301	Maintain the refrigerant condenser.
302	Maintain the condensate drain.

Tab. 34 Maintenance messages

## 9.3 Communications module – Troubleshooting

Faults in the communications module or errors in the communication via interfaces are indicated by LEDs on the communications module.

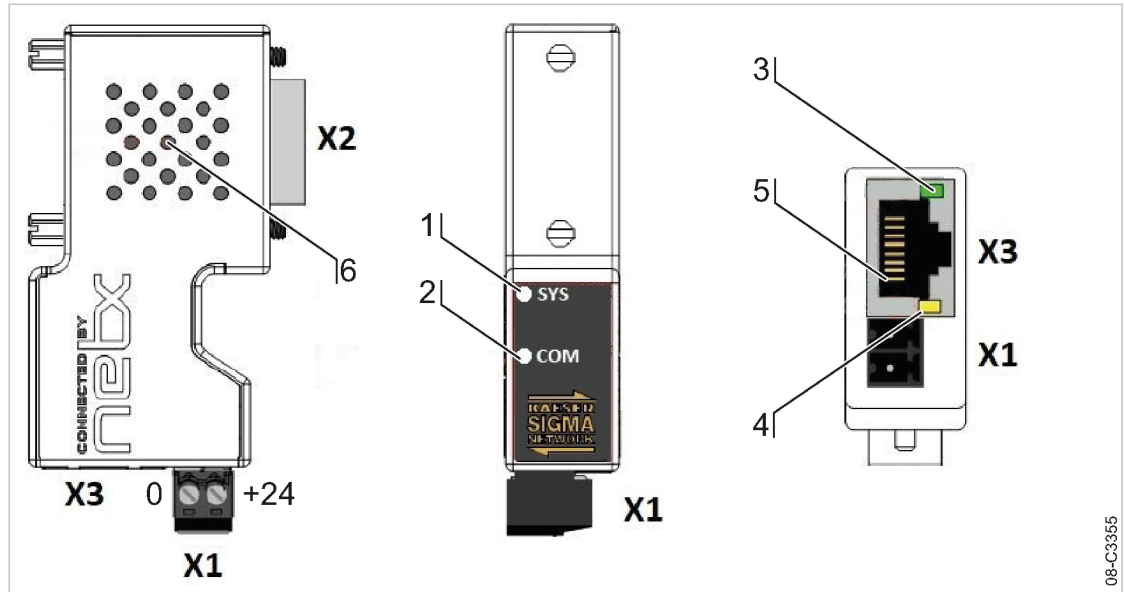


Fig. 30 Displays and connections of the communications module

Item	Display		Fault	Possible cause	Measure
2	COM LED	flashes red 1x/s	CAN communication faulty	SCS without voltage Communications module loose	Check the power supply Plug in the communications module and tighten the fastening screws
		flashes red 2x/s	Ethernet communication faulty	See the following faults	
3	ETH LINK	off	No Ethernet connection	Network connection is interrupted	Check network cable and plug
4	ETH ACT	off		Communications module at the bus master incorrectly parametrized or not at all Incorrect IP address or communication settings	Parametrize the module at the master, see chapter 7.4.1 Reset to factory setting and re-register at the bus, see chapter 7.4.1
3	ETH LINK	on, green	No Ethernet communication	SIGMA AIR MANAGER 4.0 out of operation	Switch on SIGMA AIR MANAGER 4.0
4	ETH ACT	off		Ethernet network out of operation	Contact IT personnel

Tab. 35 Fault messages on the communications module

**9.4 Faults**

Fault	Possible cause	Action
Water in the compressed pressure system	Compressed air inlet and outlet reversed.	Check the compressed air connections.
	The condensate is not draining out of the system.	Check and clean the condensate drain. Replace the service unit at the condensate drain.
	The safety pressure switch has shut down the machine.	Check operating conditions. Check the machine. Reset the machine.
High pressure drop	Dryer frozen on the air side.	Switch off the machine and increase the ambient temperature.
	Continuous pressure loss at condensate drain.	Maintain the condensate drain.
Pressure dew point too high	Ambient or compressed air inlet temperature too high.	Check that installation conditions are OK.
	Low refrigerant level.	Contact an authorized KAESER service representative.
	Dirt collecting in the compressed air system.	Contact an authorized KAESER service representative.
The safety pressure switch shuts down the machine	Ambient or compressed air inlet temperature too high.	Check that installation conditions are OK.
	Refrigerant condenser dirty.	Clean the refrigerant condenser.
	Dirt trap clogged.	Clean the dirt trap.
	Back pressure in exhaust air duct too high.	Check that installation conditions are OK.

Tab. 36 Faults and troubleshooting

# 10 Maintenance

## 10.1 Ensuring safety

Follow these instructions for to ensure safe machine maintenance.  
Warning instructions are given prior to a potentially dangerous task.



Disregarding warning instructions can result in life-threatening injuries!

### Observe safety instructions

Ignoring safety instructions can cause unforeseeable dangers!

- Follow the instructions in chapter 3 "Safety and Responsibility".
- Allow maintenance work to be performed by authorized personnel only!
- Make sure that no personnel are working on the machine.
- Ensure that all service doors and panels are locked.

### When working on live components

Touching live components can result in electric shocks, burns or death.

- Work on electrical equipment may only be carried out by authorized electricians.
- Switch off the power supply disconnecting device, lock out/tag out the device, verify the absence of any voltage.
- Check that there is no voltage on potential-free contacts.
- Before starting work on the control cabinet or the fan, wait at least 5 minutes after the power supply disconnecting device has been switched off.

### Working on the compressed air system

Compressed air is contained energy. Uncontrolled release of this energy can cause serious injury or death. The following safety instructions relate to any work on components that could be under pressure.

- Close shut-off valves or otherwise isolate the machine from the compressed air system to ensure that no compressed air can flow back into the machine.
- Vent all pressurized components and enclosures.
- Do not open or dismantle any valves.

### Working on the drive system

Touching live components can result in electric shocks, burns or death.

Touching the fan wheel whilst the machine is switched on can result in serious injury.

- Switch off the power supply disconnecting device, lock out/tag out the device, verify the absence of any voltage.
- Do not open the enclosure while the machine is switched on.

Further information

Information regarding authorized personnel can be found in chapter 3.4.2.

Information regarding dangers and their avoidance can be found in chapter 3.5.

## 10.2 Regular maintenance tasks

The refrigeration circuit is maintenance-free. Repairs may only be carried out by certified personnel.

The table below lists the required maintenance tasks.

- Carry out maintenance tasks, or have them carried out, punctually as determined by ambient and operating conditions:

Interval	Maintenance task	See chapter
Weekly	Check the condensate drain.	10.5
Quarterly	Check that all electrical connections are tight.	–
	Check lines, hoses, and fittings for leaks.	–
Annually	Have the refrigerant circuit checked and documented by an authorized KAESER service representative.	–
	Have the pressure monitor checked by an authorized KAESER service representative.	–
Display: SIGMA CONTROL SMART	Condensate drain:	10.5.2
	Change the Service Unit.	
	Clean the refrigerant condenser.	10.4

Tab. 37 Regular maintenance tasks

## 10.3 Regular maintenance tasks

The table below lists necessary maintenance tasks.

- Have an authorized KAESER service representative carry out maintenance tasks.
- Have maintenance tasks carried out in a timely manner, taking the ambient and operating conditions into account:

Interval	Maintenance task
Up to 36000 h, at least every six years	Have the plastic pipes and hose lines replaced.
h = operating hours	

Tab. 38 Regular maintenance tasks

## 10.4 Cleaning the refrigerant condenser

Regular cleaning of the refrigerant condenser ensures reliable cooling of the machine and the compressed air. The frequency is mainly dependent on local ambient conditions.

- Depending on the machine model, clean the refrigerant condenser as described below.

### 10.4.1 Option K1 Air-cooling maintenance

**Material** Compressed air for blowing out  
Cleaning cloths  
Vacuum cleaner  
Spare parts as required

**Precondition** The power supply disconnecting device is switched off,  
lock out / tag out the device,  
the absence of voltage has been verified.

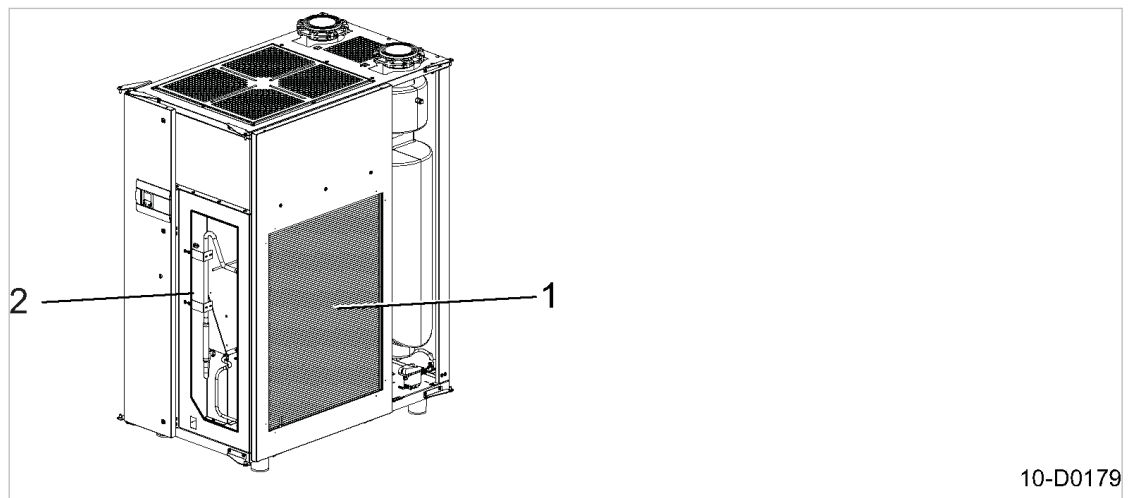


Fig. 31 Clean the refrigerant condenser

- ① Refrigerant condenser
- ② Maintenance opening

1. Use compressed air to blow the refrigerant condenser clean at regular intervals.
2. Have stubborn clogging removed by an authorized KAESER service representative.

### 10.4.2 Option K2 Water-cooling maintenance



- A clogged refrigerant condenser and dirt trap cause the condensation temperature to rise.
  - Monitor the condensation temperature to detect any tendency to rise.

Check the refrigerant condenser and dirt trap regularly for leaks and contamination. Frequency of checking is dependent on the characteristics of the cooling water.

**Precondition** The power supply disconnecting device is switched off,  
lock out / tag out the device,  
the absence of any voltage has been verified.

#### Checking for leaks

1. Check the condenser for visible leaks.
2. Have an authorized KAESER service representative check the condenser for internal leaks at least once a year.

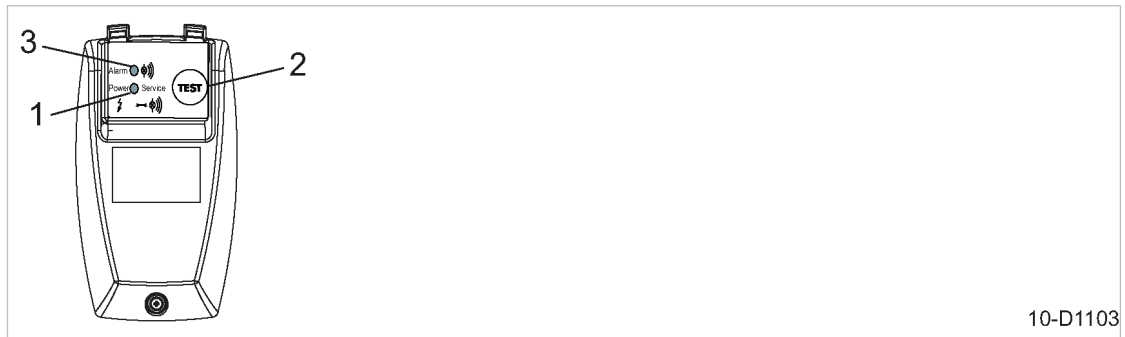
**Cleaning**

1. If necessary, have the refrigerant condenser cleaned by an authorized KAESER service representative.
2. Remove and clean the strainer of the dirt trap.

**10.5 Maintaining the condensate drain**

**10.5.1 Checking the condensate drain**

**Precondition** The user's power supply disconnecting device is switched on.  
Machine is pressurized.  
The *Power* LED lights.



10-D1103

Fig. 32 Checking the condensate drain

- ① *Power* LED
- ② «TEST» key
- ③ *Alarm* LED

1. With one hand, lightly touch the condensate line at the condensate drain.
2. With your other hand, push and hold the «TEST» key at the condensate drain for at least 2 seconds.

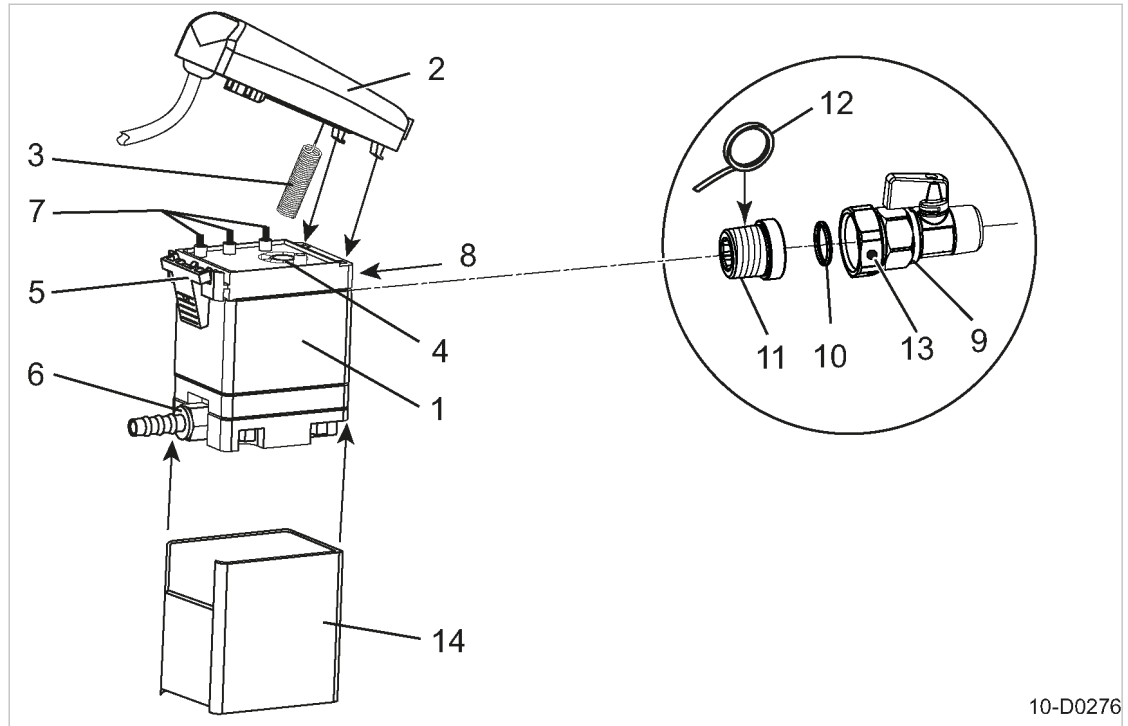
**Result** As soon as the condensate drain opens, you will feel a short burst at the condensate line.  
Replace the service unit if you do **not** experience a burst during manual test.

**10.5.2 Replacing the service unit**

The condensate drain cannot be cleaned. The service unit must be changed if condensate does not drain.

**Material** Sealing tape for sealing the screw-in part  
O-ring 16x2 (5.1519.0), if required





10-D0276

Fig. 33 Replacing the service unit

- |                                 |                             |
|---------------------------------|-----------------------------|
| ① Service unit                  | ⑧ Condensate inlet          |
| ② Control module                | ⑨ Shut-off valve            |
| ③ Sensor                        | ⑩ O-ring                    |
| ④ Sensor opening                | ⑪ Screw-in part             |
| ⑤ Snap fastener                 | ⑫ Sealing tape              |
| ⑥ Condensate drain hose fitting | ⑬ Union nut with vent holes |
| ⑦ Contact springs               | ⑭ Insulation                |

#### Removing the service unit

- ⚠ WARNING** *Serious injury or death can result from loosening or opening components under pressure!*  
➤ *Fully vent all pressurized components and enclosures.*
- Close the shut-off valve ⑨ upstream of the condensate drain.
- Unscrew the fitting ⑥ at the condensate line.
- Press the snap fastener and carefully remove the control module ② from the service unit ①.
- Carefully loosen the union nut ⑬ at the shut-off valve ⑨ until remaining residual air has escaped through the venting bores.
- Unscrew the screw-in part ⑪ from the service unit ① and place aside.
- Remove the insulation ⑭ from the service unit ①.

#### Installing the service unit

Use only KAESER service units to ensure the correct function of the condensate drain.

Precondition Ensure that the top of the service unit ① and the contact springs are clean and dry.

- Fit the insulation ⑭ to the service unit ①.

2. Carefully insert the control module sensor (3) in the opening (4) of the service unit (1).
3. Place the snap fastener (5) of the control module (1) into the service unit eyes.
4. Press the control module (2) against the service unit until the snap fastener audibly clicks into place.
5. At the screw-in part (11), replace old sealing material with new sealing tape.
6. Install the screw-in part (11) in the service unit (1).
7. If necessary, insert a new O-ring (10).
8. Tighten the union nut (13) at the shut-off valve (9).
9. Install the condensate line.
10. Open the shut-off valve (9) upstream of the condensate drain.
11. Close all access doors, replace and secure all removable panels.

# 11 Spares, Operating Materials, Service

## 11.1 Note the nameplate

The nameplate contains all information to identify your machine. This information is essential to us in order to provide you with optimal service.

- Please give the information from the nameplate with every inquiry and order for spares.

## 11.2 Consumable Parts and Operating Materials

KAESER consumable parts and operating fluids/materials are all genuine KAESER parts. They are specifically selected for use in KAESER machines.

### **⚠ WARNING**

*There is risk of personal injury or damage to the machine resulting from the use of unsuitable spare parts or operating fluids/materials!*

*Unsuitable or poor quality consumable parts and operating fluids/materials may result in damage to the machine or significantly impair its proper function.*

*Personal injury may result from damage.*

- *Use only original parts and operating fluids/materials.*
- *Have an authorized KAESER service representative carry out regular maintenance.*

Name	Number
Condensate drain: Service module	9602

Tab. 39 Consumable parts

## 11.3 KAESER AIR SERVICE

KAESER AIR SERVICE offers:

- authorized KAESER service representatives with KAESER factory training,
- increased operational reliability ensured by preventive maintenance,
- energy savings achieved by avoidance of pressure losses,
- optimum conditions for operation of the compressed air system,
- the security of genuine KAESER spare parts,
- increased legal certainty as all regulations are kept to.

- Why not sign a KAESER AIR SERVICE maintenance agreement!

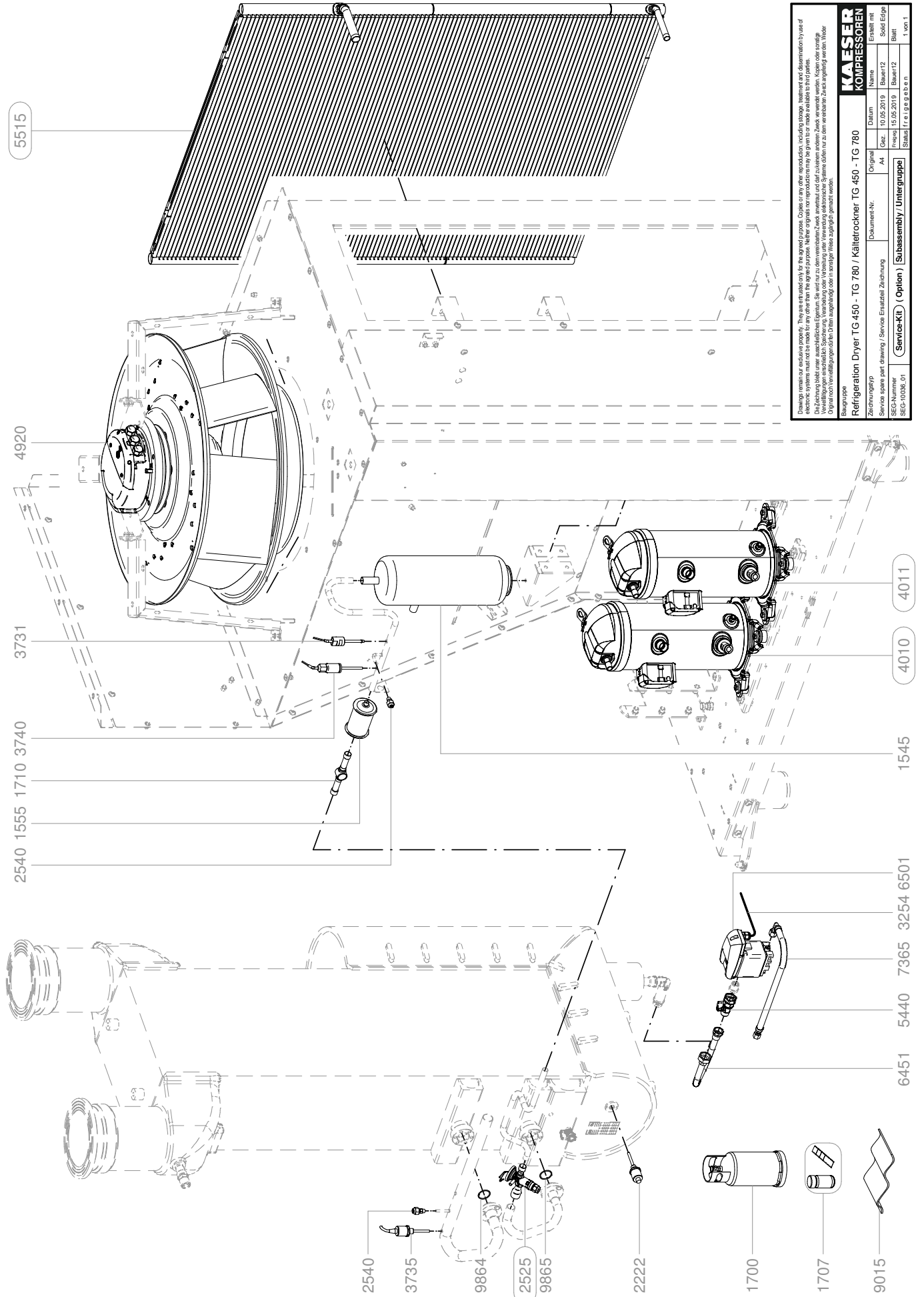
Result Your advantage:  
lower costs and higher compressed air availability.

## 11.4 Replacement parts for service and repair

Use these parts lists to plan your material requirement according to operating conditions and to order the required spare parts.



- Make sure that any service or repair tasks not described in this manual are carried out by an authorized KAESER service representative.

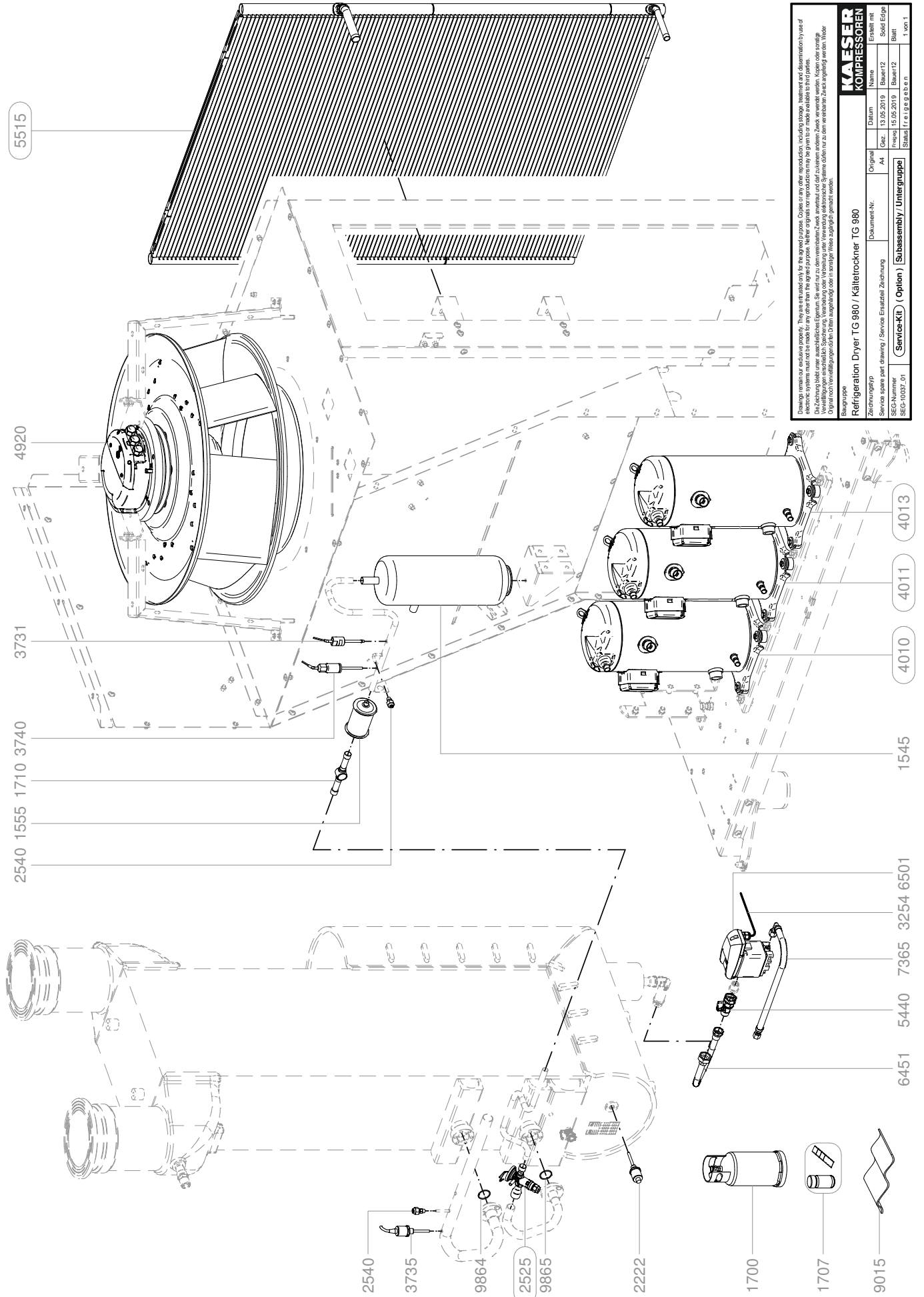


Drawing remains the exclusive property of Kaeser. It is not to be used for the production of copies for other purposes. Copies for other purposes, including reproduction, may only be made with the written consent of Kaeser. Die Zeichnung bleibt unser ausschließliches Eigentum. Sie wird nur zu dem vereinbarten Zweck anvertraut und darf zu keinem anderen Zweck verwendet werden. Kopieren oder sonstiger Vervielfältigungen sind ohne schriftliche Genehmigung von Kaeser-Kompressoren Systemen GmbH ausdrücklich untersagt.

Original Name: Erteilt mit  
 Datum: 10.05.2019 Bauart12 Solid Edge  
 Service spare part drawing / Service Ersatzteil Zeichnung: AI: 15.05.2019 Bauart12 Blatt  
 SEC-Nummer: SEC-10396\_01 (Service-Kit) Subassembly / Untergruppe: 1 von 1

Bezeichnung: Refrigeration Dryer TG 450 - TG 780 / Kältetrockner TG 450 - TG 780  
 Dokument-Nr.:

<b>Legend</b>		<b>KAESER</b> KOMPRESSOREN
Refrigeration dryer TG		SEL-4388_01 E
Item	Description	Option
1555 *)	Filter dryer	
1545 *)	Refrigerant collector	
1700 *)	Refrigerant	
1707 *)	Acid test, refrigerant	
1710 *)	Refrigerant indicator	
2222	Temperature sensor	
2525 *)	Injection valve	
2540 *)	Refrigerant filling port	
3254	Condens. drain, connect. cable	
3731 *)	Pressure limiter	
3735 *)	Leakage protection switch	
3740 *)	Fan pressure switch	
4010 *)	Refrigerant compressor	
4011 *)	Refrigerant compressor	
4920	Exhauster, dryer	
5440	Ball valve	
5515 *)	Refrigerant condenser	
6451	Condensate drain pipe	
6501	Condensate drain, dryer	
7365	Condensate drain line	
9015	Insulating tape	
9864 *)	Gasket	
9865 *)	Gasket	



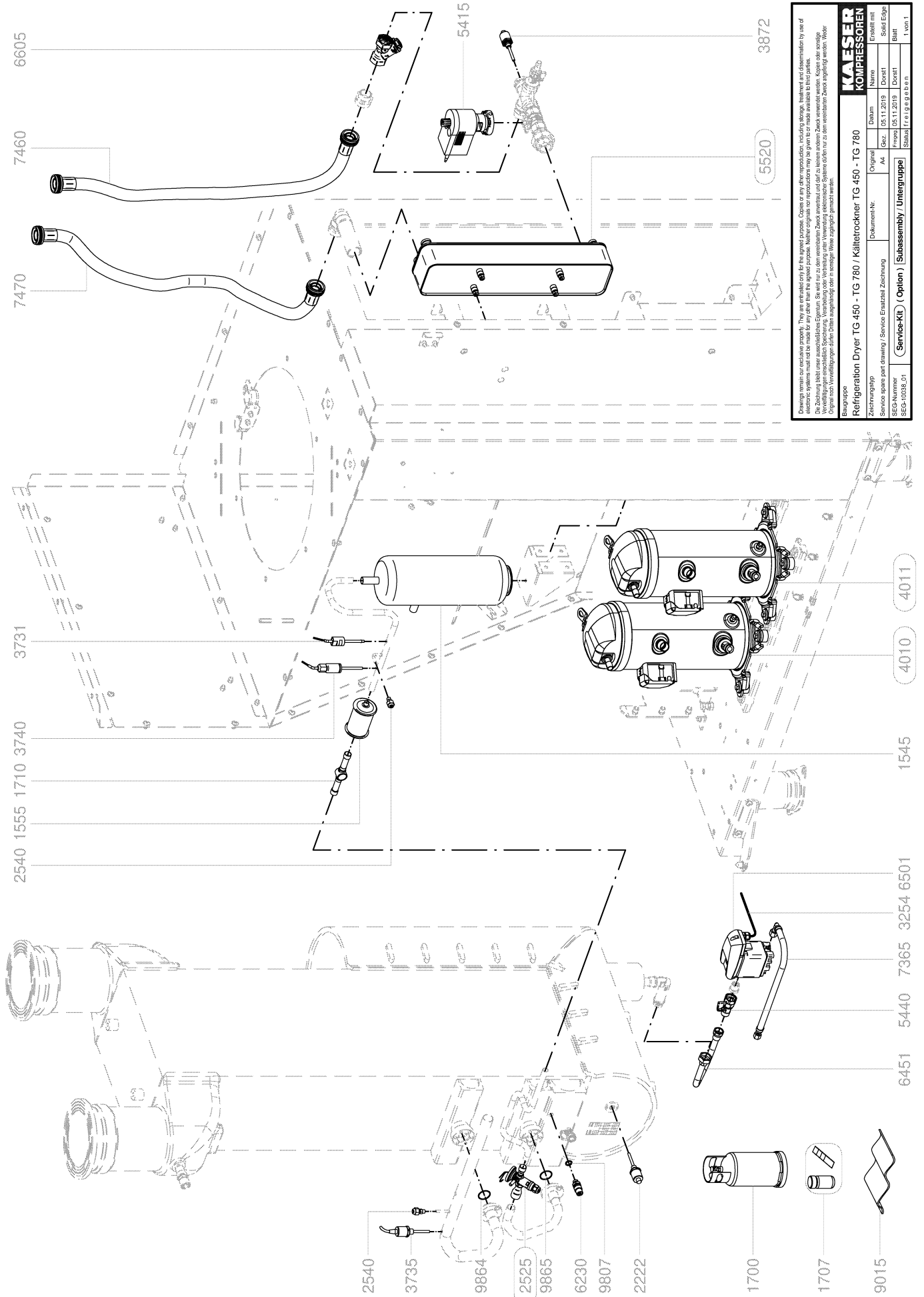
Drinking water for medicinal purposes. This is not intended for the general public. Copies for any other purposes, including selling, buying and distribution by use of electronic systems must not be made for any other than the original purpose. Neither original nor reproduction may be given to or made available to third parties. Die Zeichnung bildet unser ausschließliches Eigentum. Sie wird nur zu dem vereinbarten Zweck anvertraut und darf zu keinem anderen Zweck verwendet werden. Kopien oder sonstige Veröffentlichungen einschließlich Speicherung, Vervielfältigung oder Verbreitung unter Verwendung elektronischer Systeme dürfen nur zu dem vereinbarten Zweck angefertigt werden. Weitergabe, Verkauf, Kopierung und Verbreitung durch elektronische Systeme ist ausdrücklich untersagt.

Original Name Erhältlich mit  
Datum 13.05.2019 Bauart12 Solid Edge  
Service spare part drawing / Service Ersatzteil Zeichnung A1 Cez. 15.05.2019 Bauart12 Blatt  
SEC-Nummer 980-10037\_01 (Service-Kit) / Subassembly / Untergruppe Status | c a e s e r | 1 von 1

Blattgruppe: Refrigeration Dryer TG 980 / Kältetrockner TG 980  
Zeichnungsgruppe: Dokument-Nr.:  
SEC-Nummer: 980-10037\_01

<b>Legend</b>		<b>KAESER</b> KOMPRESSOREN
<b>Refrigeration dryer TG</b>		SEL-4389_01 E
Item	Description	Option
1555 *)	Filter dryer	
1545 *)	Refrigerant collector	
1700 *)	Refrigerant	
1707 *)	Acid test, refrigerant	
1710 *)	Refrigerant indicator	
2222	Temperature sensor	
2525 *)	Injection valve	
2540 *)	Refrigerant filling port	
3254	Condens. drain, connect. cable	
3731 *)	Pressure limiter	
3735 *)	Leakage protection switch	
3740 *)	Fan pressure switch	
4010 *)	Refrigerant compressor	
4011 *)	Refrigerant compressor	
4013 *)	Refrigerant compressor	
4920	Exhauster, dryer	
5440	Ball valve	
5515 *)	Refrigerant condenser	
6451	Condensate drain pipe	
6501	Condensate drain, dryer	
7365	Condensate drain line	
9015	Insulating tape	
9864 *)	Gasket	
9865 *)	Gasket	



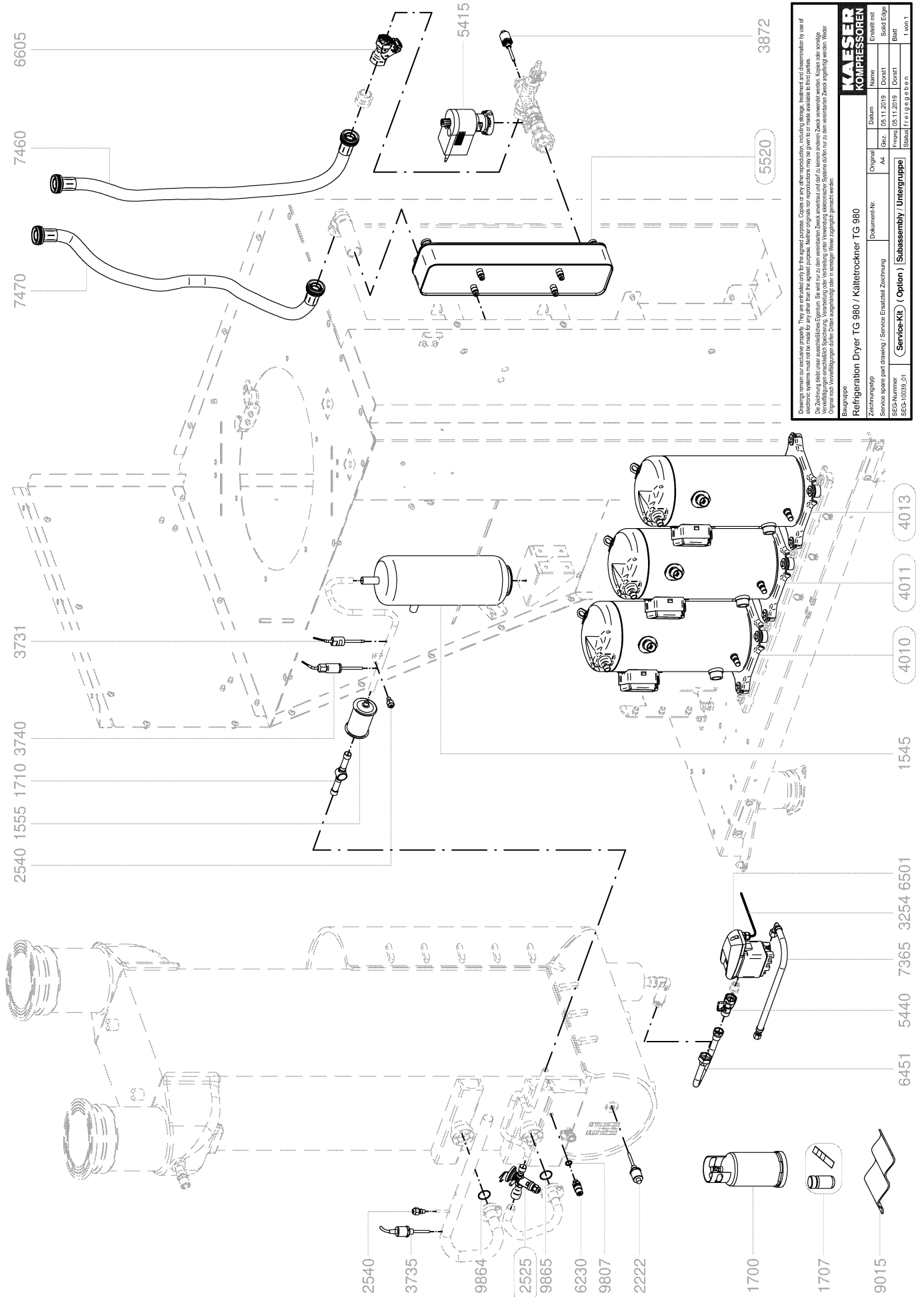


Bitte beachten Sie wichtige Hinweise: This manual is not to be used as a substitute for the original operating instructions. The use of non-original parts may void the warranty. Die Zeichnung bleibt unter ausschließlicher Eigentümern. Sie wird nur zu dem vereinbarten Zweck erstellt und darf zu keinem anderen Zweck verwendet werden. Können oder sonstige Verantwortlichen einstellend. Spätere Änderungen oder Veränderungen unter Verwendung elektronischer Systeme dürfen nur zu dem vereinbarten Zweck angefertigt werden. Weder die Haftung für Schäden an Personen oder Sachanlagen noch die Haftung für Schäden an Dritten ist zu übernehmen.

Refrigeration Dryer TG 450 - TG 760 / Kältetrockner TG 450 - TG 760

KAESER KOMPRESSOREN		Name		Erstellt mit	
Zeichnungs-Nr.	Dokument-Nr.	Original	Datum	Alt	Seit
Service spare part drawing / Service Ersatzteil-Zeichnung		05.11.2013	05.11.2013	05.11.2013	05.11.2013
SEGA-Nummer	SEGA-Nummer	SEGA-Nummer	SEGA-Nummer	SEGA-Nummer	SEGA-Nummer
SEGA-10038_01	(Service-KIT) (Option) / Subassembly / Untergruppe				
					1 von 1

<b>Legend</b>		<b>KAESER</b> KOMPRESSOREN
Refrigeration dryer TG		SEL-4390_01 E
Item	Description	Option
1555 *)	Filter dryer	
1545 *)	Refrigerant collector	
1700 *)	Refrigerant	
1707 *)	Acid test, refrigerant	
1710 *)	Refrigerant indicator	
2222	Temperature sensor	
2525 *)	Injection valve	
2540 *)	Refrigerant filling port	
3254	Condens. drain, connect. cable	
3731 *)	Pressure limiter	
3735 *)	Leakage protection switch	
3740 *)	Fan pressure switch	
3872	Temperature sensor	
4010 *)	Refrigerant compressor	
4011 *)	Refrigerant compressor	
5415	Actuator	
5440	Ball valve	
5520 *)	Refrigerant condenser waterc.	
6230	Blowoff valve	
6451	Condensate drain pipe	
6501	Condensate drain, dryer	
6605	Dirt trap	
7365	Condensate drain line	
7460	Hose line	
7470	Hose line	
9015	Insulating tape	
9807	Gasket	
9864 *)	Gasket	
9865 *)	Gasket	



Bitte beachten Sie die folgenden Hinweise: Diese Ersatzteile sind für die Reparatur von Kälteanlagen vorgesehen. Die Verwendung dieser Ersatzteile ist ausschließlich für den Ersatz von verschlissenen oder defekten Originalteilen vorgesehen. Die Verwendung dieser Ersatzteile ist nicht zulässig, wenn die Originalteile durch andere Ersatzteile ersetzt werden. Die Zeichnung bleibt unter allen Umständen Eigentum der KAESER KOMPRESSOREN. Sie wird zu dem vereinbarten Zweck erstellt und darf zu keinem anderen Zweck verwendet werden. Können oder sonstige Veränderungen einhergehen, sind diese unter Verwendung elektronischer Systeme oder für die dem jeweiligen Zweck angelegten Anlagen. Weder die Zeichnung noch die Ersatzteile sind für die Reparatur von Kälteanlagen geeignet.

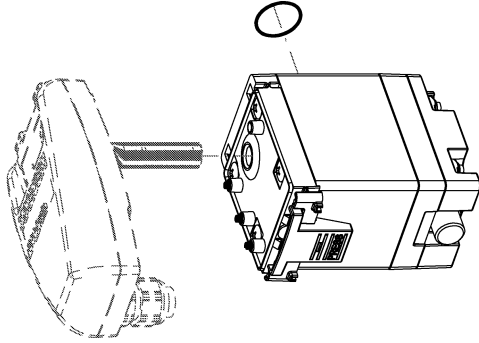
**KAESER KOMPRESSOREN**

Refrigeration Dryer TG 980 / Kältetrockner TG 980

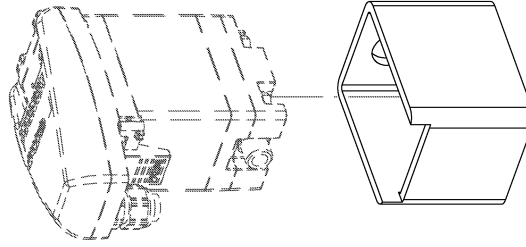
Zeichnungsgruppe	Original	Datum	Name	Erstellt mit
Service spare part drawing / Service Ersatzteil-Zeichnung		05.11.2013	As	Docst
SEGA-Nummer		05.11.2013	Docst	Blatt
SEGA-10039_01				1 von 1

(Service-KIT) (Option) / Subassembly / Untergruppe

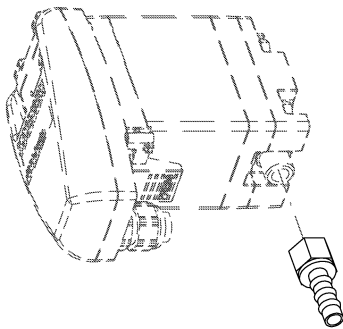
Legend		<b>KAESER</b> KOMPRESSOREN
Refrigeration dryer TG		SEL-4391_01 E
Item	Description	Option
1555 *)	Filter dryer	
1545 *)	Refrigerant collector	
1700 *)	Refrigerant	
1707 *)	Acid test, refrigerant	
1710 *)	Refrigerant indicator	
2222	Temperature sensor	
2525 *)	Injection valve	
2540 *)	Refrigerant filling port	
3254	Condens. drain, connect. cable	
3731 *)	Pressure limiter	
3735 *)	Leakage protection switch	
3740 *)	Fan pressure switch	
3872	Temperature sensor	
4010 *)	Refrigerant compressor	
4011 *)	Refrigerant compressor	
4013 *)	Refrigerant compressor	
5415	Actuator	
5440	Ball valve	
5520 *)	Refrigerant condenser waterc.	
6230	Blowoff valve	
6451	Condensate drain pipe	
6501	Condensate drain, dryer	
6605	Dirt trap	
7365	Condensate drain line	
7460	Hose line	
7470	Hose line	
9015	Insulating tape	
9807	Gasket	
9864 *)	Gasket	
9865 *)	Gasket	



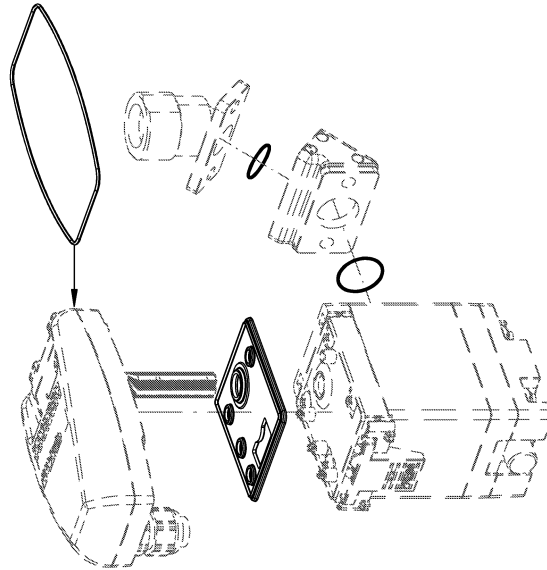
9602



9020



6307



9603

Die Zeichnung bleibt unter ausschließlichen Eigentum der Kaeser Kompressoren AG. Sie wird nur zu dem vereinbarten Zweck anvertraut und darf zu keinem anderen Zweck verwendet werden. Kopien oder sonstige Vervielfältigungen einschließlich Speicherung, Verarbeitung oder Verbreitung unter Verletzung elektronischer Systeme stellen für den Verleiher einen Verstoß gegen geltendes Recht dar. Weder die Haftung für Schäden noch die Haftung für Folgeschäden sind ausgeschlossen.

Baugruppe		Original		Erstellt mit	
Zeilengruppe		Datum		Name	
Service spare part drawing / Service Ersatzteil-Zeichnung		13.01.2015		Bauret 2	
SEGA-Nummer		A4		Solid Edge	
SEG-6384_01		Version		Blatt	
(Service-Kit) (Option) / Subassembly / Untergruppe		13.01.2015		Bauret 2	
		Status		Blatt	
		13.01.2015		1 von 1	

<b>Legend</b>		<b>KAESER</b>															
<b>Condensate drain</b>		SEL-4076_01 E															
<table border="1" style="width: 100%; border-collapse: collapse;"> <thead> <tr> <th style="width: 15%;"><b>Item</b></th> <th style="width: 65%;"><b>Description</b></th> <th style="width: 20%;"><b>Option</b></th> </tr> </thead> <tbody> <tr> <td>6307</td> <td>Hose connection</td> <td></td> </tr> <tr> <td>9020</td> <td>Insulating jacket</td> <td></td> </tr> <tr> <td>9602</td> <td>Condensate drain service-unit</td> <td></td> </tr> <tr> <td>9603</td> <td>Condensate drain gasket kit</td> <td></td> </tr> </tbody> </table>			<b>Item</b>	<b>Description</b>	<b>Option</b>	6307	Hose connection		9020	Insulating jacket		9602	Condensate drain service-unit		9603	Condensate drain gasket kit	
<b>Item</b>	<b>Description</b>	<b>Option</b>															
6307	Hose connection																
9020	Insulating jacket																
9602	Condensate drain service-unit																
9603	Condensate drain gasket kit																
<div style="border: 1px solid black; padding: 10px; margin: 10px auto; width: 80%;"> <p>Please quote the part number and serial number of the machine together with the item number and the description of the part when ordering.</p> <p>Before and during all work, be sure to read and follow the safety and service instructions in the machine's service manual!</p> </div>																	

## 12 Decommissioning, Storage and Transport

### 12.1 Decommissioning

This is necessary under the following circumstances:

- The machine is temporarily not needed.
- The machine is to be moved to another location.
- The machine is to be scrapped.

#### Temporarily decommissioning

1. Switch the machine off and is shut-off all connecting lines.
2. Drain condensate from the condensate drain.

#### Permanent decommissioning

Precondition the main disconnecting device is switched off, the switch is locked in the off position, a check has been made that no voltage is present. Machine fully vented (no pressure).

1. Drain condensate from the condensate drain.
2. Allow the machine to cool down completely.
3. Drain cooling water from water-cooled machines (option K2).
4. Disconnect all supply lines.

### 12.2 Storage

Moisture can lead to corrosion, particularly on the surfaces of the machine.

Frozen moisture can damage components such as diaphragms, valves, and gaskets.



Please consult with KAESER if you have questions about appropriate storage and commissioning.

Precondition Condensate drain and condensate lines are completely empty.

1. **NOTICE** *Moisture and frost can damage the machine!*
  - *Prevent ingress of moisture and formation of condensation.*
  - *Maintain a storage temperature of >32°F.*
2. Store the machine in a dry, frost-proof room.

### 12.3 Transport

#### 12.3.1 Safety

Weight and center of gravity determine the most suitable method of transportation. The center of gravity is shown in the drawing in chapter 13.1.



- Please consult with KAESER if you intend to transport the machine in freezing temperatures.

Precondition Transport only by forklift truck or suitable lifting gear and only by personnel trained in the safe transportation of loads.

- Ensure the danger area is clear of personnel.

### 12.3.2 Transport with a forklift truck

Precondition The forks are fully under the machine.



Fig. 34 Transporting with a forklift truck

1. Take note of the center of gravity.
2. Drive the forks completely under the machine or pallet and lift carefully.

### 12.3.3 Transport with a crane

Only suitable and approved load-carrying and attachment devices ensure proper transport of the machine with a crane. Suitable crossbeams ensure sufficient distance of the attachment resources from the machine housing to prevent damage.

The machine is not equipped with fixing points.

Examples of unsuitable fixing points:

- Pipe sockets
- Flanges
- Attached components such as condensate drains.



- Consult KAESER if you require suitable load-carrying and attachment devices or have questions regarding the correct use.

Precondition Load-carrying and attachment devices meet the local safety regulations.  
The crane, load-carrying and attachment devices or the lifted machine do not endanger personnel.



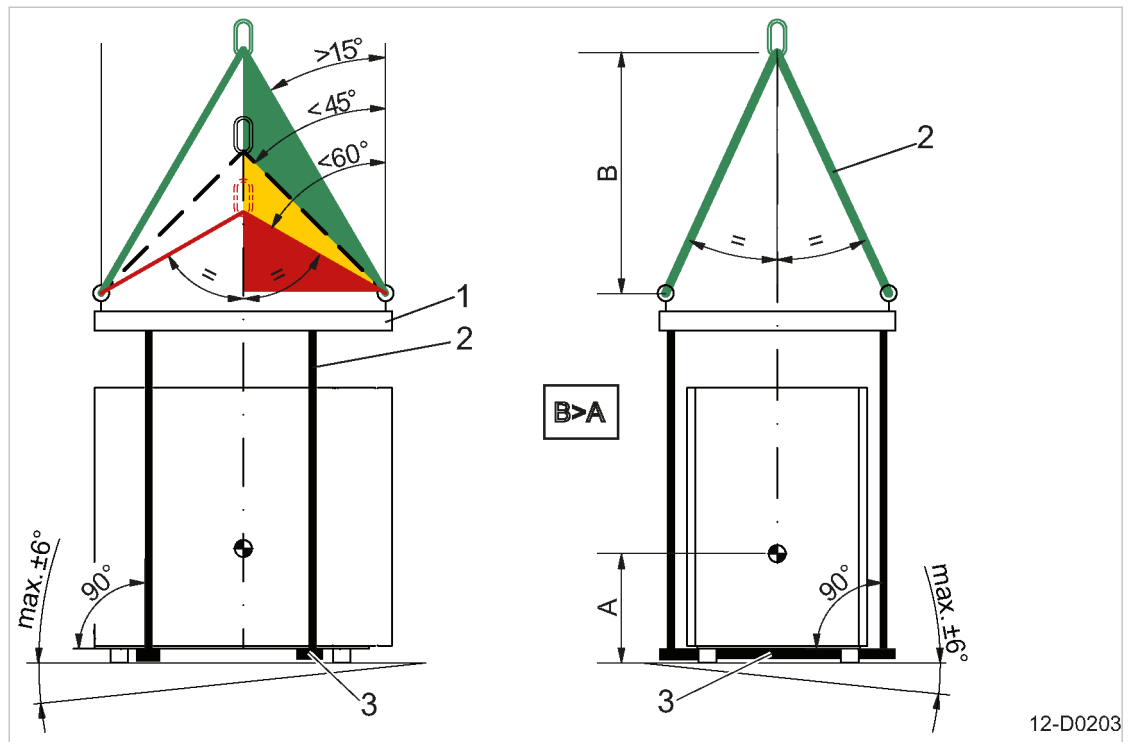


Fig. 35 Transport with a crane

- ① Load carrying devices
- ② Attachment resources

1. **⚠ WARNING** Risk of accident caused by incorrect use of lifting gear and attachment devices!
  - Comply with permissible load limits.
  - Comply with specific safety information of used load-carrying and attachment devices.
2. Properly use load-carrying and attachment devices:
  - Ensure proper distribution of the fastening points relative to the centre of gravity position (symmetrical load distribution).
  - Ensure equal slope angles of 15° to 45° for attachment devices with multiple strands.
    - Slope angles between 45° and 60° may be unsuitable.
    - Slope angles larger than 60° are prohibited.
  - Ensure the maximum incline of 6° of the machine to the horizontal.
  - Ensure sufficient distance of the attachment devices to the machine.
  - Ensure a positive stability height: Dimension B > Dimension A
  - Do not attach the attachment devices to any machine component.
3. Carry out a lifting test:  
Slightly lift the machine to check whether machine remains in horizontal position and does not teeter.
4. Transport the machine only after a successful lifting test.

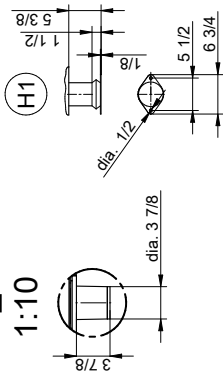
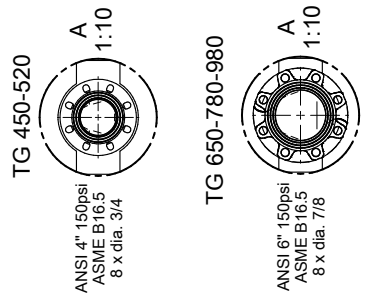
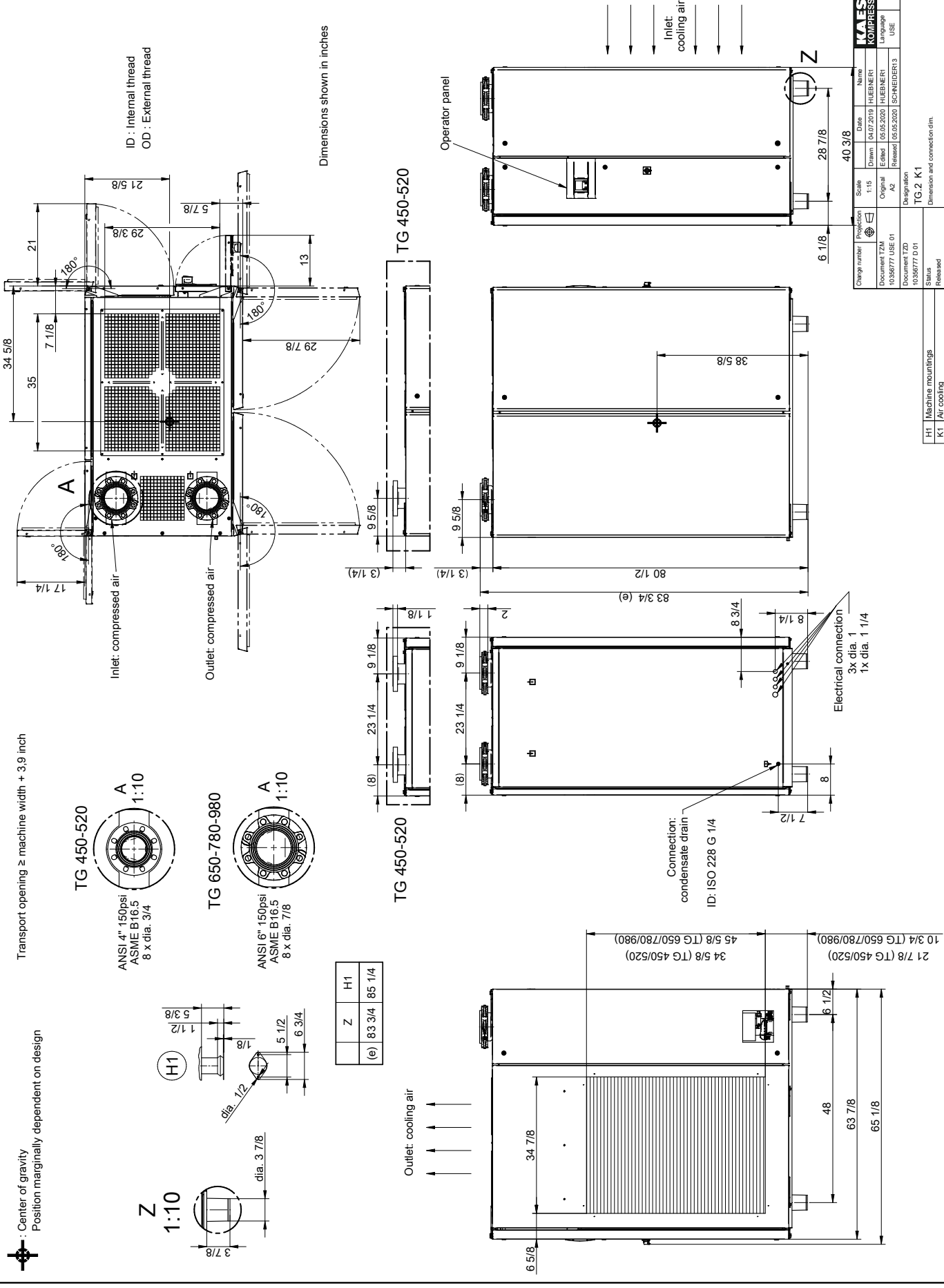
## 12.4 Disposal

The refrigerant circuit still contains both refrigerant and oil.

1. Decommission the machine.
2. Dispose of the machine through an authorized disposal expert.

## 13 Annex

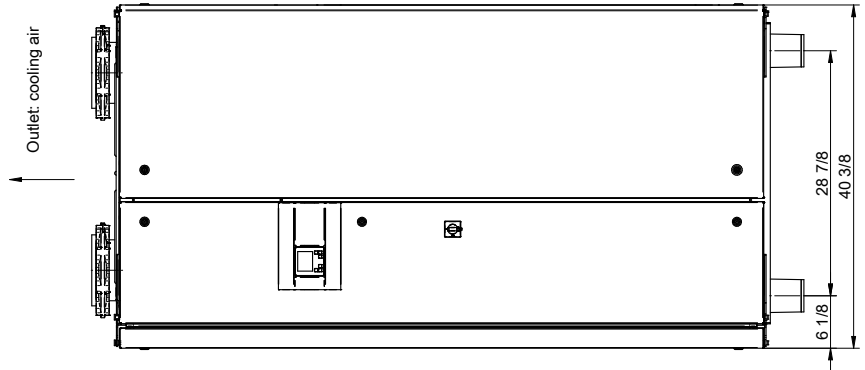
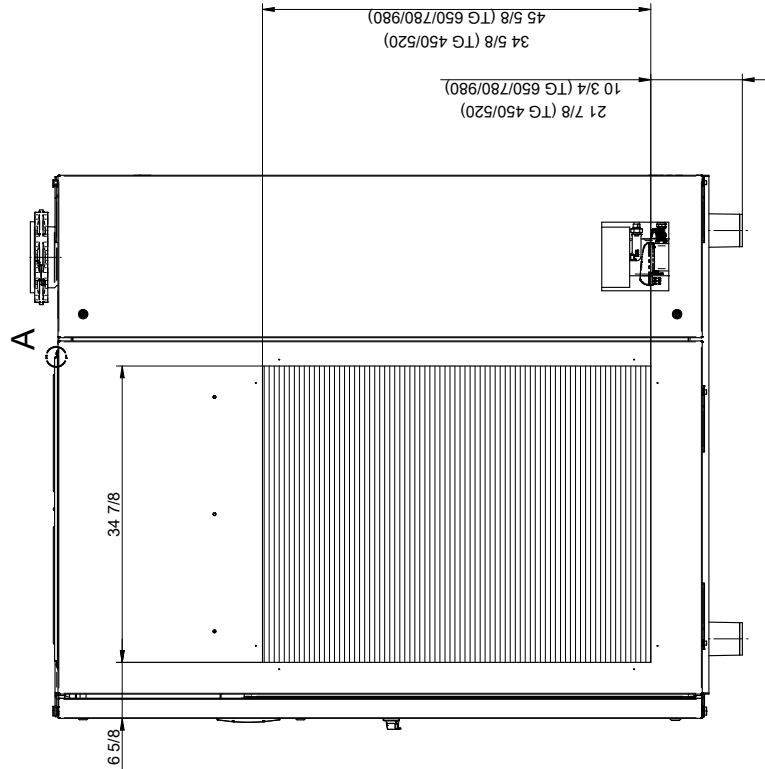
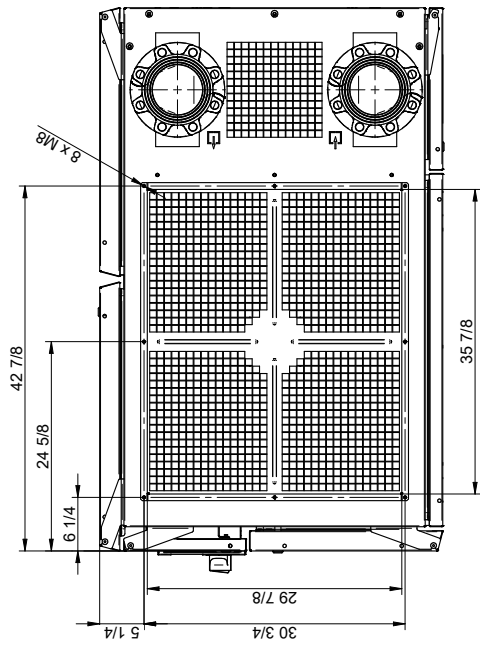
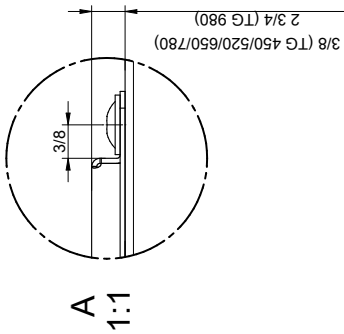
### 13.1 Dimensional drawing



Z	H1
(e) 83 3/4	85 1/4

Total permissible pressure loss for add-on ducting  
Δ p max. 5/8 inch water column  
TG.2

Dimensions shown in inches



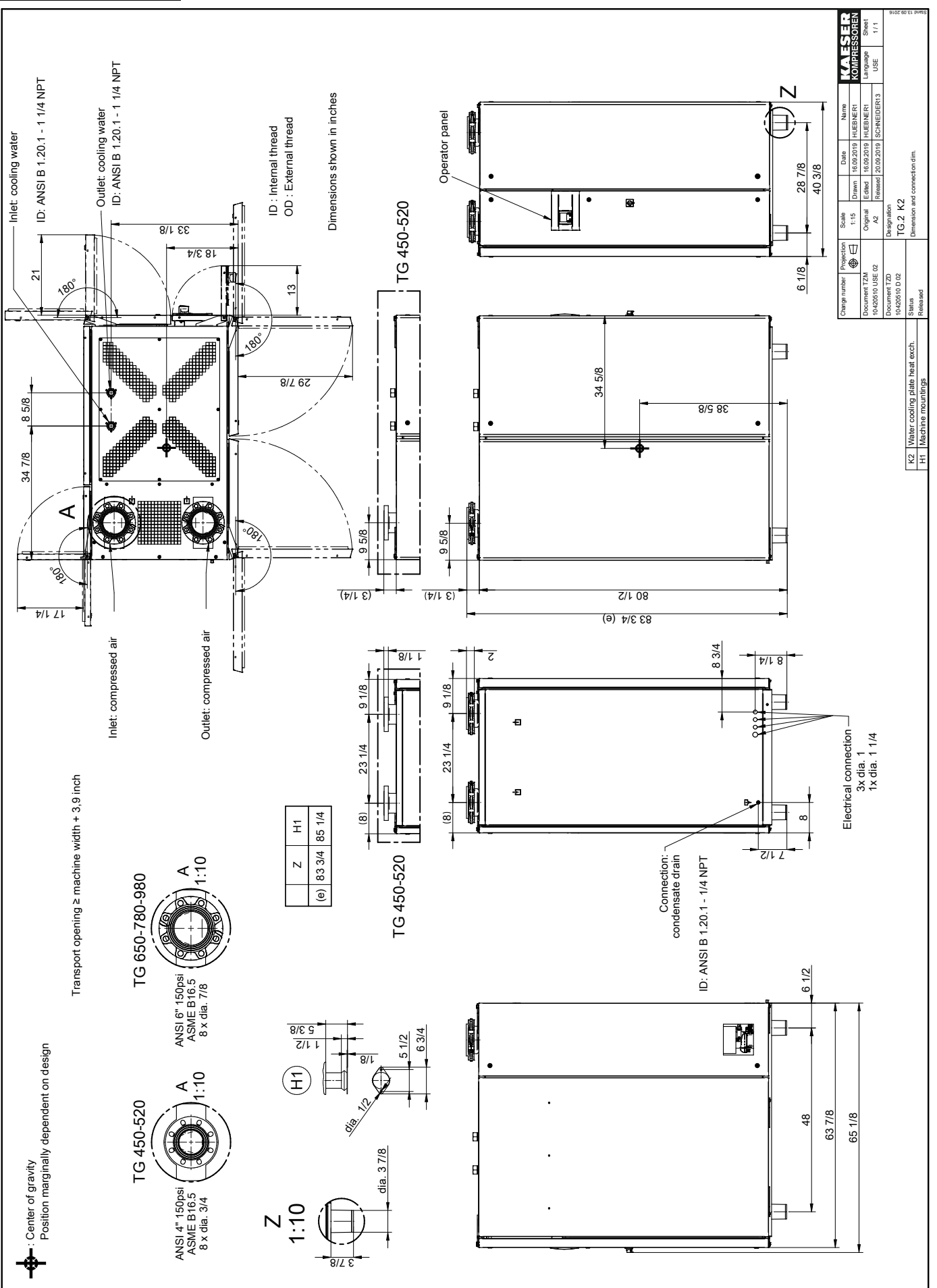
Inlet: cooling air  
↓  
TG 450 : V = 2943 cfm  
TG 520 : V = 3885 cfm  
TG 650 : V = 4179 cfm  
TG 780 : V = 5003 cfm  
TG 980 : V = 7358 cfm

Charge number	Projection	Scale	Name
Document T2M	1:10	Drawn	HUEBNER
Document T2D	Original	Edited	HUEBNER
10433096 D 01	A2	Released	SCHNEIDER
10433096 D 01	Designation	TG.2 K1	
Status		Released	
Description		Connection, dp cool, air duct	

Document	Sheet
10433096 USE 01	1/1

H1 Machine mountings  
K1 Air cooling

Drawings remain our exclusive property. Copies or other reproductions, including drawings, treatment and distribution by use of electronic systems is not allowed for any other than the agreed upon purpose. Notes are included only for the agreed upon purpose. All dimensions are in inches unless otherwise specified. Drawing may be altered without notice.



Change number	Projection	Scale	Date	Name
10420510 USE 02	1:15	16.09.2019	HUEBNER	
10420510 USE 02	Original	16.09.2019	HUEBNER	
10420510 USE 02	Released	20.09.2019	SCHNEIDER 3	
Designation		TG.2 K2		
Dimension and connection dim.		Dimension and connection dim.		

Charge number	Projection	Scale	Date	Name
10420510 USE 02	1:15	16.09.2019	HUEBNER	
10420510 USE 02	Original	16.09.2019	HUEBNER	
10420510 USE 02	Released	20.09.2019	SCHNEIDER 3	
Designation		TG.2 K2		
Dimension and connection dim.		Dimension and connection dim.		

Charge number	Projection	Scale	Date	Name
10420510 USE 02	1:15	16.09.2019	HUEBNER	
10420510 USE 02	Original	16.09.2019	HUEBNER	
10420510 USE 02	Released	20.09.2019	SCHNEIDER 3	
Designation		TG.2 K2		
Dimension and connection dim.		Dimension and connection dim.		

Charge number	Projection	Scale	Date	Name
10420510 USE 02	1:15	16.09.2019	HUEBNER	
10420510 USE 02	Original	16.09.2019	HUEBNER	
10420510 USE 02	Released	20.09.2019	SCHNEIDER 3	
Designation		TG.2 K2		
Dimension and connection dim.		Dimension and connection dim.		

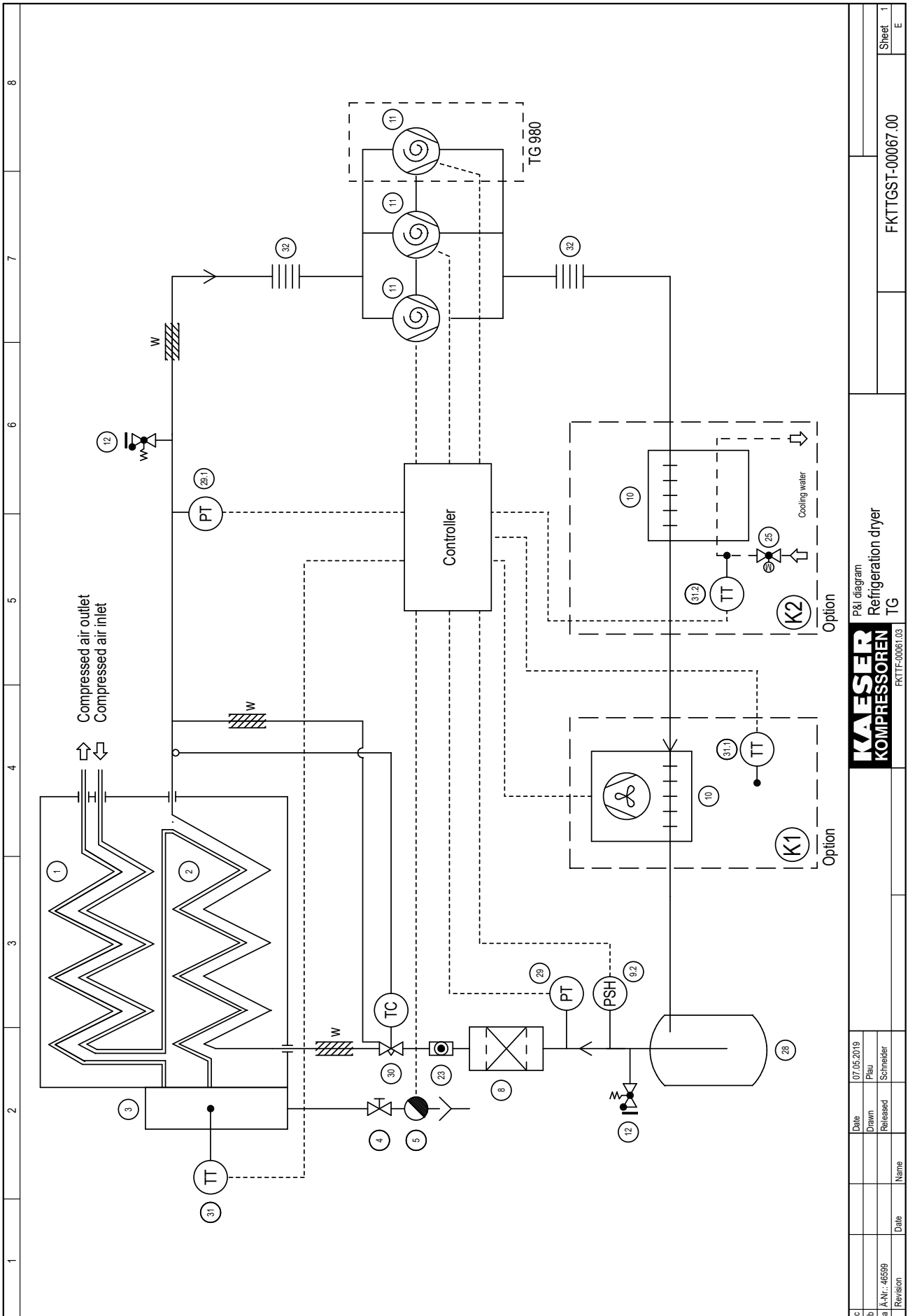
Charge number	Projection	Scale	Date	Name
10420510 USE 02	1:15	16.09.2019	HUEBNER	
10420510 USE 02	Original	16.09.2019	HUEBNER	
10420510 USE 02	Released	20.09.2019	SCHNEIDER 3	
Designation		TG.2 K2		
Dimension and connection dim.		Dimension and connection dim.		

Charge number	Projection	Scale	Date	Name
10420510 USE 02	1:15	16.09.2019	HUEBNER	
10420510 USE 02	Original	16.09.2019	HUEBNER	
10420510 USE 02	Released	20.09.2019	SCHNEIDER 3	
Designation		TG.2 K2		
Dimension and connection dim.		Dimension and connection dim.		

Charge number	Projection	Scale	Date	Name
10420510 USE 02	1:15	16.09.2019	HUEBNER	
10420510 USE 02	Original	16.09.2019	HUEBNER	
10420510 USE 02	Released	20.09.2019	SCHNEIDER 3	
Designation		TG.2 K2		
Dimension and connection dim.		Dimension and connection dim.		

Charge number	Projection	Scale	Date	Name
10420510 USE 02	1:15	16.09.2019	HUEBNER	
10420510 USE 02	Original	16.09.2019	HUEBNER	
10420510 USE 02	Released	20.09.2019	SCHNEIDER 3	
Designation		TG.2 K2		
Dimension and connection dim.		Dimension and connection dim.		

## 13.2 Pipeline and instrument flow diagram (P+I diagram)



c	Date	07.05.2019
b	Drawn	Plau
a	Released	Schneidler
Revision	Date	Name

**KAESER**  
KOMPRESSOREN  
FKTF-0061.03

P&I diagram  
Refrigeration dryer  
TG

FKTTGST-00067.00

Sheet 1  
E



1	2	3	4	5	6	7	8																								
1	Air/air heat exchanger (heat-insulated)			28	Refrigerant collector																										
2	Air/refrigerant heat exchanger (Evaporator) (heat-insulated)			29	Pressure transducer - Condensation pressure																										
3	Condensate separator (heat-insulated)			29.1	Pressure transducer - Evaporation pressure																										
4	Shut-off valve			30	Thermostatic expansion valve																										
5	Condensate drain			31	Temperature transducer - Pressure dew point																										
8	Filter dryer			31.1	Temperature transducer - Ambient temperature																										
9.2	Pressure limiter			31.2	Temperature transducer - Cooling water temperature																										
10	Refrigerant condenser			32	Compensator																										
11	Refrigerant compressor			w	heat-insulated																										
12	Service connection (Schrader valve)			Option																											
23	Inspection glass with humidity indicator			K1	Air-cooling																										
25	Cooling water regulating valve (motor-controlled)			K2	Water-cooling																										
<table border="1"> <tr> <td colspan="2">PK&amp;I diagram legend</td> <td colspan="2">FKTTGST-00067_00</td> </tr> <tr> <td colspan="2">Refrigeration dryer</td> <td colspan="2">Sheet 2</td> </tr> <tr> <td colspan="2">TG</td> <td colspan="2">E</td> </tr> </table>								PK&I diagram legend		FKTTGST-00067_00		Refrigeration dryer		Sheet 2		TG		E													
PK&I diagram legend		FKTTGST-00067_00																													
Refrigeration dryer		Sheet 2																													
TG		E																													
<table border="1"> <tr> <td>Date</td> <td>07.05.2019</td> </tr> <tr> <td>Drawn</td> <td>Plau</td> </tr> <tr> <td>Released</td> <td>Schneider</td> </tr> </table>		Date	07.05.2019	Drawn	Plau	Released	Schneider	<table border="1"> <tr> <td>Date</td> <td>Name</td> </tr> <tr> <td></td> <td></td> </tr> </table>		Date	Name			<table border="1"> <tr> <td>Date</td> <td>Name</td> </tr> <tr> <td></td> <td></td> </tr> </table>		Date	Name			<table border="1"> <tr> <td>Date</td> <td>Name</td> </tr> <tr> <td></td> <td></td> </tr> </table>		Date	Name								
Date	07.05.2019																														
Drawn	Plau																														
Released	Schneider																														
Date	Name																														
Date	Name																														
Date	Name																														
<table border="1"> <tr> <td>Revision</td> <td>Date</td> <td>Name</td> </tr> <tr> <td></td> <td></td> <td></td> </tr> </table>		Revision	Date	Name				<table border="1"> <tr> <td>Revision</td> <td>Date</td> <td>Name</td> </tr> <tr> <td></td> <td></td> <td></td> </tr> </table>		Revision	Date	Name				<table border="1"> <tr> <td>Revision</td> <td>Date</td> <td>Name</td> </tr> <tr> <td></td> <td></td> <td></td> </tr> </table>		Revision	Date	Name				<table border="1"> <tr> <td>Revision</td> <td>Date</td> <td>Name</td> </tr> <tr> <td></td> <td></td> <td></td> </tr> </table>		Revision	Date	Name			
Revision	Date	Name																													
Revision	Date	Name																													
Revision	Date	Name																													
Revision	Date	Name																													

## 13.3 Electrical Diagram

1	2	3	4	5	6	7	8
<p><b>Wiring Diagram</b> refrigeration dryer series TG</p> <p>460V±10% 3Ph 60Hz</p> <p>Power supply: WYE system with center point solidly grounded</p>							
<p><b>ATTENTION !!!</b> The document gives collective information on power supply voltages and frequencies for all machines. The voltage and frequency and local conditions under which any particular machine may be used are given on the nameplate of the machine and in the accompanying service manual.</p>							
<p><b>manufacturer:</b> KAESER COMPRESSORS 96450 Coburg GERMANY</p>							
<p>The drawings remain our exclusive property. They are entrusted only for the agreed purpose. Copies or any other reproductions, including storage, treatment and dissemination by use of electronic systems must not be made for any other than the agreed purpose. Neither originals nor reproductions must be forwarded or otherwise made accessible to third parties.</p>							
c		Date		21.02.2019		USE	
b		Drawn		Siller			
a		Released		Gegner			
A. Change		Date		Name			
				<p>cover page refrigeration dryer series TG</p>			
				=			
				+			
				DTG-U3000.00			
				page		1	
				1		Sheet	

Lfd. Nr. No.	Benennung Name	Zeichnungsnummer (Kunde) Drawing No. (customer)	Zeichnungsnummer (Hersteller) Drawing No. (manufacturer)	Blatt Page	Anlagenkennzeichen Unit designation
1	cover page		DTG-U3000.00	1	
2	list of contents		ZTG-U3000.00	1	
3	general instructions		UTG-U3000.00	1	
4	electrical component parts list		UTG-U3000.00	2	
5	electrical component parts list		UTG-U3000.00	3	
6	wiring diagram		STG-U3000.00	1	
7	wiring diagram	power supply/power unit	STG-U3000.00	2	
8	wiring diagram		STG-U3000.00	3	
9	wiring diagram		STG-U3000.00	4	
10	wiring diagram	option K1	STG-U3000.00	5	
11	wiring diagram	option K2	STG-U3000.00	6	
12	wiring diagram		STG-U3000.00	7	
13	wiring diagram		STG-U3000.00	8	
14	wiring diagram	Handling: Terminals / Feed line connection	STG-U3000.00	9	
15	terminal connection	terminal strip -X1-X31-X3	KTG-U3000.00	1	
16	terminal connection	terminal strip -X2	KTG-U3000.00	2	
17	terminal connection	terminal strip -X21	KTG-U3000.00	3	
18	lay-out	Switchboard	ATG-U3000.00	1	

c	Date	21.05.2019				
b	Drawn		Siller			
a	Released		Gegner			
B. Change	Date		Name			
				list of contents	=	
				refrigeration dryer series TG	+	
				ZTG-U3000.00		
					page	1
					Sheet	1

1	2	3	4	5	6	7	8
<p><b>general instructions</b></p> <p><b>ATTENTION !!!</b> Install supplies, grounding and shock protection to local safety regulations. Do not make or break live plug-in connectors.</p> <p>control cabinet wiring for non-designated conductors with multi-standard stranded conductors</p> <p>primary circuits:          black H07V-K, UL-Style 1015, CSA-TEW          blue 1mm<sup>2</sup> H05V-K, 18AWG UL-Style 1015, CSA-TEW          white/blue 1mm<sup>2</sup> H05V-K, 18AWG UL-Style 1015, CSA-TEW          brown 1mm<sup>2</sup> H05V-K, 18AWG UL-Style 1015, CSA-TEW          green/yellow H07V-K, UL-Style 1015, CSA-TEW</p>							
<p>option K1 = air cooled</p> <p>option K2 = water cooled</p> <p>option C36 = warning pressure dew point</p> <p>option C37 = Refrigerant compressor running</p>							
<p><b>electrical equipment identification</b></p> <p>-B30 safety air pressure switch (Pressure limiter)          -B32 pressure transducer (Liquefaction pressure)          -B33 pressure transducer (Gassing pressure)          -B34 Temperature measuring transducer (pressure dew point)          -B41 Temperature measuring transducer (Ambient temperature) - option K1          Temperature measuring transducer          (Cooling water temperature inlet) - option K2</p> <p>-21FU fuse, power supply          -F30,-F50,-F60 circuit breaker          -31FU fuse - option K1          -K20 Display          -K21 control          -K33 condensate drain          -K31,-K50...-K53 coupling relay</p> <p>-M20 control valve water cooling - option K2          -M30,-M50,-M60 Refrigerant compressor with overload protection          -M31 vent motor - option K1          -Q0 main disconnect          -Q30,-Q50,-Q60 motor starter Refrigerant compressor          -T21 power supply          -X1,-X31 terminal strip          -X2,-X21,-X22 transfer module          -X3 terminal - option K1          -X10 Rail system</p>							
<p style="text-align: center;"><b>KAESER</b> KOMPRESSOREN</p> <p>general instructions refrigeration dryer series TG</p>							
<p>c Date 21.05.2019</p> <p>b Drawn Siller</p> <p>a Released Gagner</p>						<p>UTG-U3000.00</p>	
<p>c Change</p>						<p>page 1 3 SHL</p>	

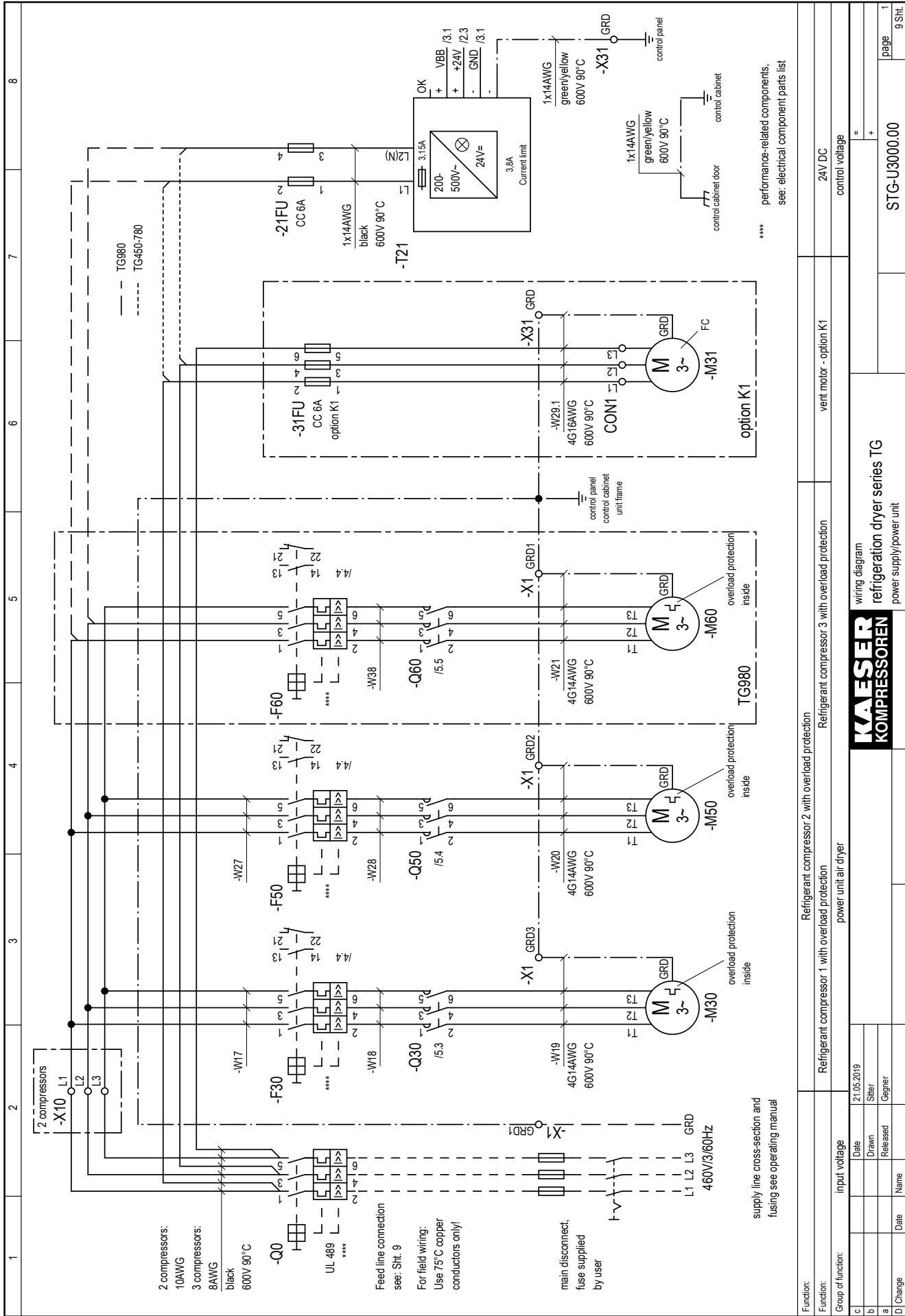
model	electrical component parts list				page 2	3 Sht.
	TG 450	TG 520	TG 650	TG 780		
machine power supply	460 V ±10 %, 60 Hz	460 V ±10 %, 60 Hz	460 V ±10 %, 60 Hz	460 V ±10 %, 60 Hz	+ =	UTG-U3000.00
supply connection	fig. 10, Sht. 9	fig. 10, Sht. 9	fig. 10, Sht. 9	fig. 10, Sht. 9		
GRD terminal	-X1 7.3149.01980 WKFN 10 D1/2/SL/35 Stripped length 15 mm Handling fig. 2, Sht. 9	7.3149.01980 WKFN 10 D1/2/SL/35 15 mm fig. 2, Sht. 9	7.3149.01980 WKFN 10 D1/2/SL/35 15 mm fig. 2, Sht. 9	7.3149.01980 WKFN 10 D1/2/SL/35 15 mm fig. 2, Sht. 9	electrical component parts list refrigeration dryer series TG	KAESER KOMPRESSOREN
GRD terminal	Wieland 2x 7.3149.01830 WKFN 4 SL/35	Wieland 2x 7.3149.01830 WKFN 4 SL/35	Wieland 2x 7.3149.01830 WKFN 4 SL/35	Wieland 2x 7.3149.01830 WKFN 4 SL/35		
GRD terminal	-X31 7.3149.01830 Wieland WKFN 4 SL/35	7.3149.01830 Wieland WKFN 4 SL/35	7.3149.01830 Wieland WKFN 4 SL/35	7.3149.01830 Wieland WKFN 4 SL/35	Date	Name
Rail system	-X10 7.8237.00010 Siemens 3RV2917-1E	7.8237.00010 Siemens 3RV2917-1E	7.8237.00010 Siemens 3RV2917-1E	7.8237.00010 Siemens 3RV2917-1E		
contactor	-Q30/-Q50 7.8237.00320 Siemens 3RT2017-2BB41 24 VDC	7.8237.00320 Siemens 3RT2017-2BB41 24 VDC	7.8237.00330 Siemens 3RT2018-2BB41 24 VDC	7.8237.00330 Siemens 3RT2018-2BB41 24 VDC	Date	Name
circuit breaker	-F30/-F50 7.8237.00140 3RV2011-1HA20 5.5-8 A setting: 6.0 A	7.8237.00140 3RV2011-1HA20 5.5-8 A setting: 7.5 A	7.8237.00150 3RV2011-1JA20 7-10 A setting: 9.0 A	7.8237.00170 3RV2011-1KA20 9-12.5 A setting: 10.5 A		
auxiliary switch	7.8237.00250 Siemens 3RV2901-2E	7.8237.00250 Siemens 3RV2901-2E	7.8237.00250 Siemens 3RV2901-2E	7.8237.00250 Siemens 3RV2901-2E	Date	Name
fuse socket	-21FU 7.3320.00070 Wöhner Class CC 2-pol 31296	7.3320.00070 Wöhner Class CC 2-pol 31296	7.3320.00070 Wöhner Class CC 2-pol 31296	7.3320.00070 Wöhner Class CC 2-pol 31296		
fuse socket	-31FU 7.3320.00060 option K1 Wöhner Class CC 3-pol 31297	7.3320.00060 Wöhner Class CC 3-pol 31297	7.3320.00060 Wöhner Class CC 3-pol 31297	7.3320.00060 Wöhner Class CC 3-pol 31297	Date	Name
fuse	-21FU 2x 7.3161.00340 ATDR 6 6 A, 600 V Ferraz	2x 7.3161.00340 ATDR 6 6 A, 600 V Ferraz	2x 7.3161.00340 ATDR 6 6 A, 600 V Ferraz	2x 7.3161.00340 ATDR 6 6 A, 600 V Ferraz		
fuse option K1	-31FU 3x 7.3161.00340 ATDR 6 6 A, 600 V Ferraz	3x 7.3161.00340 ATDR 6 6 A, 600 V Ferraz	3x 7.3161.00340 ATDR 6 6 A, 600 V Ferraz	3x 7.3161.00340 ATDR 6 6 A, 600 V Ferraz	Date	Name
power supply	-T21 7.8726.0 Block PM-0224-038-0 200-500 VAC//24 VDC 3.8 A	7.8726.0 Block PM-0224-038-0 200-500 VAC//24 VDC 3.8 A	7.8726.0 Block PM-0224-038-0 200-500 VAC//24 VDC 3.8 A	7.8726.0 Block PM-0224-038-0 200-500 VAC//24 VDC 3.8 A		
coupling relay	-K31 7.3172.00310 Phoenix RIF-0-RPT-24DC/21	7.3172.00310 Phoenix RIF-0-RPT-24DC/21	7.3172.00310 Phoenix RIF-0-RPT-24DC/21	7.3172.00310 Phoenix RIF-0-RPT-24DC/21	Date	Name
coupling relay	-K50/-K51/-K52/-K53 7.3172.00310 Phoenix Stripped length 8 mm Handling fig. 3, Sht. 9	7.3172.00310 Phoenix RIF-0-RPT-24DC/21 8 mm fig. 3, Sht. 9	7.3172.00310 Phoenix RIF-0-RPT-24DC/21 8 mm fig. 3, Sht. 9	7.3172.00310 Phoenix RIF-0-RPT-24DC/21 8 mm fig. 3, Sht. 9		
transfer module	-X2/-X21/-X22 7.8283.0 Wieland 99.808.5333.8 9 mm Stripped length Handling fig. 1, Sht. 9	7.8283.0 Wieland 99.808.5333.8 9 mm fig. 1, Sht. 9	7.8283.0 Wieland 99.808.5333.8 9 mm fig. 1, Sht. 9	7.8283.0 Wieland 99.808.5333.8 9 mm fig. 1, Sht. 9	Date	Name
terminal	-X3 7.8237.00850 Wieland 99.752.5333.8	7.8237.00850 Wieland 99.752.5333.8	7.8237.00850 Wieland 99.752.5333.8	7.8237.00850 Wieland 99.752.5333.8		
connection	-W17/-W27 7.8237.00030 Siemens 3RV2917-5A	7.8237.00030 Siemens 3RV2917-5A	7.8237.00030 Siemens 3RV2917-5A	7.8237.00030 Siemens 3RV2917-5A	Date	Name
connection	-W18/-W28 7.8237.00040 Siemens 3RA2911-2A	7.8237.00040 Siemens 3RA2911-2A	7.8237.00040 Siemens 3RA2911-2A	7.8237.00040 Siemens 3RA2911-2A		
circuit breaker	-Q0 7.8237.00370 3RV2721-4CD10 22 A / 460 V, 50kA Stripped length 10 mm Torque 24 lb-in	7.8237.00370 3RV2721-4CD10 22 A / 460 V, 50kA 10 mm 24 lb-in	7.8237.00370 3RV2721-4CD10 22 A / 460 V, 50kA 10 mm 24 lb-in	7.8237.00380 3RV2742-5FD10 35 A / 460 V, 50kA 17 mm 46 lb-in	Date	Name
rotary actuator	7.8237.00270 Siemens 3RV2926-2BA00	7.8237.00270 Siemens 3RV2926-2BA00	7.8237.00270 Siemens 3RV2926-2BA00	7.8237.00480 Siemens 3RV2946-2B		
control	-K21 7.9200.11000 ifm CR 9052	7.9200.11000 ifm CR 9052	7.9200.11000 ifm CR 9052	7.9200.11000 ifm CR 9052	Date	Name
Operating panel and display	-K20 7.9200.11010 ifm CR 9047	7.9200.11010 ifm CR 9047	7.9200.11010 ifm CR 9047	7.9200.11010 ifm CR 9047		
communication module	-K1 7.9602.0 Hilscher SNW/CAN-Master	7.9602.0 Hilscher SNW/CAN-Master	7.9602.0 Hilscher SNW/CAN-Master	7.9602.0 Hilscher SNW/CAN-Master	Date	Name

		electrical component parts list		
model		TG 980	page 3 3 Sht.	
machine power supply		460 V ±10 %, 60 Hz		
supply	connection	fig. 10, Sht. 9	=	+
GRD terminal	-X1	7.3149.01980 WKFN 10 D1/2/SL/35	electrical component parts list refrigeration dryer series TG	
	Stripped length	15 mm		
	Handling	fig. 2, Sht. 9		
		2x 7.3149.01830		
	Wieland	WKFN 4 SL/35		
GRD terminal	-X31	7.3149.01830		
	Wieland	WKFN 4 SL/35		
connection	-F30/-F50/-F60	7.6861.00020 3RV1915-1BB		
connectionklemme	-F50/-F60	7.3140.05080 3RV2925-5EB		
circuit breaker	-F30/-F50/-F60	7.8237.00360 3RV2011-1KA10 9-12.5 A setting: 10.5 A		
auxiliary switch		7.8237.00250 3RV2901-2E		
	Siemens			
contactor	-Q30/-Q50/-Q60	7.8237.00330 3RT2018-2BB41 24 VDC		
	Siemens			
connection	-W18/-W28/-W38	7.8237.00390 3RA2911-2FA00		
	Siemens			
fuse socket	-21FU	7.3320.00070 Class CC 2-pol 31296		
	Wöhner			
fuse socket	-31FU	7.3320.00060 Class CC 3-pol 31297		
option K1				
	Wöhner			
fuse	-21FU	2x 7.3161.00340 ATDR 6 6 A, 600 V		
	Ferraz			
fuse	-31FU	3x 7.3161.00340 ATDR 6 6 A, 600 V		
option K1				
	Ferraz			
power supply	-T21	7.8726.0 PM-0224-038-0 200-500 VAC/24 VDC 3.8 A		
	Block			
coupling relay	-K31	7.3172.00310		
option K1		RIF-0-RPT-24DC/21		
	Phoenix			
coupling relay	-K50/-K51/-K52/-K53	7.3172.00310 RIF-0-RPT-24DC/21 8 mm		
	Phoenix			
	Stripped length	8 mm		
	Handling	fig. 3, Sht. 9		
transfer module	-X2/-X21/-X22	7.8283.0 99.808.5333.8 9 mm		
	Wieland			
	Stripped length	9 mm		
	Handling	fig. 1, Sht. 9		
terminal	-X3	7.8237.00850		
option K1		99.752.5333.8		
	Wieland			
circuit breaker	-Q0	7.8237.00380 3RV2742-5FD10 35 A / 460 V, 50kA		
		17 mm		
	Stripped length	46 lb-in		
rotary actuator		7.8237.00480 3RV2946-2B		
	Siemens			
control	-K21	7.9200.11000 CR 9052		
	ifm			
Operating panel and display	-K20	7.9200.11010 CR 9047		
	ifm			
communication module	-K1	7.9602.0		
Modbus TCP	Hilscher	SNW/CAN-Master		

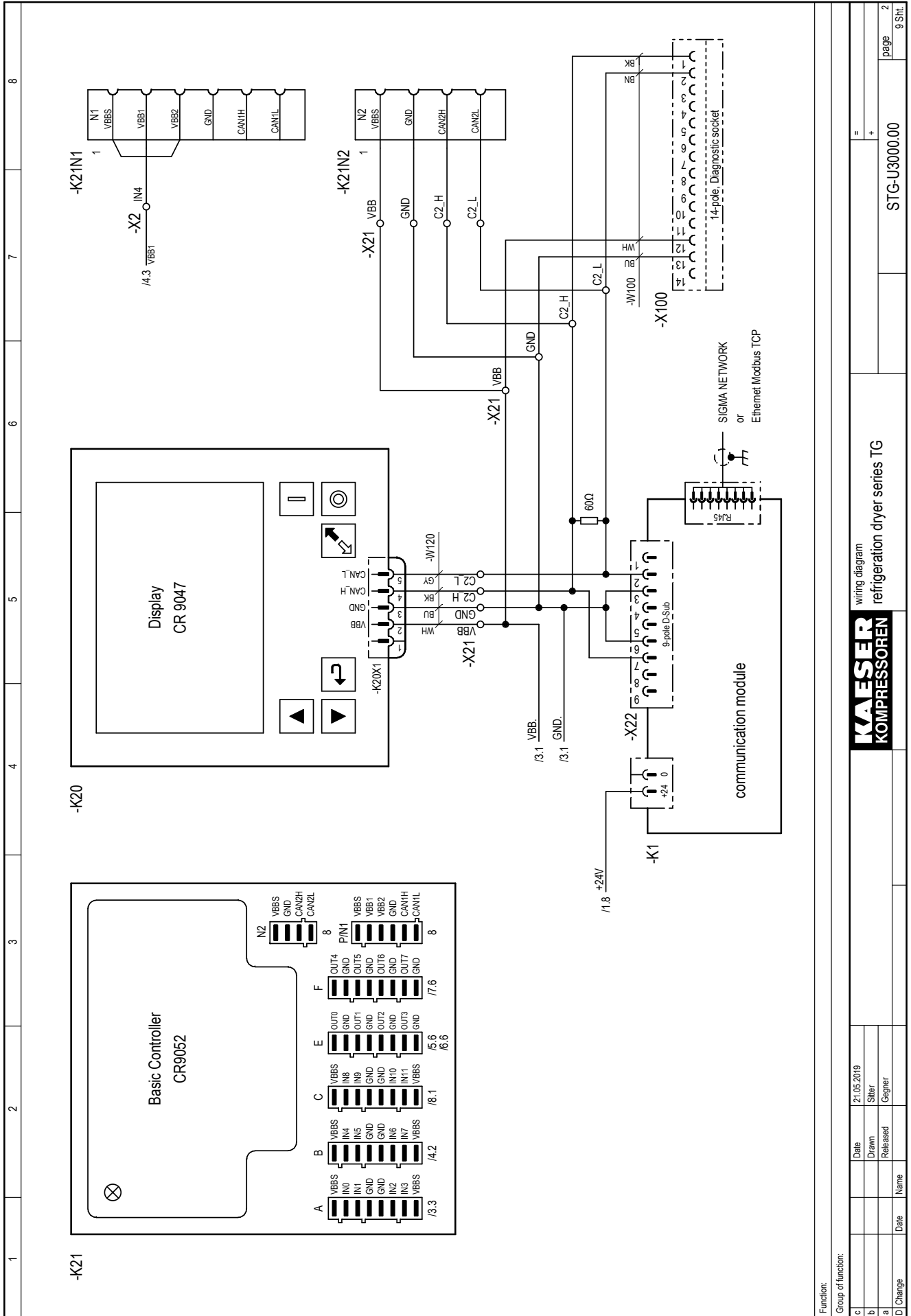
**KAESER**  
**KOMPRESSOREN**

Date: 21.02.2019  
Drawn: Siller  
Released: Geger  
C/Change:

Date: \_\_\_\_\_ Name: \_\_\_\_\_  
Date: \_\_\_\_\_







Function:  
Group of function:

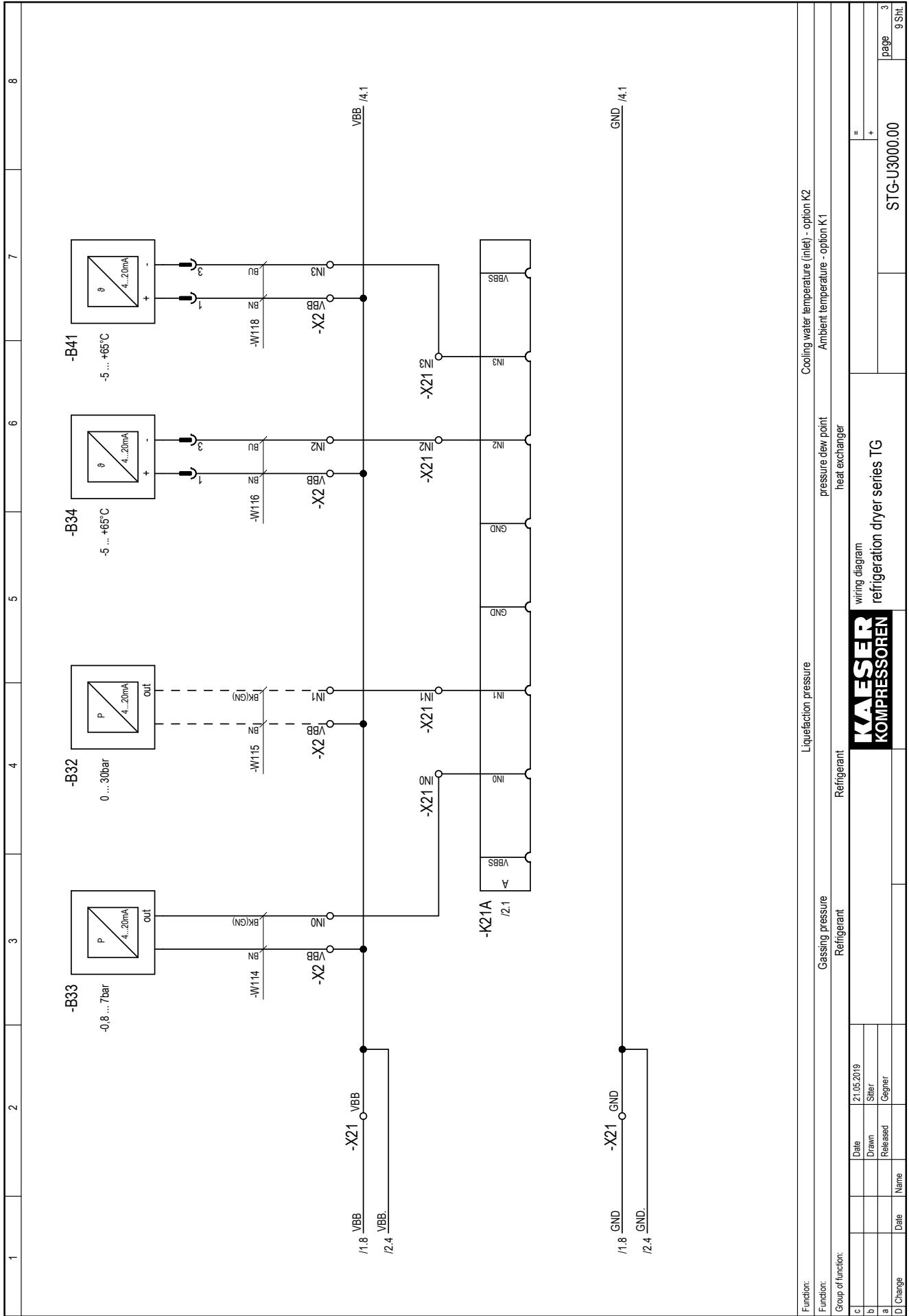
c	Date	21.02.2019
b	Drawn	Siller
a	Released	Gegner
D	Change	
	Date	
	Name	

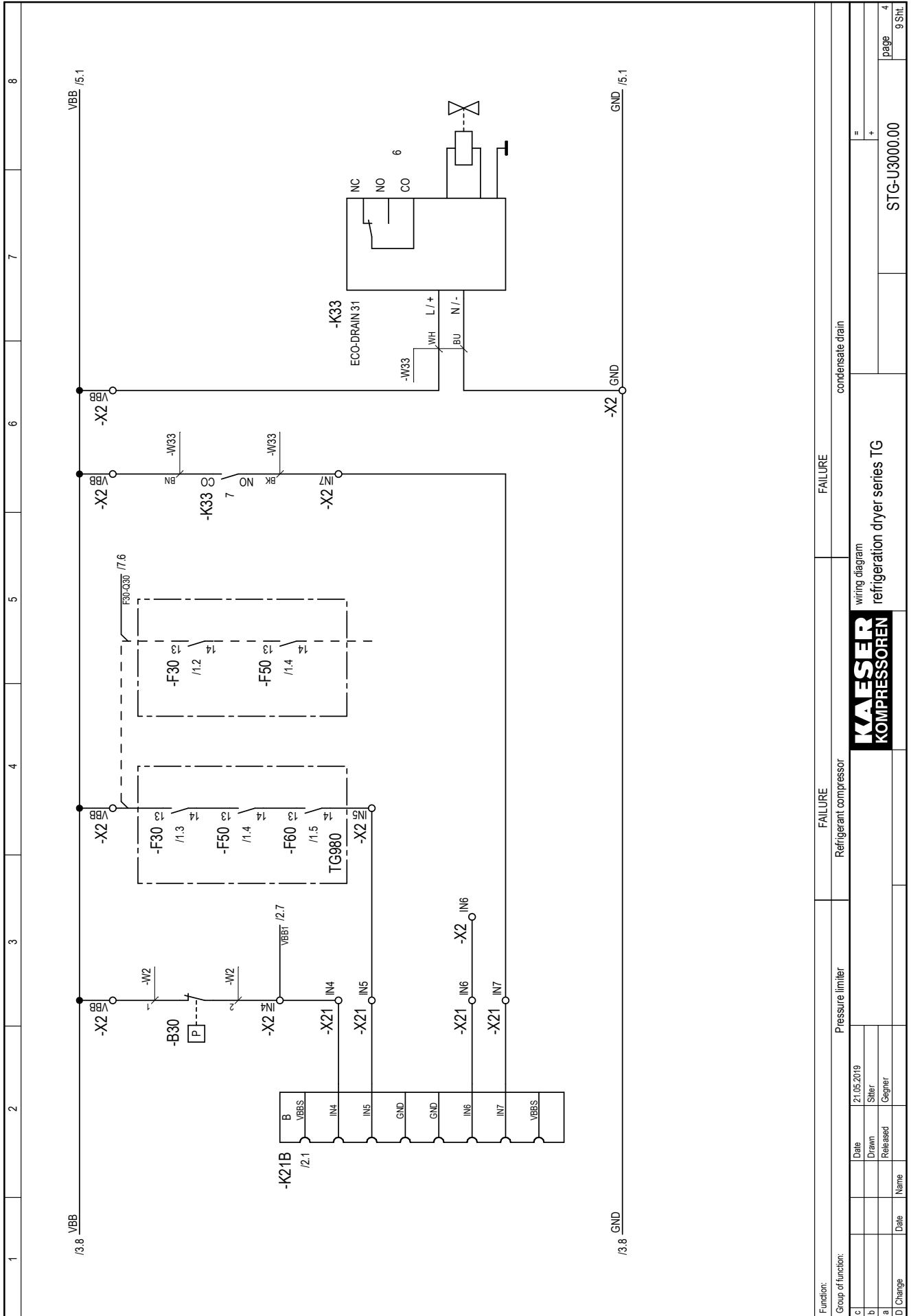
wiring diagram  
refrigeration dryer series TG



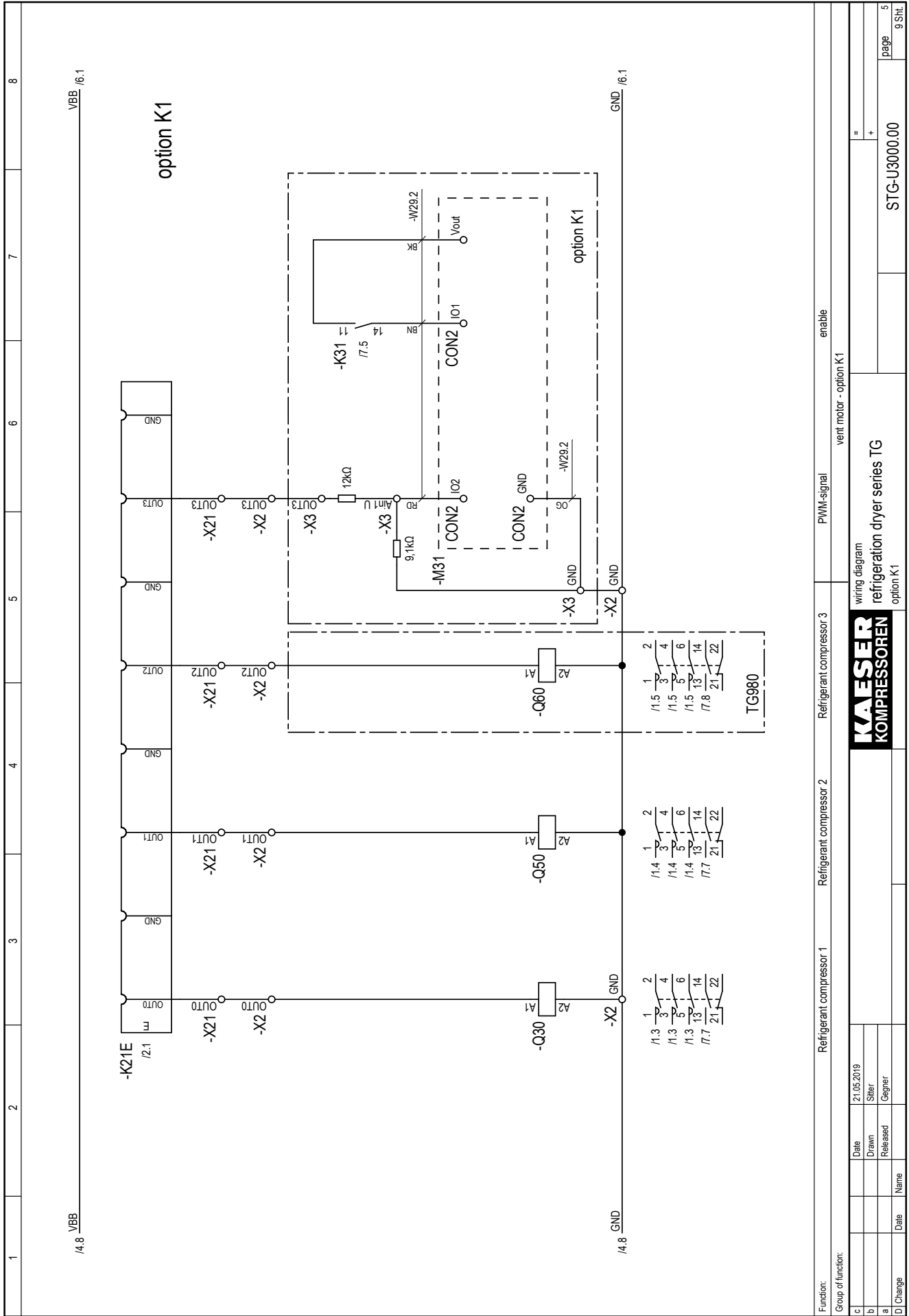
STG-U3000.00

page 2  
9 SHL

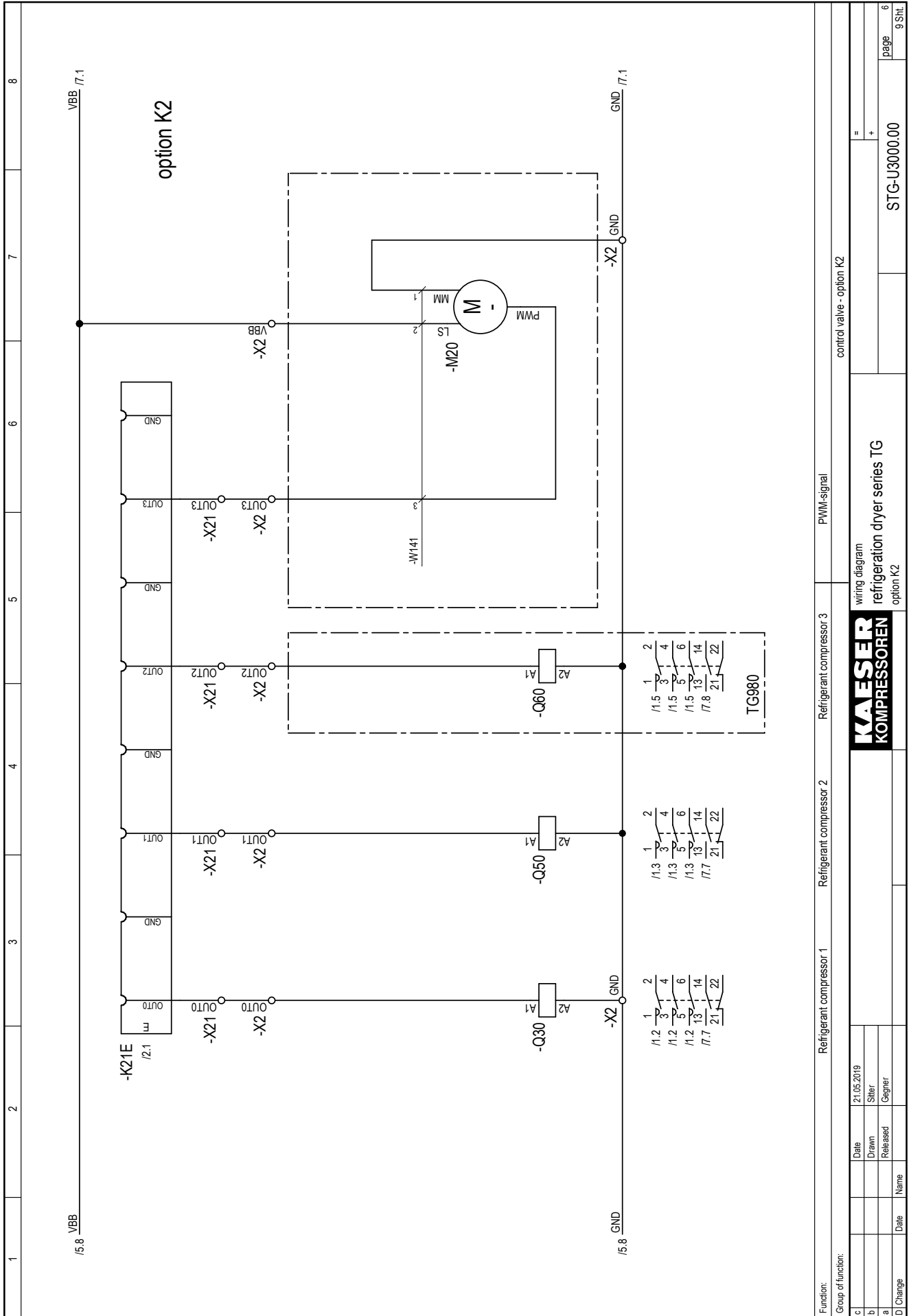




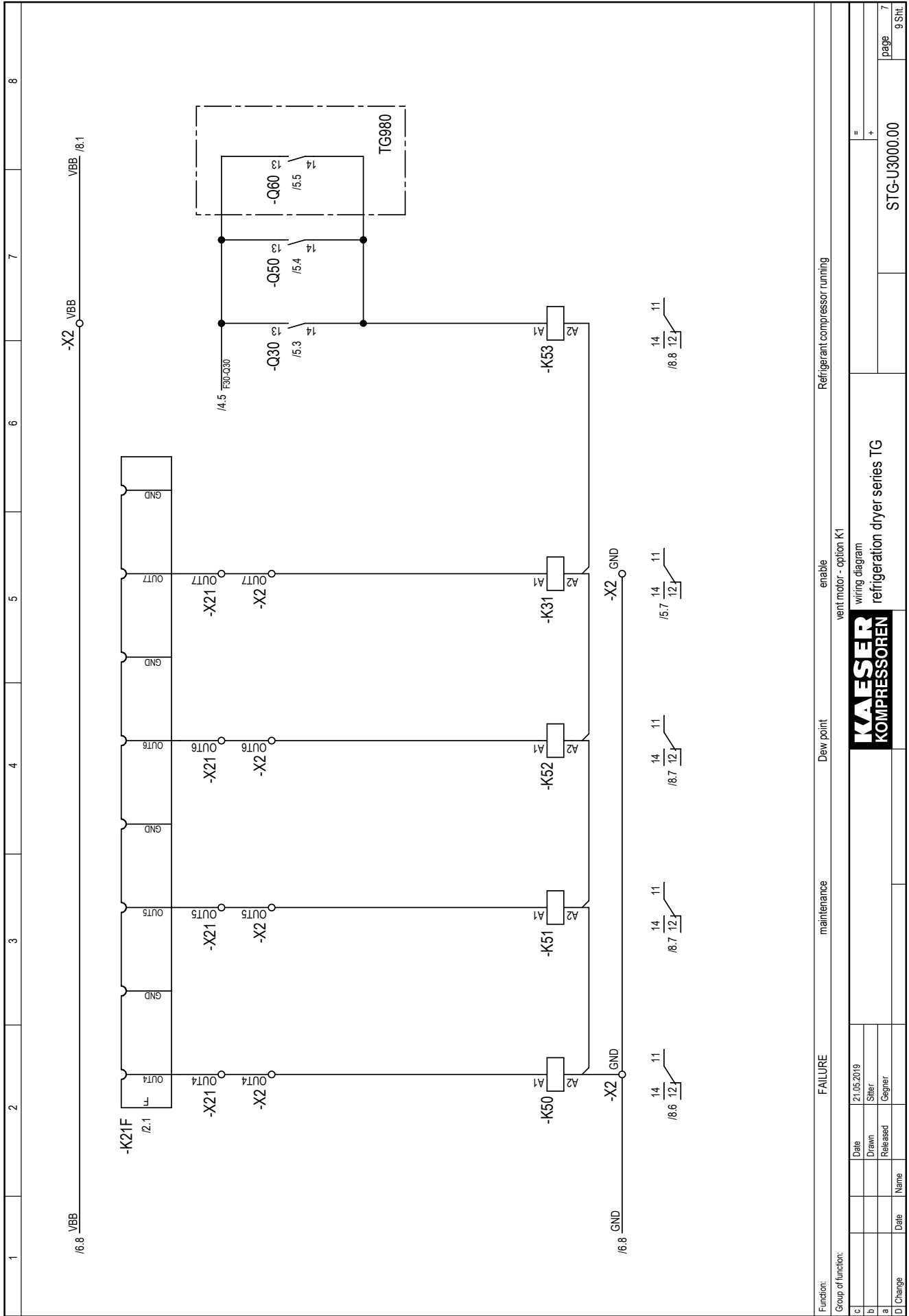
Function:		FAILURE	FAILURE	FAILURE
Group of function:		Refrigerant compressor	condensate drain	
c	Date	21.05.2019		
b	Drawn	Siller		
a	Released	Gegner		
D	Change			
	Date			
	Name			
wiring diagram refrigeration dryer series TG				
KAESER KOMPRESSOREN				
STG-U3000.00				
page 4				9 SHL



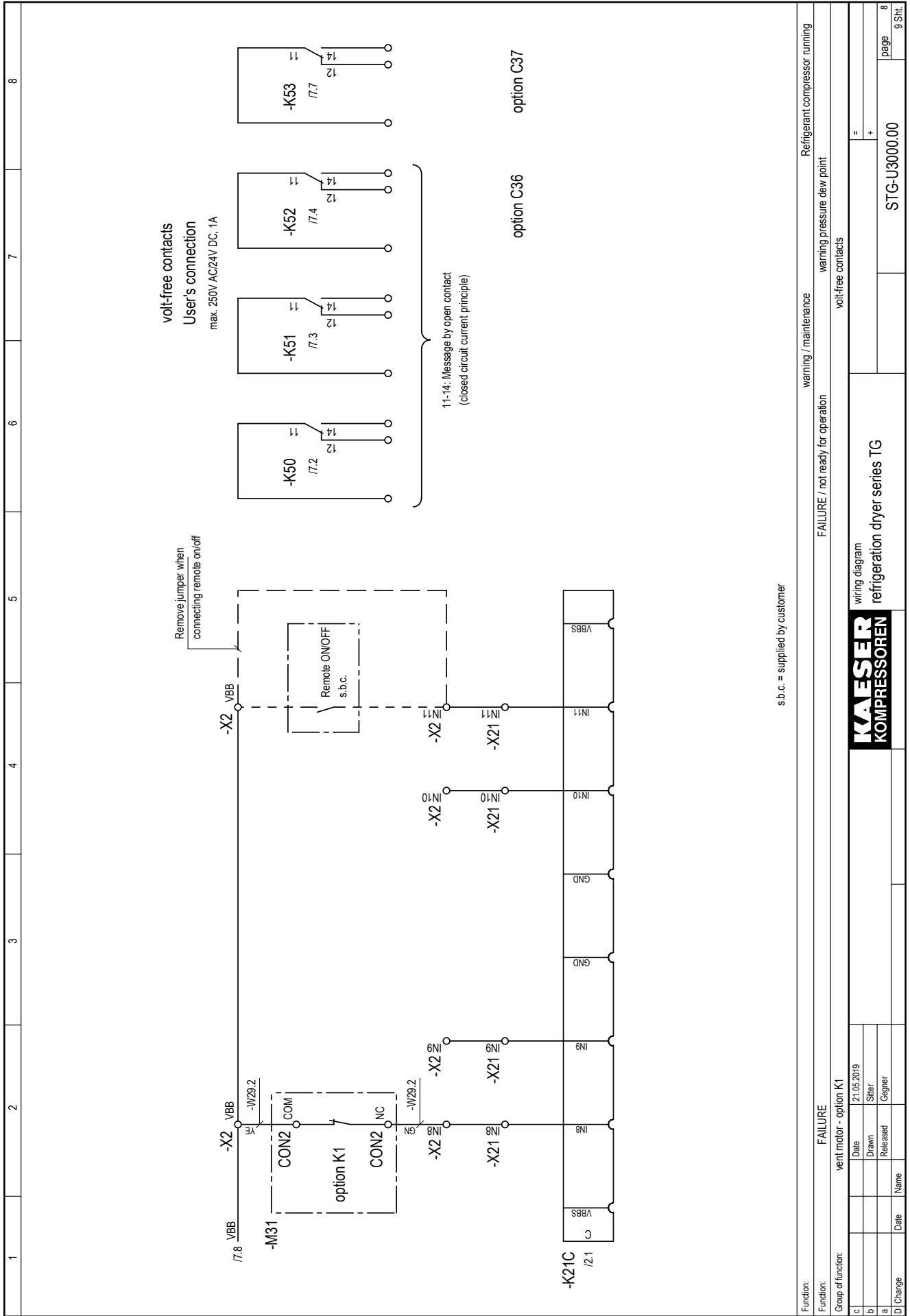
Function:		Refrigerant compressor 1		Refrigerant compressor 2		Refrigerant compressor 3		PWM-signal		enable	
Group of function:		Refrigerant compressor 1		Refrigerant compressor 2		Refrigerant compressor 3		vent motor - option K1			
c	Date	21.05.2019									
b	Drawn	Siller									
a	Released	Gegner									
D	Change	Date	Name								
wiring diagram										=	
refrigeration dryer series TG										+	
option K1										STG-U3000.00	
										page	5
										9 SHL	



Function:		Refrigerant compressor 1		Refrigerant compressor 2		Refrigerant compressor 3		PWM-signal		control valve - option K2	
Group of function:											
c	Date	21.05.2019									
b	Drawn	Siller									
a	Released	Gegner									
D	Change	Date	Name								
								wiring diagram			
								refrigeration dryer series TG			
								option K2			
								STG-U3000.00			
								page		6	
								9 Stk.			



Function:		FAILURE		maintenance		Dew point		enable		Refrigerant compressor running	
Group of function:		vent motor - option K1		wiring diagram		refrigeration dryer series TG		STG-U3000.00		page 7	
Date		21.02.2019		Date		Date		Date		Date	
Drawn		Siller		Released		Gegner		=		+	
D. Change		Date		Name		Date		Name		Date	



1 2 3 4 5 6 7 8

fig. 1: Handling: Control line terminal

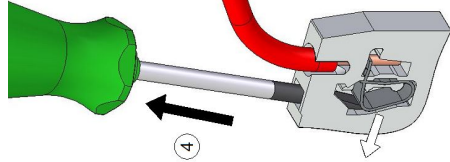
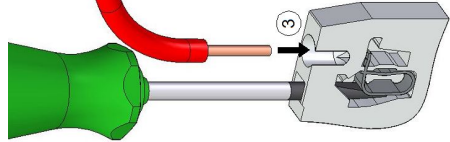
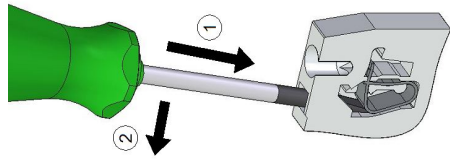


fig. 3: Handling: relay terminal

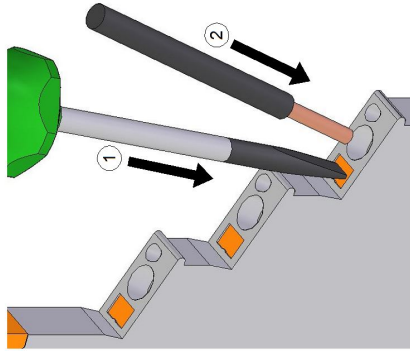


fig. 10: Feed line connection

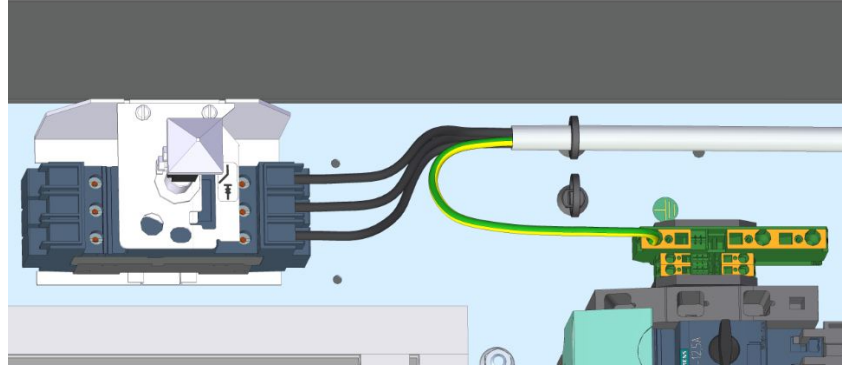
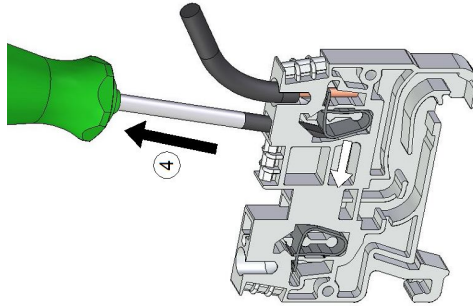
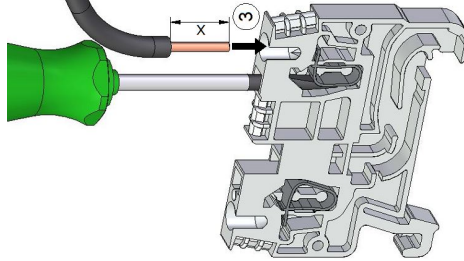
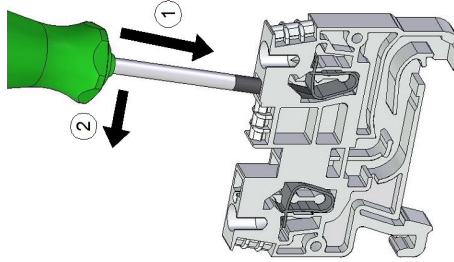


fig. 2: Handling: Supply terminal



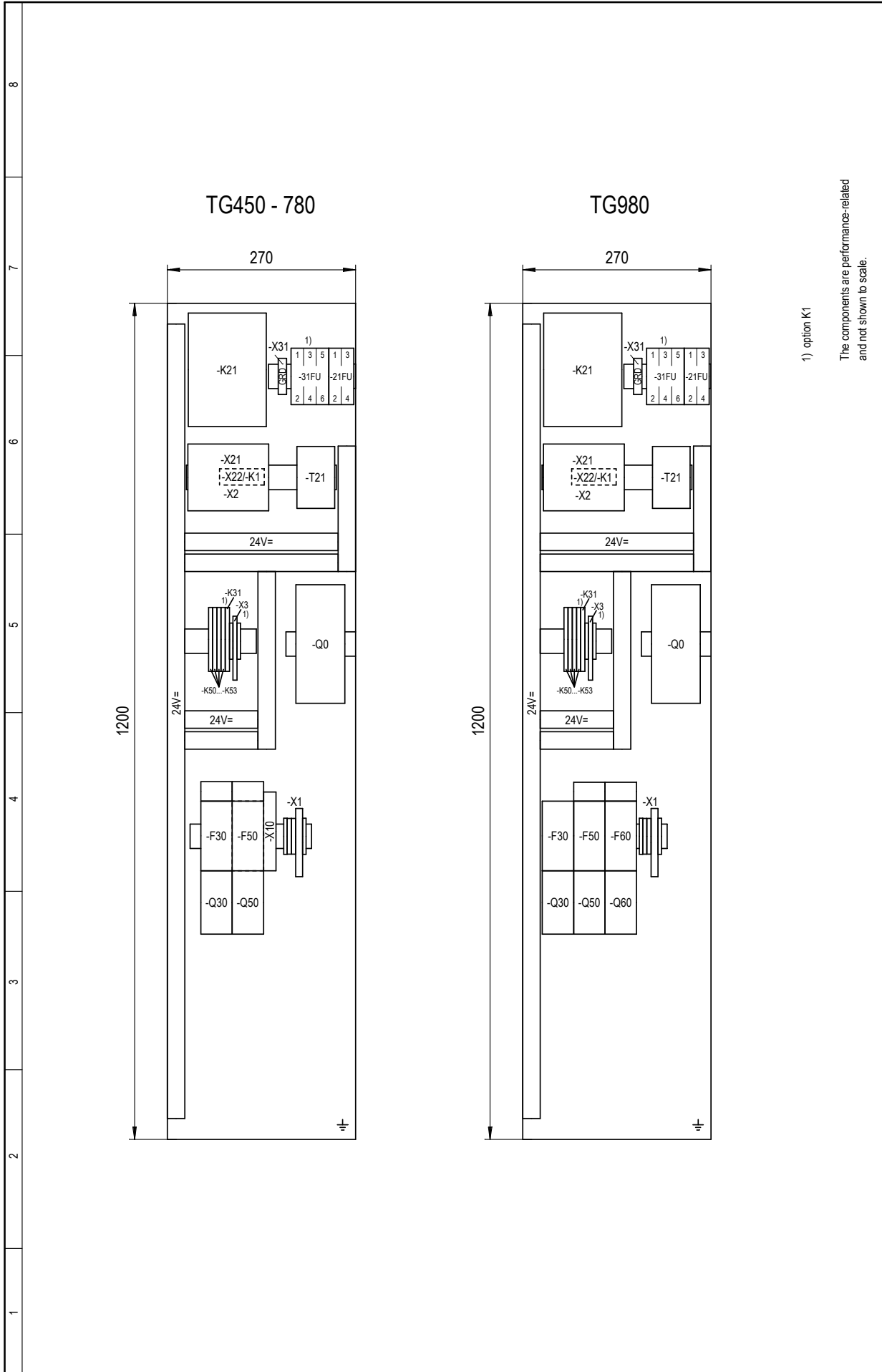
c	Date	21.05.2019	Drawn	Siller	wiring diagram		=	+	STG-U3000.00	page	9
b	Released		Gegner	refrigeration dryer series TG							
a	Date		Name	Handling: Terminals / Feed line connection							
D	Change										











1) option K1  
The components are performance-related and not shown to scale.

c	Date	21.05.2019	lay-out	<b>KAESER</b> KOMPRESSOREN refrigeration dryer series TG Switchboard	ATG-U3000.00	page 1 1 Stk.
b	Drawn	Sitter	=			
a	Released	Gegner	+			
l	Change	Date	Name			