

Operator Manual

Rotary lobe blower

EBC vac SIGMA CONTROL 2

Number: 902314 02 USE

PRELIMINARY
Subject to Revision

Manufacturer:

KAESER KOMPRESSOREN SE

96410 Coburg • PO Box 2143 • GERMANY • Tel. +49-(0)9561-6400 • Fax +49-(0)9561-640130

www.kaeser.com

PRELIMINARY
Subject to Revision

Original instructions
/KKW/BEBCV 2.13 en Z1 SBA-GEBLAESE-SC

20210126 073250

1	Regarding this Document	
1.1	Using this document	1
1.2	Further documents	1
1.3	Copyright	1
1.4	Symbols and labels	1
1.4.1	Warnings	1
1.4.2	Potential damage warnings	2
1.4.3	Other alert notes and their symbols	2
2	Technical Data	
2.1	Nameplate	4
2.2	Option codes	4
2.3	Weight	5
2.3.1	START CONTROL (STC)	5
2.3.2	OMEGA FREQUENCY CONTROL (OFC)	6
2.4	Drive motor	6
2.5	Recommended oil	6
2.6	Lubricating oil charge	7
2.7	Permitted pressure drop	7
2.8	Temperature	7
2.9	Ambient and intake conditions	7
2.10	Sound pressure level	8
2.11	Power Supply	8
2.12	Power supply specifications	9
2.12.1	START CONTROL (STC)	9
2.12.2	OMEGA FREQUENCY CONTROL (OFC)	10
2.13	Options	10
2.13.1	Oil level monitoring	11
2.13.2	Speed monitor	11
2.13.3	Check valve	12
2.13.4	Piped inlet	12
2.13.5	Fan (sound enclosure)	12
2.13.6	Exhaust silencer (pipeline)	12
2.13.7	Exhaust silencer (diffusion to ambient)	12
3	Safety and Responsibility	
3.1	Basic instructions	13
3.2	Specified use	13
3.3	Improper use	13
3.4	User's responsibilities	14
3.4.1	Observe statutory and universally accepted regulations	14
3.4.2	Qualified personnel	14
3.5	Dangers	14
3.5.1	Safely dealing with sources of danger	14
3.5.2	Safe machine operation	16
3.5.3	Organizational measures	18
3.6	Danger areas	19
3.7	Safety devices	19
3.8	Working life of safety functions	19
3.9	Safety signs	20
3.10	In emergency	22
3.10.1	Correct fire fighting	22
3.10.2	Remove lubricating oil from the skin.	23
3.11	Environmental protection	23
3.12	Warranty	23

4	Design and Function	
4.1	Enclosure	24
4.2	SIGMA CONTROL 2 operating panel	25
4.2.1	Keys	25
4.2.2	LEDs	26
4.2.3	RFID sensor field	26
4.3	Machine	27
4.4	Blower block	28
4.5	Safety relief valve	28
4.6	Safety devices	29
4.7	Compensator	29
4.8	Automatic starting	29
4.9	Floating relay contacts	30
4.10	Options	30
4.10.1	Oil level monitor	30
4.10.2	Speed monitor	30
4.10.3	Check valve	30
4.10.4	Piped inlet	30
4.10.5	Exhaust silencer (pipeline)	30
4.10.6	Exhaust silencer (diffusion to surroundings)	31
5	Installation and Operating Conditions	
5.1	Ensuring safety	33
5.2	Installation conditions	33
5.2.1	Determining location and clearances	33
5.2.2	Ensuring adequate ventilation	34
6	Installation	
6.1	Ensuring safety	36
6.2	Reporting transport damage	36
6.3	Anchoring the machine	37
6.4	Connecting the power supply	37
6.4.1	Under frequency control	38
6.5	Connecting to the vacuum network	38
6.6	Sound enclosure: Remove transport securing devices	39
6.7	Fitting the cover plate	39
7	Initial Start-up	
7.1	Ensuring safety	40
7.2	Instructions to be observed before commissioning	40
7.3	Checking installation and operating conditions	41
7.4	Re-greasing the motor bearings	42
7.5	Configuring the controller	42
7.6	Setting the display language	42
7.7	Checking the direction of rotation	43
7.8	START CONTROL (STC): Setting the overload protection cut-out	43
7.9	Starting the machine for the first time	43
8	Operation	
8.1	Switching on and off	45
8.1.1	Switching on	45
8.1.2	Switching off	46
8.2	Switching off in an emergency and switching on again	46
8.3	Switching on and off from a remote control center	47
8.4	Switching on and off with the clock (timer)	48
8.5	Checking the ventilator fan function (sound enclosure)	49

8.6	Interpreting operation messages	49
8.7	Acknowledging alarm and warning messages	49
9	Fault Recognition and Rectification	
9.1	Basic instructions	51
9.2	Other faults	51
9.3	Sound enclosure faults	52
10	Maintenance	
10.1	Ensuring safety	53
10.2	Maintenance schedule	54
10.2.1	Logging maintenance work	54
10.2.2	Resetting maintenance interval counters	54
10.2.3	Regular maintenance tasks	54
10.2.4	Regular service tasks	55
10.3	Cleaning or replacing the control cabinet filter mats	56
10.4	Sound enclosure	57
10.5	Drive belt maintenance	57
10.6	Checking the oil level	58
10.7	Replenishing lubricating oil	59
10.8	Changing the oil	60
10.9	Air filter maintenance	61
10.10	Air filter maintenance	62
10.11	Machine cleaning	62
10.12	Motor maintenance	63
10.12.1	Drive motor bearings with re-greasing facility	63
10.12.2	Permanently greased drive motor bearings	64
10.12.3	Fan motor	64
10.13	Testing the safety relief valve	64
10.14	Testing the EMERGENCY STOP push button	65
10.15	Checking rotors for contamination	65
10.16	Documenting maintenance and service work	66
11	Spares, Operating Materials, Service	
11.1	Note the nameplate	67
11.2	Ordering spares and operating fluids/materials	67
11.3	Replacement parts for service and repair	67
11.3.1	Option C33, START CONTROL (STC)	67
11.3.2	Option C34, OMEGA FREQUENCY CONTROL (OFC)	70
11.4	KAESER AIR SERVICE	73
11.5	Completing the contamination declaration	73
12	Decommissioning, Storage and Transport	
12.1	Decommissioning	74
12.2	Packing	74
12.3	Transport	75
12.3.1	Safety	75
12.3.2	Transport machine with a pallet truck or forklift truck	75
12.4	Storage	75
12.5	Disposal	76
13	Annex	
13.1	Pipeline and instrument flow diagram (P+I diagram)	77
13.2	Dimensional drawing	80
13.3	Design diagrams	83
13.4	Sound emission	86
13.5	Electrical diagrams	89

13.5.1	Option C33, START CONTROL (STC)	89
13.5.2	Option C34, OMEGA FREQUENCY CONTROL (OFC)	140
13.6	Project planning data	177

PRELIMINARY
Subject to Revision

Fig. 1	Three-phase star (wye); 4 wire; center point solidly grounded	9
Fig. 2	Three-phase star (wye); 3 wire; center point solidly grounded	9
Fig. 3	Location of the safety signs on the machine	20
Fig. 4	Safety sign location, electronically actuated components	20
Fig. 5	Safety sign position, exhaust silencer, Option H16, H19	20
Fig. 6	Enclosure	24
Fig. 7	Indicating and operating elements	25
Fig. 8	Indicating and operating elements	26
Fig. 9	RFID sensor field	27
Fig. 10	Machine	27
Fig. 11	Blower block	28
Fig. 12	Safety relief valve	28
Fig. 13	Compensator	29
Fig. 14	Exhaust silencer (pipeline)	31
Fig. 15	Exhaust silencer (diffusion to surroundings)	32
Fig. 16	Recommended machine placement, minimum dimensions [in.]	34
Fig. 17	Removing the transport securing devices	39
Fig. 18	Fitting the cover plate	39
Fig. 19	Switching on and off	45
Fig. 20	Switching off in an emergency	46
Fig. 21	Switching on and off from a remote control center	47
Fig. 22	Switching on and off with the clock (timer)	48
Fig. 23	Acknowledging messages	50
Fig. 24	Control cabinet ventilation grill	56
Fig. 25	Sound enclosure	57
Fig. 26	Drive belt maintenance	58
Fig. 27	Checking the oil level	59
Fig. 28	Replenishing lubricating oil	60
Fig. 29	Changing the oil	61
Fig. 30	Changing the air filter	62
Fig. 31	Maintenance of a drive motor with re-greasing facility	64
Fig. 32	Testing the EMERGENCY STOP push button	65
Fig. 33	Transport	75

PRELIMINARY
Subject to Revision

Tab. 1	Danger levels and their definition (personal injury)	1
Tab. 2	Danger levels and their definition (damage to property)	2
Tab. 3	Nameplate	4
Tab. 4	Option codes	4
Tab. 5	START CONTROL (STC) weight	5
Tab. 6	Weight OMEGA FREQUENCY CONTROL (OFC)	6
Tab. 7	Drive motor	6
Tab. 8	Recommended oil	6
Tab. 9	Lubricating oil charge	7
Tab. 10	Temperature	7
Tab. 11	Ambient and intake conditions	8
Tab. 12	Rated power supply 208V±10% / 3 / 60Hz	9
Tab. 13	Rated power supply 230V±10% / 3 / 60Hz	10
Tab. 14	Rated power supply 460V±10% / 3 / 60Hz	10
Tab. 15	Rated power supply 575V±10% / 3 / 60Hz	10
Tab. 16	Rated power supply 460V/ 3 / 60Hz	10
Tab. 17	Oil level monitoring (Option C5)	11
Tab. 18	Speed monitor (Option C10)	11
Tab. 19	Speed monitor sensor (Option C10)	11
Tab. 20	Check valve (Option G1)	12
Tab. 21	Fan flow rate	12
Tab. 22	Danger areas	19
Tab. 23	Category and Performance Level	19
Tab. 24	Safety signs	20
Tab. 25	Controls	25
Tab. 26	Display elements	26
Tab. 27	RFID sensor field	27
Tab. 28	Recommended machine placement, minimum dimensions	34
Tab. 29	Compensator torques	38
Tab. 30	Recommissioning after storage/standstill	41
Tab. 31	Installation conditions check list	41
Tab. 32	Starting frequency	45
Tab. 33	Machine identification	47
Tab. 34	Remote control identification	47
Tab. 35	Machine identification	48
Tab. 36	Other faults and remedies	51
Tab. 37	Faults and remedies (option H12)	52
Tab. 38	Regular maintenance tasks	54
Tab. 39	Regular service tasks	55
Tab. 40	Logged maintenance tasks	66
Tab. 41	Consumable parts	67
Tab. 42	Blower block diagram (machine layout)	83
Tab. 43	Diagram legend	83
Tab. 44	Sound emission - legend	86

PRELIMINARY
Subject to Revision

1 Regarding this Document

1.1 Using this document

This operating or installation manual is part of the machine. It describes the machine as it was at the time of first delivery after manufacture.

- Keep the operating manual in a safe place throughout the life of the machine.
- Pass the operating manual on to the next owner/user.
- Ensure that all amendments received are entered or inserted in the operating manual.
- Enter details from the machine nameplate and individual items of equipment in the tables in chapter 2.

1.2 Further documents

Included with this Operating Manual are additional documents intended to assist in the safe operation of the machine:

- Manufacturer's Declaration or Declaration of Conformity according to applicable directives.
- User Manual for SIGMA CONTROL 2.

Missing documents can be requested from KAESER.

- Ensure that all documents are complete and observe the instructions contained within them.
- Ensure that you provide the data from the nameplate when ordering documents.

1.3 Copyright

This operator manual is copyright protected. Queries regarding use or duplication of the documentation should be referred to KAESER. Correct use of information will be fully supported.

1.4 Symbols and labels

- Please note the symbols and labels used in this document.

1.4.1 Warnings

Warnings indicate danger potentially resulting in personal injury, if the measures specified are not taken.

Warnings indicate three levels of danger identified by the corresponding signal word:

Signal term	Meaning	Consequences of non-compliance
DANGER	Warns of imminent danger	Will very likely result in death or severe injury
WARNING	Warns of potentially imminent danger	May result in death or severe injury
CAUTION	Warns of a potentially dangerous situation	May result in moderate physical injury

Tab. 1 Danger levels and their definition (personal injury)

Warning notes may precede a chapter. They apply to the entire chapter including all sub-sections.

1 Regarding this Document

1.4 Symbols and labels

Example:

⚠ DANGER

The type and source of the imminent danger is shown here!

The possible consequences of ignoring a warning are shown here.

The word "DANGER" indicates that death or severe injury can very likely result from ignoring the warning.

➤ *The measures required to protect yourself from danger are shown here.*

Warning notes referring to a sub-section or the subsequent step are integrated into the procedure and numbered as a step.

Example:

1. **⚠ WARNING** *The type and source of the imminent danger is shown here!*
The possible consequences of ignoring a warning are shown here.
The word "WARNING" indicates that death or severe injury may result from ignoring the warning.
➤ *The measures required to protect yourself from danger are shown here.*
2. Always read and comply with warning instructions.

1.4.2 Potential damage warnings

Contrary to the warnings shown above, damage warnings do not indicate potential personal injury.

Damage warnings have only one danger level, identified by this signal word:

Signal term	Meaning	Consequences of non-compliance
NOTE	Warns of a potentially dangerous situation	Damage to property is possible

Tab. 2 Danger levels and their definition (damage to property)

Example:

⚠ NOTICE

The type and source of the imminent danger is shown here!

Potential effects when ignoring the warning are indicated here.

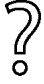

➤ *The protective measures against the damages are shown here.*

➤ Carefully read and fully comply with warnings against damages.

1.4.3 Other alert notes and their symbols



This symbol indicates particular important information.

- Material** Here you will find details on special tools, operating materials or spare parts.
- Precondition** Here you will find conditional requirements necessary to carry out the task.
The conditional requirements relevant to safety shown here will help you to avoid dangerous situations.
- Option H12** ➤ This symbol is placed by lists of actions comprising one stage of a task.
Operating instructions with several steps are numbered in the sequence of the operating steps.
Information relating to one option only are marked with an option code (e.g., H12 indicates that this section applies only to machines with sound enclosure). Option codes used in this operating manual are explained in chapter 2.2.
-  Information referring to potential problems are identified by a question mark.
The cause is specified in the help text ...
➤ ... as is a solution.
-  This symbol refers to important information or measures concerning environmental protection.
- Further information** Further subjects are introduced here.

2 Technical Data

2.1 Nameplate

The machine's nameplate provides the model designation and important technical information. The nameplate is attached to the machine base and at the left side wall of the sound enclosure (Option H12).

The nameplate data relates to Standard intake conditions of 14.7 psi and 68 F.

➤ Enter the data from the nameplate here as a reference.

Feature	Value
Rotary lobe blowers	
Material No.	
Serial No.	
Ambient temperature	
Rated power	
Rated motor speed	
Full load current	
Full load current drive motor	
Electrical connection	
Electrical diagram	
Year of manufacture	

Tab. 3 Nameplate

2.2 Option codes

The table contains a list of possible options.

➤ Enter options here as a reference:

Option	Option code	Available?
Operating mode: Vacuum	B14	✓
Oil level monitoring	C5	
Speed monitor	C10	
Unloaded start valve (AFE)	C11	—
Unloaded start valve with regulating valve (AFR)	C18	—
Under frequency control	C32	
START CONTROL (STC)	C33	
OMEGA FREQUENCY CONTROL (OFC)	C34	
Oil temperature monitoring	C39	—
Communication module: PROFIBUS DP	C41	

Available: ✓

Not available: —

Option	Option code	Available?
Communication module: Modbus RTU	C42	
Communication module: DEVICENET	C43	
Communication module: Modbus TCP	C44	
Communication module: PROFINET IO	C45	
Filter differential pressure switch	F5	
Check valve	G1	
Intake from pipe network	H11	✓
Sound enclosure	H12	✓
Exhaust silencer (pipeline)	H16	
Exhaust silencer (diffusion to surroundings)	H19	
Available: ✓		
Not available: —		

Tab. 4 Option codes

2.3 Weight

The values shown are maximum values. The actual weight of individual machines depends on equipment fitted.

2.3.1 Option C33 START CONTROL (STC)

Rated power [hp]	Weight [lb]		—
	EB 291 C vac	EB 421 C vac	
25.0	2487	2586	—
30.0	2500	2599	—
40.0	2689	2789	—
50.0	2749	2848	—
60.0	—	2926	—
75.0	—	3164	—
—	—	—	—
—	—	—	—
—	—	—	—

Tab. 5 START CONTROL (STC) weight

2.3.2 Option C34
OMEGA FREQUENCY CONTROL (OFC)

Rated power [hp]	Weight [lb]		—
	EB 291 C vac	EB 421 C vac	
25.0	2685	2784	—
30.0	2698	2798	—
40.0	2888	2987	—
50.0	2959	3058	—
60.0	—	3124	—
75.0	—	3417	—
—	—	—	—
—	—	—	—
—	—	—	—

Tab. 6 Weight OMEGA FREQUENCY CONTROL (OFC)

2.4 Drive motor

➤ Copy the data from the motor nameplate or service plate into the table:

Feature	Value
Enclosure protection	IP55
Motor bearing re-greasing interval *[h]	2000
Grease requirement, each bearing [g]	

h = operating hours

* The lubricating interval is max. 2000 h, even if a longer interval is indicated on the motor service plate.

Tab. 7 Drive motor

2.5 Recommended oil

The lubricant type to be used depends on the operating conditions.

	OMEGA FLUID	
	SB 220	FGB 220
Description	Synthetic oil	Synthetic oil

	OMEGA FLUID	
	SB 220	FGB 220
Application	Suitable for all applications, except food processing.	Specifically for applications where the compressed air comes into contact with food products.

Tab. 8 Recommended oil

Further information An adhesive label identifying the used lubricating oil is attached to the blower block and the belt guard.

Information on ordering oil is found in chapter 11.2.

2.6 Lubricating oil charge

The block oil chambers are filled with oil at the factory.

Guide value

	Drive-end	Gear-end
Lubricating oil charge [qt]	0.5 ±15%	0.6 ±15%

Tab. 9 Lubricating oil charge

2.7 Permitted pressure drop

Ensure that the pressure drop in the downstream pipes is max. 0.2 psi.



The same applies to machines with exhaust silencer (pipe), option H16.

2.8 Temperature

	EB 291 C vac	EB 421 C vac	—
Maximum block discharge temperature [°F]	320	320	—
Maximum temperature differential [K] *	115	115	—

*Discharge temperature minus inlet temperature

Tab. 10 Temperature

2.9 Ambient and intake conditions

The following conditions must be maintained:

- No salty atmosphere in the immediate vicinity of the machine.
- The air must be free of chemicals or explosive substances.

	EB 291 C vac	EB 421 C vac	—
Permissible ambient temperature [°F]	32 – 104	32 – 104	—
Permissible intake temperature [°F]	14 – 104	14 – 104	—
Relative humidity [%]	0 – 80	0 – 80	—
Maximum altitude AMSL [ft.]	3281	3281	—

Tab. 11 Ambient and intake conditions



Differing ambient and intake conditions require the recalculation of the performance data, and are permissible only upon agreement by the manufacturer.

2.10 Sound pressure level

Operating state LOAD under the following conditions:

- Nominal speed
- Nominal suction capacity
- Nominal pressure

Measuring condition according to DIN EN ISO 2151 and basic standard ISO 9614-2:

- Measurement distance: 3 ft.
- Tolerance: ±3 dB(A)
- Sound insulated pipeline

Further information The sound pressure level and sound power level values for your machine are provided in the tables shown in chapter 13.4.

These values refer to the design condition. They do not apply to the control range with frequency converter.

2.11 Power Supply

Basic requirements

The machine is designed for an electrical supply according to National Electric Code (NEC), edition 2020, particularly article 670 and NFPA 79, edition 2018, particularly section 4.4. In the absence of any user-specified alternatives, the limits given in these standards must be adhered to. Consult manufacturer for any other specific power supply.

The incoming line within the control panel should be as short as possible.

If external sensors or communication lines are to be connected to the machine, use shielded cables and insert the same through EMC fittings into the control panel.

Three-phase

Do **NOT** operate package on any unsymmetrical power supply. Also do **NOT** operate package on power supplies such as a three phase WYE system with center point not solidly grounded or three-phase (open) delta.

The machine requires a symmetrical three-phase power supply transformer with a WYE configuration output as shown in Figure 1 and Figure 2. In a symmetrical three phase supply the phase angles and voltages are all the same.

Other power supplies are not suitable.

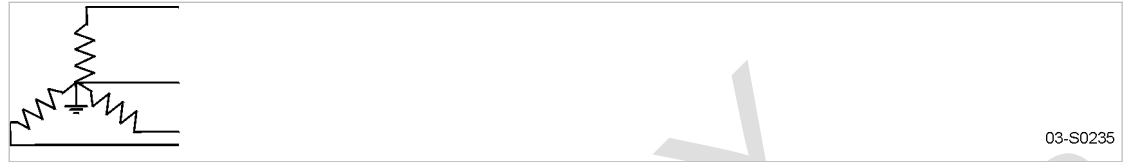


Fig. 1 Three-phase star (wye); 4 wire; center point solidly grounded



Fig. 2 Three-phase star (wye); 3 wire; center point solidly grounded

Further information Please contact an authorized KAESER service representative for options.
The electrical diagram 13.5 contains further specifications for electrical connection.

2.12 Power supply specifications

The following multi-strand copper core wires are given according to 2020 NEC 310.14, 310.15, 310.16 and table 310.16 adjusted for 40 °C ambient temperature.

If other local conditions prevail, like for example high temperature, the cross section should be checked and adjusted according to 2020 NEC 110.14(C), 220.3, 310.14, 310.15, 310.16, 310.15(B)(1), table 310.15(C)(1), 430.6, 430.22, 430.24, 670.4(A) and other local codes.

Dual element time delay fuses are selected according to 2020 NEC 240.6, 430.52 and tables 430.52, 430.248 and 430.250.

We strongly suggest using a separate copper conductor for the equipment GROUNDING. 2020 NEC table 250.122 will point out the "minimum size", however, we recommend a ground conductor the same size as the power leads, if local codes allow.

2.12.1 Option C33 START CONTROL (STC)

Rated power supply: 208V±10% / 3 / 60Hz

Rated motor power [hp]	25.0	30.0	40.0	50.0	60.0	75.0	—	—	—
Pre-fuse [A]	90.0	110.0	150.0	—	—	—	—	—	—
Supply [AWG]	1x 4x2	1x 4x1	1x 4x2/0	—	—	—	—	—	—
Feed terminal [AWG]	8-1	8-1	4-4/0	—	—	—	—	—	—

Tab. 12 Rated power supply 208V±10% / 3 / 60Hz

Rated power supply: 230V±10% / 3 / 60Hz

Rated motor power [hp]	25.0	30.0	40.0	50.0	60.0	75.0	—	—	—
Pre-fuse [A]	90.0	100.0	150.0	—	—	—	—	—	—
Supply [AWG]	1x 4x3	1x 4x2	1x 4x2/0	—	—	—	—	—	—
Feed terminal [AWG]	8-1	8-1	4-4/0	—	—	—	—	—	—

Tab. 13 Rated power supply 230V±10% / 3 / 60Hz

Rated power supply: 460V±10% / 3 / 60Hz

Rated motor power [hp]	25.0	30.0	40.0	50.0	60.0	75.0	—	—	—
Pre-fuse [A]	40.0	50.0	70.0	90.0	110.0	125.0	—	—	—
Supply [AWG]	1x 4x8	1x 4x6	1x 4x4	1x 4x3	1x 4x2	1x 4x1/0	—	—	—
Feed terminal [AWG]	16-4	16-4	8-1	8-1	8-1	4-4/0	—	—	—

Tab. 14 Rated power supply 460V±10% / 3 / 60Hz

Rated power supply: 575V±10% / 3 / 60Hz

Rated motor power [hp]	25.0	30.0	40.0	50.0	60.0	75.0	—	—	—
Pre-fuse [A]	35.0	40.0	60.0	70.0	90.0	110.0	—	—	—
Supply [AWG]	1x 4x8	1x 4x8	1x 4x6	1x 4x4	1x 4x3	1x 4x2	—	—	—
Feed terminal [AWG]	16-4	16-4	8-1	8-1	8-1	8-1	—	—	—

Tab. 15 Rated power supply 575V±10% / 3 / 60Hz

2.12.2 Option C34 OMEGA FREQUENCY CONTROL (OFC)

Rated power supply: 460V / 3 / 60Hz

Rated motor power [hp]	25.0	30.0	40.0	50.0	60.0	75.0	—	—	—
Backup fuse [A]	60.0	70.0	90.0	100.0	125.0	150.0	—	—	—
Supply [AWG]	1x 4x6	1x 4x6	1x 4x2	1x 4x2	1x 4x1	1x 4x2/0	—	—	—
Feed terminal [AWG]	16-4	16-4	8-1	8-1	1x 4-4/0	1x 4-4/0	—	—	—

Tab. 16 Rated power supply 460V/ 3 / 60Hz

2.13 Options

Technical data for the options available for your machine are given in the following.

2.13.1 Option C5
Oil level monitoring

Feature	Data
Max. voltage [V]	48
Switching current [A]	0.5
Switching capacity [hp]	0.03
Type of contact	Normally closed
Degree of protection	IP67

Tab. 17 Oil level monitoring (Option C5)

Further information The electrical diagram in chapter 13.5 contains details of the power supply.

2.13.2 Option C10
Speed monitor
Sensor

Feature	Data
Rated switching distance S_n [in.]	0.12–0.16
Installation conditions	Not flush
Output function	DC PNP/NPN
Enclosure protection	IP 67
Connection	M12
Working principle	Inductive

Tab. 18 Speed monitor (Option C10)

Sensor

Feature	Data
Rated voltage [V]	110 – 240 AC/DC (50 – 60 Hz) / 27 DC (typ. 24 DC)
Contact load capacity	6 A (250 V AC); B300, R300
Power consumption [VA]	5
Start override [s]	0 – 1000
Ambient temperature [°F]	-4 – +140
Degree of protection - enclosure/terminals	IP 50 / IP 20
Connection	up to 2.5 mm ² (AWG 14)

Tab. 19 Speed monitor sensor (Option C10)

Further information The electrical diagram in chapter 13.5 contains details of the power supply.

2.13.3 Option G1
Check valve

Nominal pipe size	Max. pressure and back pressure [psi]
DN 150	21.8
—	—

Tab. 20 Check valve (Option G1)

2.13.4 Option H11
Piped inlet

The dimensional drawings in chapter 13.2 include connection dimensions.

2.13.5 Option H12
Fan (sound enclosure)

Feature	Value
Maximum flow rate [cfm]	2148

Tab. 21 Fan flow rate

2.13.6 Option H16, H12
Exhaust silencer (pipeline)

The mounting position is shown in the dimensional drawing in chapter 13.2.

2.13.7 Option H19, H12
Exhaust silencer (diffusion to ambient)

The mounting position is shown in the dimensional drawing in chapter 13.2.

3 Safety and Responsibility

3.1 Basic instructions

The machine is manufactured to the latest engineering standards and acknowledged safety regulations. Nevertheless, dangers can arise through its operation:

- Danger to life and limb of the operator or third parties,
- Damages to the machine and other material assets.



Disregard of warning or safety instructions can cause serious injuries!

- Read the operating and installation manual carefully and take note of the contents for safe machine operation.
- Use this machine only if it is in a technically perfect condition and only for the purpose for which it is intended; observe all safety measures and the instructions in the service manual!
- Immediately rectify (have rectified) any faults that could be detrimental to safety!

3.2 Specified use

The machine is designed exclusively for the generation of vacuum in a commercial or industrial environment where air as delivery medium is approved for use. Any other use is considered incorrect. The manufacturer is not liable for any damages that may result from incorrect use. The user alone is liable for any risks incurred.

- Comply with the instructions in this operating manual.
- Operate the machine only within its performance limits and under the permitted ambient conditions.
- Operate the machine only when completely installed.

3.3 Improper use

Improper usage can cause damage to property and/or (severe) injuries.

- Only use the machine as intended.
- Use hot cooling air for heating purposes only if there is no risk to the health of humans or animals. If necessary, cooling air should be treated by suitable means.
- Do not allow the machine to take in toxic, acidic, flammable or explosive gases or vapors.
- Do not operate the machine in areas in which specific requirements with regard to explosion protection are in force.
- Intake of solid particles > 0.004 inch is not permitted.
- Persons are not allowed to remain near the exhaust outlet.
- Exhaust air must not be used for breathing purposes.

3.4 User's responsibilities

3.4.1 Observe statutory and universally accepted regulations

This is, for example, nationally implemented European directives and/or applicable national legislation, safety and accident prevention regulations.

- Observe relevant statutory and accepted regulations during installation, operation and maintenance of the machine.

3.4.2 Qualified personnel

These are people who, by virtue of their training, knowledge and experience as well as their knowledge of relevant regulations can assess the work to be done and recognize the possible dangers involved.

Authorized operators possess the following qualifications:

- Are of legal age,
- Are familiar with and adhere to the safety instructions and sections of the service manual relevant to operation,
- Have received adequate training and authorization to operate electrical and vacuum devices.

Authorized installation and maintenance personnel have the following qualifications:

- Are of legal age,
 - Have read, are familiar with and adhere to the safety instructions and sections of the service manual applicable to installation and maintenance,
 - Are completely familiar with the safety concepts and regulations of electrical and vacuum engineering,
 - Are able to recognize the possible dangers of electrical and vacuum devices and take appropriate measures to safeguard persons and property,
 - Have received adequate training in and authorization for the safe installation and maintenance of this machine.
- Ensure that personnel entrusted with operation, installation and maintenance are qualified and authorized to carry out their tasks.

3.5 Dangers

Basic instructions

Information concerning the various forms of danger that can arise during machine operation are found here.

Basic safety instructions are found in this service manual at the beginning of each chapter in the section entitled 'Safety'.

Warning instructions are found before a potentially dangerous task.

3.5.1 Safely dealing with sources of danger

The following describes the various forms of danger that can occur during machine operation.

Electricity

Touching voltage carrying components can result in electric shocks, burns or death.

- All power supplies must be fitted with lockable isolating devices by the user.
- Allow only qualified and authorized electricians or trained personnel under the supervision of a qualified and authorized electrician to carry out work on electrical equipment according to electrical engineering regulations.
- Before commissioning or re-commissioning the machine, the user must ensure adequate protection against electric shock from direct or indirect contact.
- Before starting any work on electrical equipment:
Switch off and lock out the power supply disconnecting device, and verify the absence of any voltage.
- Switch off any external power sources.
These may be connections to the electric machine heating for example.
- Use fuses corresponding to machine power.
- Regularly check that all electrical connections are tight and in proper condition.

Forces of compression

- Do not carry out welding, heat treatment or mechanical modifications on pressurized components, as this adversely affects the components' resistance to pressure.
The safety of the machine cannot be guaranteed.

Quality of discharge air

The quality of the discharge air and any substances it may contain depends on the quality of the air drawn from the vacuum network.

- Never breathe in exhaust air.
- Lead exhaust air outdoors to a point far from any persons.

Spring forces

Springs under tension or compression store energy. Uncontrolled release of this energy can cause serious injury or death.

Safety relief valves are heavily spring-loaded.

- Do not open or dismantle any valves.

Rotating components

Touching the fan wheel or the belt drive while the machine is running can result in serious injury.

- Do not remove separating protective installations when the machine is running.
- Switch off and lock out the power supply disconnecting device, and verify the absence of any voltage.
- Wear close-fitting clothes and a hair net if necessary.
- Ensure that all covers and safety guards are in place and secured before re-starting.

Temperature

High temperatures are generated during compression. Touching hot components may cause injuries.

- Switch off and lock out the power supply disconnecting device and verify the absence of any voltage.
- Wear close-fitting clothes and a hair net if necessary.
- Ensure that all covers and safety guards are in place and secured before re-starting.

Noise

The sound enclosure absorbs the machine noise to a tolerable level. This function will be effective only if the sound enclosure is closed.

- Wear hearing protection if necessary.

Operating fluids/materials

The used operating fluids and materials can cause adverse health effects. Suitable safety measures must be taken in order to prevent injuries.

- Strictly forbid fire, open flame and smoking.
- Follow safety regulations when dealing with oils, lubricants, and chemical substances.
- Avoid contact with skin and eyes.
- Do not inhale oil mist and vapors.
- Do not eat or drink while handling lubricants.
- Keep suitable fire extinguishing agents ready for use.
- Use only KAESER approved operating materials.

Unsuitable spare parts

Unsuitable spare parts compromise the safety of the machine.

- Use only spare parts approved by the manufacturer for use in this machine.
- Use only genuine KAESER replacement parts on pressure bearing parts.

Conversion or modification of the machine

Modifications, additions or conversions to or of the machine can result in unpredictable hazards.

- Do not convert or modify the machine!
- Prior to any technical modification and expansions of the machine, obtain the written approval of the manufacturer.

Extending or modifying the compressor station

If dimensioned appropriately, safety relief valves reliably prevent an impermissible rise in pressure. New dangers may arise if you modify or extend the compressor station.

- When extending or modifying the compressor system:
Check the blow-off capacity of the safety relief valves prior to installing the new machine.
- If the blow-off capacity is insufficient:
Install safety relief valves with larger blow-off capacity.

3.5.2 Safe machine operation

The following is information supporting you in the safe handling of the machine during individual product life phases.

Personal protective equipment

When working on the machine you may be exposed to dangers that can result in accidents with severe adverse health effects.

- Wear protective clothing as necessary.

Suitable protective clothing (examples):

- Safety work wear
- Protective gloves
- Safety boots
- Eye protection
- Ear protection

Transporting

The weight and size of the machine require safety measures during its transport to prevent accidents.

- Use suitable lifting gear that conforms to local safety regulations.
- Allow transportation only by personnel trained in the safe movement of loads.
- Attach lifting gear only to suitable lifting points.
- Be aware of the center of gravity to avoid tipping.
- Make sure the danger zone is clear of personnel.
- Do not step onto machine components to climb up the machine.

Assembly

- Make sure no power is applied when electrical connections are made.
- Use only electrical cables that are suitable and approved for the surroundings and electrical loads applied.
- Attach or detach pipework only with the machine at atmospheric pressure.
- Use only pressure lines that are suitable and approved for the maximum working vacuum and the intended medium.
- Do not allow connection pipes to be placed under mechanical stress.
- Do not induce any forces into the machine via the connections, so that the compressive forces must be balanced by bracing.
- Do not step onto machine components to climb up the machine.

Installation

A suitable installation location for the machine prevents accidents and faults.

- Install the machine in a suitable compressor room.
- Ensure sufficient and suitable lighting such that the display can be read and work carried out comfortably and safely.
- Ensure accessibility so that all work on the machine can be carried out without danger or hindrance.
- If installed outdoors, the machine must be protected from frost, direct sunlight, dust, rain and splashing water.
- Do not operate in areas in which specific requirements with regard to explosion protection are in force.

- Ensure adequate ventilation.
- Place the machine in such a manner that the working conditions in its environment are not impaired.
- Comply with limit values for ambient temperature and humidity.
- The intake air must not contain any damaging contaminants, Damaging contaminants are for instance: explosive or chemically instable gases and vapors, acid or base forming substances such as ammonia, chlorine or hydrogen sulfide.
- Do not position the machine in the warm exhaust air flow from other machines.
- Keep suitable fire extinguishing agents ready for use.

Commissioning, operation and maintenance

During commissioning, operation and maintenance you may be exposed to dangers resulting from, e.g., electricity, pressure and temperature. Careless actions can cause accidents with severe adverse effects for your health.

- Allow maintenance work to be carried out only by authorized personnel.
- Wear close-fitting, flame-resistant clothing. Wear protective clothing as necessary.
- Switch off and lock out the power supply disconnecting device, and verify the absence of voltage.
- Check that there is no voltage on floating relay contacts.
- Vent all components and chambers under vacuum to atmospheric pressure.
- Allow the machine to cool down.
- Do not open the sound enclosure while the machine is switched on.
- Do not open or dismantle any valves.
- Use only spare parts approved by KAESER for use in this machine.
- Carry out regular inspections:
for visible damage,
of safety installations,
of the EMERGENCY STOP push button,
of any components requiring monitoring.
- Pay particular attention to cleanliness during all maintenance and repair work. Cover components and openings with clean cloths, paper or tape to keep them clean.
- Do not leave any loose components, tools or cleaning rags on or in the machine.
- Components removed from the machine can still be dangerous.
Do not attempt to open or destroy any components taken from the machine.

Decommissioning, storage and disposal:

Improper handling of old operating fluids and components represent a danger for the environment.

- Drain off fluids and dispose of them according to applicable environmental regulations. These include, for example, lubricating oil.
- Dispose of the machine in accordance with local environmental regulations.

3.5.3 Organizational measures

- Designate personnel and their responsibilities.
- Give clear instructions on reporting faults and damage to the machine.
- Give instructions on fire reporting and fire-fighting measures.

3.6 Danger areas

The table gives information on areas dangerous to personnel.

Only authorized personnel may enter these areas.

Function	Danger area	Authorized personnel
Transporting	Within a 10 ft radius of the machine.	Installation personnel for transporting preparation. No personnel during transporting.
	Beneath the lifted machine.	No personnel!
Installation	Within the machine.	Installation personnel
	Within 3 ft radius of the machine and its power supply cables.	
Operation	Within a 3 ft radius of the machine.	Operating personnel
Maintenance	Within the machine.	Maintenance personnel
	Within a 3 ft radius of the machine.	

Tab. 22 Danger areas

3.7 Safety devices

Various safety devices ensure safe working with the machine.

- Do not change, bypass or disable safety devices.
- Check safety devices for correct function regularly.
- Do not remove or obliterate labels and notices.
- Ensure that labels and notices are clearly legible.

Further information More information on safety devices is contained in chapter 4, section 4.6.

3.8 Working life of safety functions

Pursuant to ISO 13849-1:2015, Category and Performance Level (PL) of the machine's safety functions have been analyzed and assessed:

Safety function	Category	Performance Level
EMERGENCY STOP push button	1	c

Tab. 23 Category and Performance Level

The safety-relevant functions of the safety devices are designed for a working life of 20 years. The working life starts with the original machine commissioning, and is not extended by times during which the machine was not in use.

The following components are affected:

- EMERGENCY STOP push button
- Option C33, START CONTROL (STC):
Star-delta contactor combination
- Option C34, OMEGA FREQUENCY CONTROL (OFC):
Frequency converter

1. The functions of the safety devices must be replaced by KAESER SERVICE after a working life of 20 years.
2. Have an authorized KAESER service representative check the reliability of the safety functions.

3.9 Safety signs

The illustration shows the location of the safety signs on the machine. Table 24 lists the various safety signs used and their meanings.

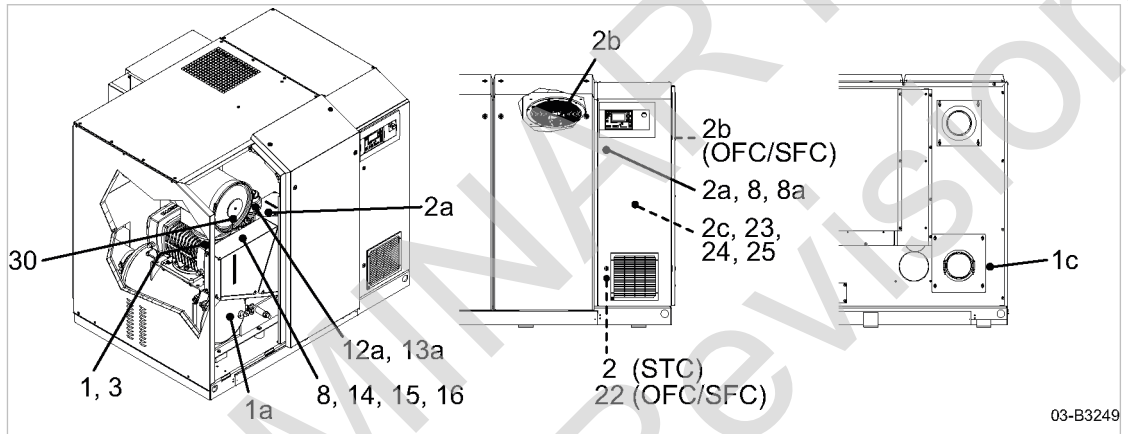


Fig. 3 Location of the safety signs on the machine

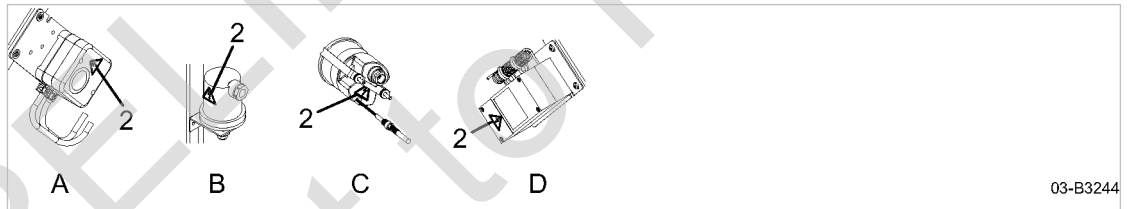


Fig. 4 Safety sign location, electronically actuated components

- | | |
|---|---|
| <p>A Filter differential pressure switch</p> <p>B Pressure switch</p> | <p>C Temperature display with switching point</p> <p>D Thermostat</p> |
|---|---|

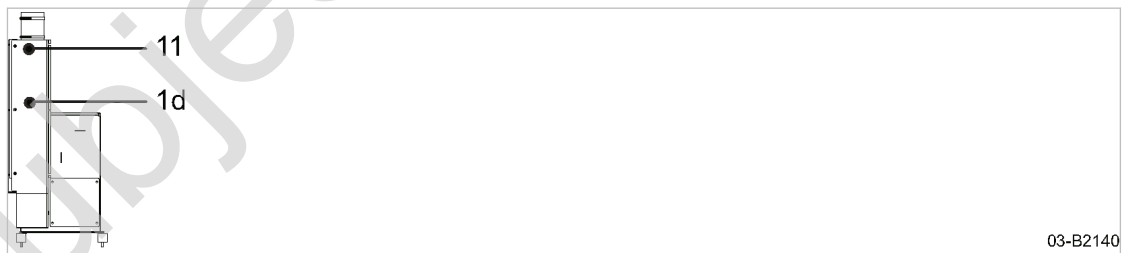

















Fig. 5 Safety sign position, exhaust silencer, Option H16, H19

Location	Symbol	Meaning
1 1a 1c 1d		<p>Hot surface can cause burns!</p> <p>➤ Let the machine cool down.</p> <p>➤ Wear long-sleeved garments (not synthetics such as polyester) and protective gloves.</p>

Location	Symbol	Meaning
2 2a 2b 2c		Danger of fatal injury from touching electrically live components! ➤ Switch off and lock out/tag out the power supply disconnecting device and verify the absence of any voltage.
3		Rotating rotors! Risk of serious lacerations or even severing of extremities (fingers) from rotating components. ➤ Operate the machine only when a connection is made to the inlet port. ➤ Switch off and lock out/tag out the power supply disconnecting device and verify the absence of any voltage before opening any machine enclosure or guard.
8		Personal injury or damage to the machine by incorrect operation! ➤ Read and understand the service manual and all safety signs before switching on this machine.
8a		Machine starts automatically! Severe injury can result from rotating components, electrical voltage, and air pressure. ➤ Switch off and lock out/tag out the power supply disconnecting device and verify the absence of any voltage before opening any machine enclosures or guard.
11		Danger of burns from hot gas! ➤ Do not enter danger zone. ➤ Wear long-sleeved garments (not synthetics such as polyester) and protective gloves.
12a		Serious injury or death can result from loosening or opening component that is under pressure and heavily spring loaded! ➤ Do not open or dismantle the valve. ➤ Contact an authorized KAESER service representative if a fault occurs.
13a		Serious injury or death can result from loosening or opening component under pressure! ➤ Depressurize all pressurized components and enclosures. ➤ Ensure the machine remains depressurized. ➤ Check that machine is depressurized.
14		Severe injury could result from touching the v-belt drive while it is rotating! ➤ Switch off and lock out/tag out the power supply disconnecting device and verify the absence of voltage.
15		Injury and/or contamination can result from breathing compressed air! Contamination of food can result from using untreated compressed air for food processing! ➤ Never breathe untreated compressed air. ➤ Air from this compressor must meet OSHA 29CFR1910.134 and FDA 21CFR178.3570 standards, if used for breathing or food processing. Use proper compressed air treatment.

Location	Symbol	Meaning
16		Noise due to opened service panel of the sound enclosure (Option H12)! ► Hearing may be damaged. ► Wear hearing protection.
22		High protective conductor current! Touching electrically live components can cause serious injury or death. ► Switch off and lock out/tag out the power supply disconnecting device and verify the absence of any voltage. ► Wait at least 5 minutes. ► Check that no voltage is present.
23		Danger of fatal injury from touching electrically live components! ► Switch off and lock out/tag out the power supply disconnecting device and verify the absence of any voltage.
24		Risk of electric shock! ► If the interrupter has tripped current-carrying components of the controller should be examined and replaced if damaged to reduce the risk of fire or electric shock.
25		Risk of electric shock! ► To maintain overcurrent short-circuit, and ground-fault protection, the manufacturer's instructions for setting the interrupter must be followed to reduce the risk of fire or electric shock.
30		Danger of bursting from excessive pressure! ► Always remove the inlet silencer cover when checking direction of rotation.

Tab. 24 Safety signs

3.10 In emergency

3.10.1 Correct fire fighting

Suitable extinguishing agents

- Foam
- Carbon dioxide
- Sand or dirt

Unsuitable or unsafe extinguishing agents

- Strong jet of water

1. Keep calm.
2. Give the alarm.
3. Switch off the power supply disconnecting device, if possible.

4. Move to safety.
 - Warn persons in danger.
 - Help incapacitated persons.
 - Close the doors.
5. Try to extinguish the fire if you have the skill to do so.

3.10.2 Remove lubricating oil from the skin.

- Eye contact:
Rinse eyes thoroughly with lukewarm water and seek medical assistance.
- Skin contact:
Wash off immediately.

3.11 Environmental protection

- Store and dispose of operating materials and replaced parts in accordance with local environmental protection regulations.
- Observe national regulations.
This applies particularly to parts contaminated with lubricating oil.



- Do not allow lubricating oil to escape to the environment or into the sewage system.

3.12 Warranty

This operator manual contains no independent warranty commitment. Our general terms and conditions of business apply with regard to warranty.

A condition of our warranty is that the machine is used for the purpose for which it is intended under the conditions specified.

Due to the multitude applications for which the machine is suitable the obligation lies with the user to determine its suitability for his specific application.

In addition, we accept no warranty obligation for:

- the use of unsuitable parts or operating materials,
- unauthorized modifications,
- incorrect maintenance,
- incorrect repair.

Correct maintenance and repair includes the use of original spare parts and operating materials.

- Obtain confirmation from KAESER that your specific operating conditions are suitable.

4 Design and Function

4.1 Enclosure

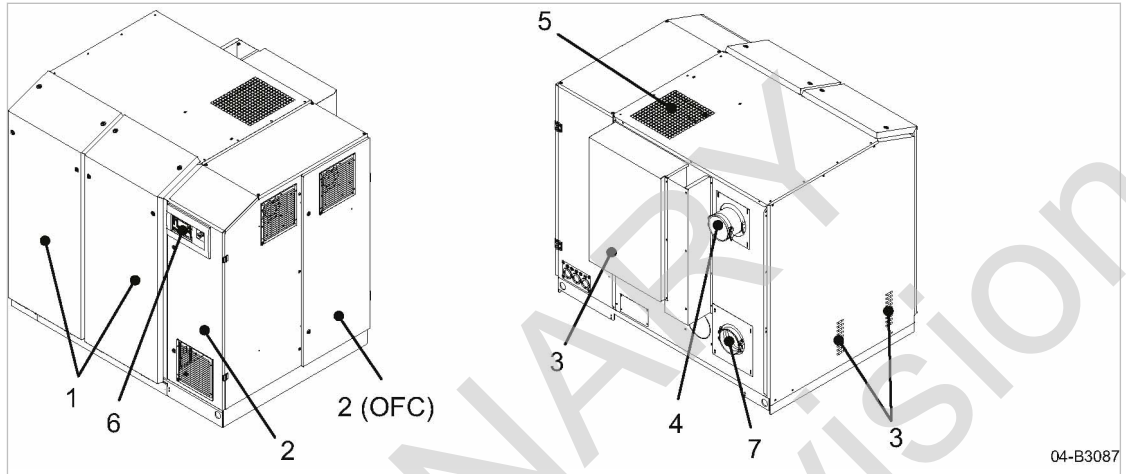


Fig. 6 Enclosure

- | | | | |
|---|----------------------|---|----------------------------|
| ① | Removable panel | ⑤ | Cooling air outlet |
| ② | Control cabinet door | ⑥ | Controller SIGMA CONTROL 2 |
| ③ | Cooling air inlet | ⑦ | Exhaust air outlet |
| ④ | Intake air inlet | | |

The sound enclosure has a removable panel ①.

The control cabinet door ② can be swung open.

Latches are released by a key supplied with the machine.

The sound enclosure has several functions when it is closed:

- Sound insulation
- Protection against contact with components
- Airflow control

The sound enclosure is not suitable for the following uses:

- Walking, standing, or sitting on the machine.
- Use as a resting place or storage of any kind of load.

Process air flow

Intake air is drawn into the inlet silencer via the intake line.

Air is discharged through the exhaust air outlet ⑦.

Cooling air flow

The motor fan draws cooling air through the cooling air inlet ③ into the sound enclosure to cool the drive motor and the machine.

Cooling air flow is supplemented by a fan within the enclosure. Warm air is blown out to protect the machine from overheating.

4.2 SIGMA CONTROL 2 operating panel

4.2.1 Keys

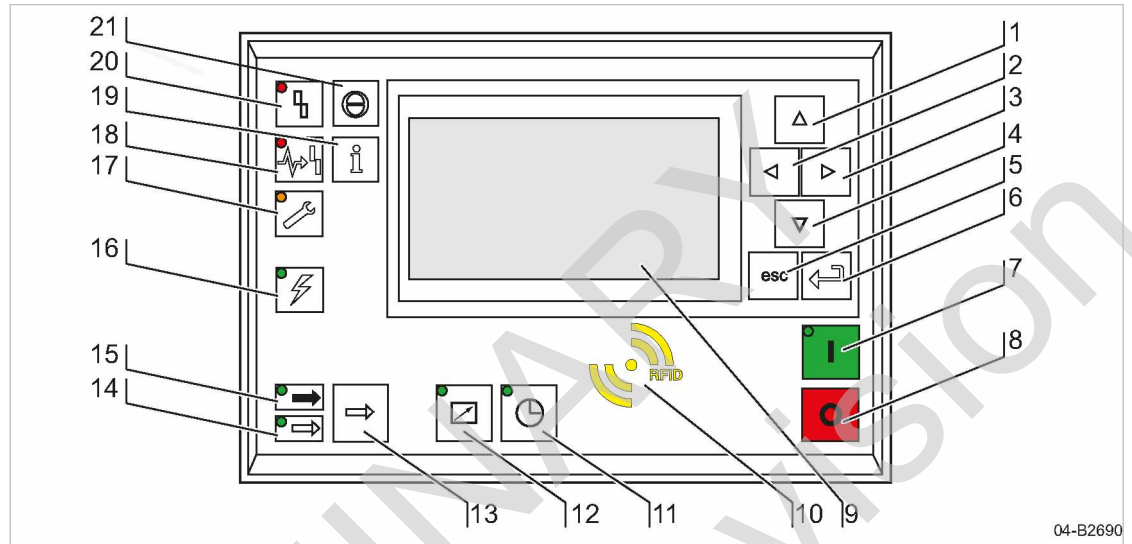


Fig. 7 Indicating and operating elements

Item	Name	Function
①	«Up»	Scrolls up the menu options. Increases a parameter value.
②	«Left»	Jumps to the left. Moves the cursor position to the next left field.
③	«Right»	Jumps to the right. Moves the cursor position to the next right field.
④	«Down»	Scrolls down the menu options. Reduces a parameter value.
⑤	«Escape»	Returns to the next higher menu option level. Exits the Edit mode without saving.
⑥	«Enter»	Jumps to the selected menu option. Exits the Edit mode and saves.
⑦	«ON»	Switches the machine on.
⑧	«OFF»	Switches the machine off.
⑩	RFID	RFID sensor field for user log-in with RFID Equipment Card.
⑪	«Timer control»	Switches timer control on and off.
⑫	«Remote control»	Switches remote control on and off.
⑬	«LOAD/IDLE»	Toggles between the LOAD and IDLE operating modes.
⑰	«Information & Events»	Displays the event memory.
⑳	«Reset»	Signifies recognition of alarms and warning messages. If permissible: Resets the fault counter (RESET).

Tab. 25 Controls

4.2.2 LEDs

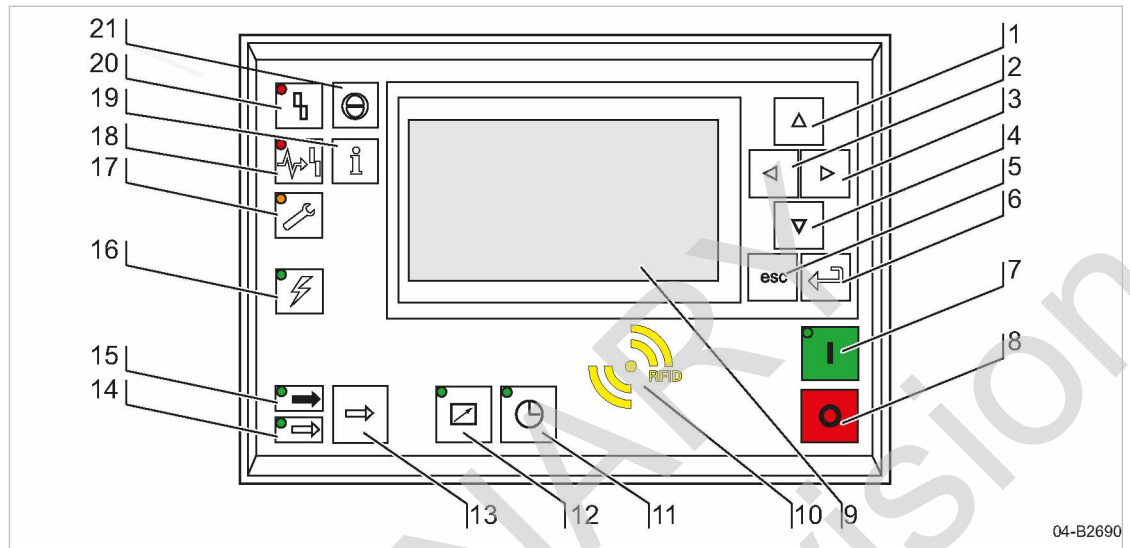


Fig. 8 Indicating and operating elements

Item	Name	Function
7	ON	Display illuminates green when the machine switched on.
9	Display	Graphic display with 8 lines and 30 characters per line.
11	Timer control	Continuous green light when the machine is controlled by the timer.
12	Remote control	Continuous green light when the machine is in remote control.
14	IDLE	Continuous green light when the machine is running in IDLE. Flashes when the «LOAD/IDLE» toggle key is pressed.
15	LOAD	Continuous green light when the machine is running in LOAD.
16	Controller on	Continuous green light when voltage is applied to the controller.
17	Warning	Flashes in yellow in the following events: <ul style="list-style-type: none"> ■ Maintenance necessary. ■ Warning message
18	Communications error	Continuous red light to indicate a faulty communication connection without machine shut-down.
20	Fault	Flashes red to indicate a machine fault. Continuous red light after acknowledgement.

Tab. 26 Display elements

4.2.3 RFID sensor field

RFID is the abbreviation for “Radio Frequency Identification” and enables the identification of persons or objects.

Placing a suitable transponder in front of the RFID sensor field of the controller will automatically activate the communication between transponder and SIGMA CONTROL 2.

A suitable transponder is the RFID Equipment Card. Two of them have been provided with the machine.

Typical application:

- Operators log on at the machine.
(Manual input of the password not required)



The RFID Equipment Cards are carefully packed in a plastic sleeve. This plastic sleeve is attached to the rear of the controller in the control cabinet.

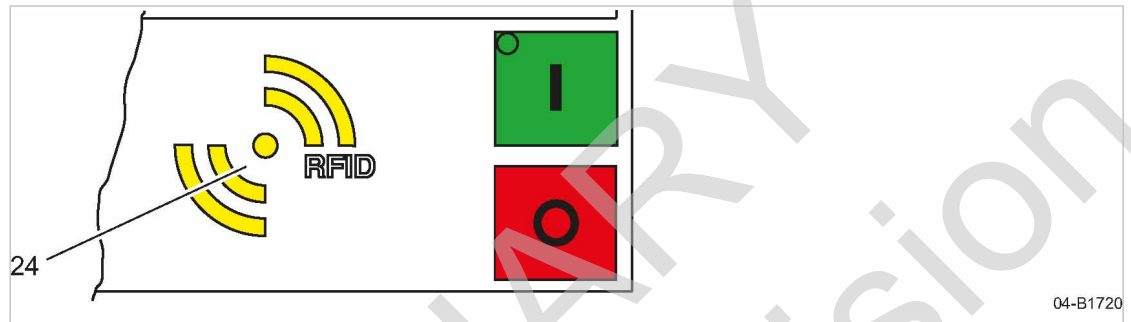


Fig. 9 RFID sensor field

Item	Name	Function
24	RFID	RFID sensor field for the communication with a RFID Equipment Card or RFID Key.

Tab. 27 RFID sensor field

Further information More information about the use of RFID technology is provided in the SIGMA CONTROL 2 operating manual.

4.3 Machine

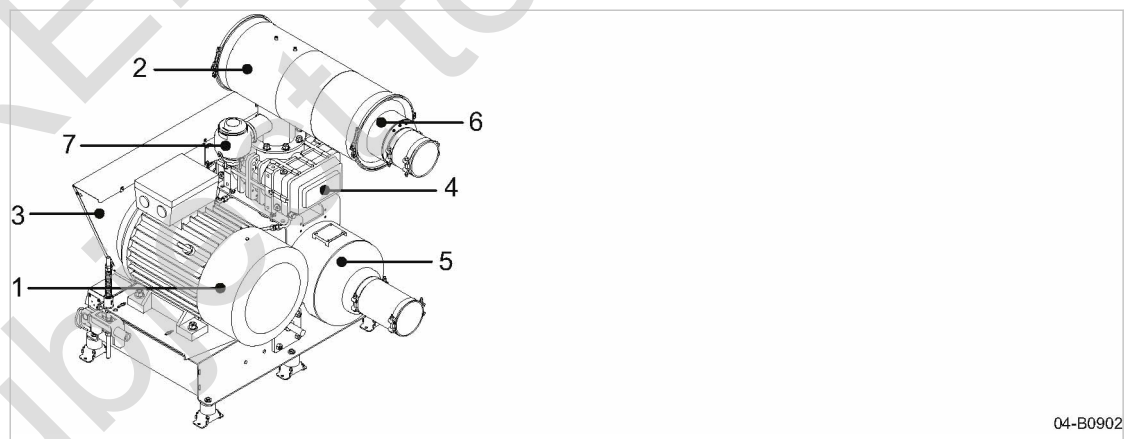


Fig. 10 Machine

- | | |
|------------------|---------------------------|
| ① Drive motor | ⑤ Outlet silencer |
| ② Inlet silencer | ⑥ Check valve (Option G1) |
| ③ Belt guard | ⑦ Safety relief valve |
| ④ Blower block | |

The drive motor (electric motor) ① drives the blower block ④ via a belt drive. Air is drawn into the inlet silencer ② via an air filter where it is cleaned.

The air is then pushed from the blower block in a vertical direction into the outlet silencer (5), where the process induces pressure build-up.

4.4 Blower block

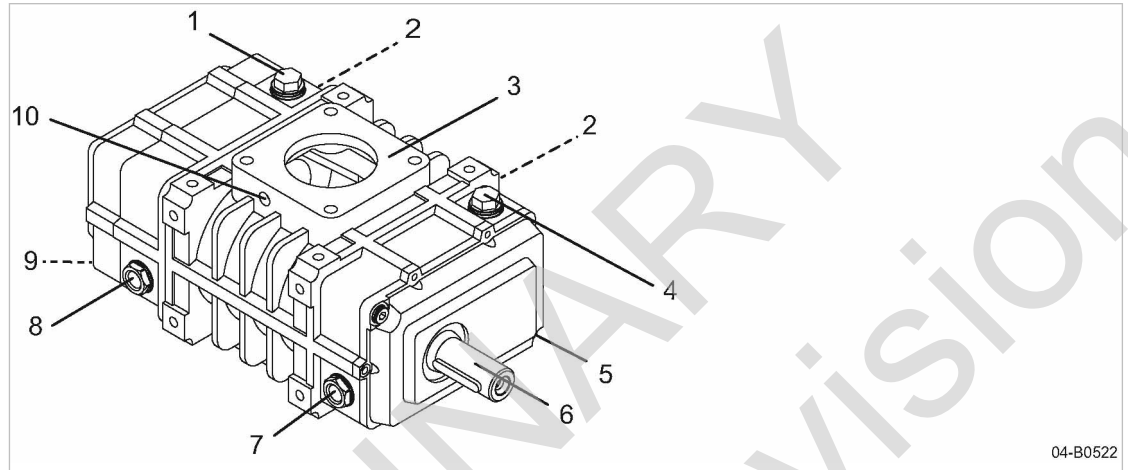


Fig. 11 Blower block

- | | |
|----------------------------------|--|
| ① Gear-end oil inlet | ⑥ Drive shaft |
| ② Side gas drainage (closed) | ⑦ Drive-end oil sight glass |
| ③ Flange connection (both sides) | ⑧ Gear-end oil sight glass |
| ④ Drive-end oil inlet | ⑨ Gear-end oil drain |
| ⑤ Drive-end oil drain | ⑩ Connection for measuring instrument (both sides) |

A pair of rotors with intermeshing lobes turn in opposite directions within a casing. The rotors are synchronized by timing gears on one end. Air in the block inlet is trapped between the rotor lobes and the casing and moved round to the discharge port.

As there is no contact between the rotors themselves and the casing, oil film lubrication is not required.

4.5 Safety relief valve

The safety relief valve protects the vacuum system from excessive vacuum. It is factory set.

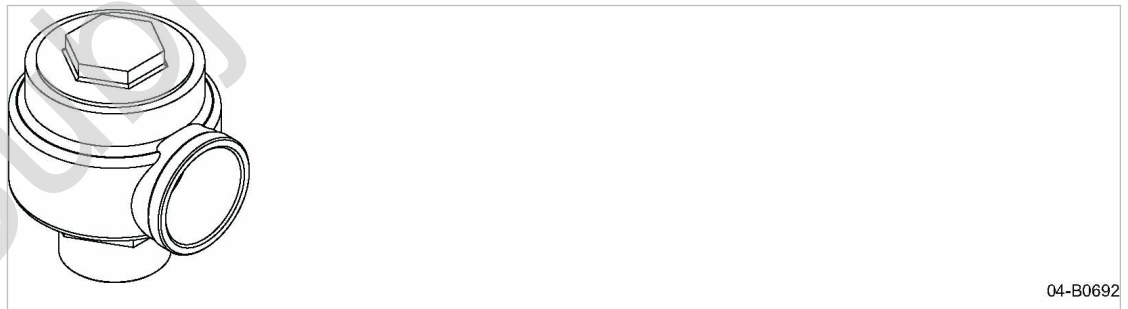


Fig. 12 Safety relief valve

4.6 Safety devices

The following safety devices are provided and may not be modified in any way:

- Safety relief valve:
This valve protects the vacuum system from excessive vacuum. It is factory set.
- Covers over moving parts and electrical connections:
These protect against accidental contact.
- Sound enclosure (Option H12):
The sound enclosure prevents excessive noise emission.
- Drive motor with 3 PTC thermistors:
Motor protection against overheating in connection with the user's protection cut-out.

4.7 Compensator

The compensator functions as follows:

- Inlet and outlet connections to silencers and accessories
- Isolates the machine vibrations from the air pipeline

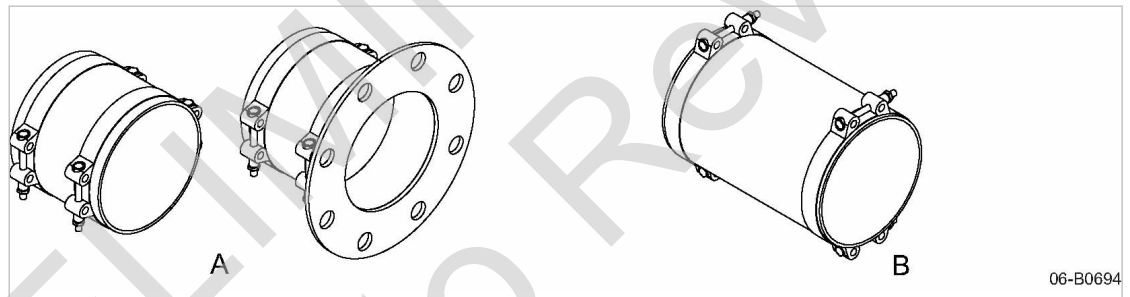


Fig. 13 Compensator

- (A) Compensator, suction side
- (B) Compensator, exhaust side

4.8 Automatic starting

Depending on the settings in the controller, the machine can automatically start after a power failure or external deactivation.

You must be logged in with the RFID Equipment Card in order to activate or deactivate this option.

Option deactivated (factory setting):

- Machine remains deactivated after a network power failure.

Option activated:

- Machine automatically restarts after the voltage supply has returned.

Further information

Note the instructions in the operating manual supplied with SIGMA CONTROL 2 for activating and deactivating this function.

4.9 Floating relay contacts

Floating relay contacts are provided for the transfer of operational state (messages). Information on location, loading capacity, and type of contact can be found in the electrical diagram.



If the floating relay contacts are connected to an external voltage source, voltage may be present even when the machine is isolated from the power supply.

4.10 Options

The options available for your machine are described below.

4.10.1 Option C5 Oil level monitor

The oil level switch monitors the level of lubricating oil in the blower block. This electronic monitoring does not relieve the obligation to perform regular manual checks of the lubricating oil level.

Two float-type level sensors monitor the level of oil in the drive and gear-end oil chambers. If the oil level falls below the minimum level, a switching contact is opened.

The controller registers the signal, displays an alarm message and shuts down the machine.

4.10.2 Option C10 Speed monitor

The speed monitor measures the rotational speed of the block rotors.

If the set minimum speed is not reached, the controller displays an alarm message and shuts down the machine.

4.10.3 Option G1 Check valve

The check valve prevents a reversal of the normal air flow direction.

The valve is closed when the machine is at standstill.

The check valve is integrated in the intake silencer.

4.10.4 Option H11 Piped inlet

Air is drawn into the block through the inlet silencer.

4.10.5 Option H16, H12 Exhaust silencer (pipeline)

The exhaust silencer reduces noise emission.

⚠ WARNING

Danger of burns from hot components!

- *Wear long-sleeved clothing and protective gloves.*

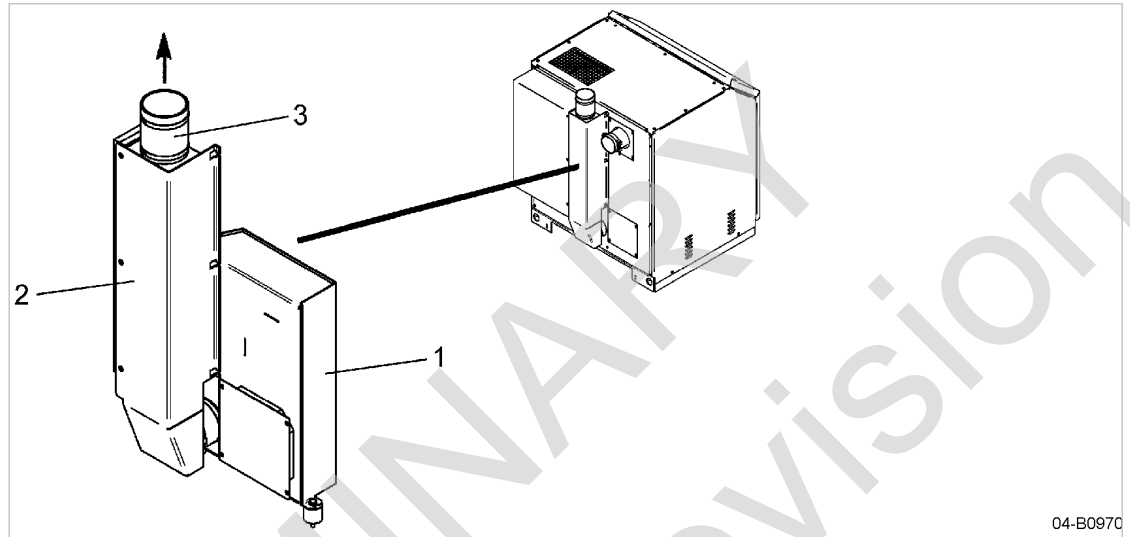


Fig. 14 Exhaust silencer (pipeline)

- ① Silencer
- ② Exhaust air duct
- ③ Compensator (connection to pipeline)

The exhaust air generated during the compression (vacuum) process passes through a compensator ③ on the silencer ① into a flexible pipeline.

The exhaust air can reach temperatures up to a max. of 320°F in the silencer.

**4.10.6 Option H19, H12
Exhaust silencer (diffusion to surroundings)**

The exhaust silencer reduces noise emission.

⚠ WARNING

Danger of burning from hot components and scalding from escaping oil.

- *Wear long-sleeved clothing and protective gloves.*
- *Do not inhale the exhaust air.*

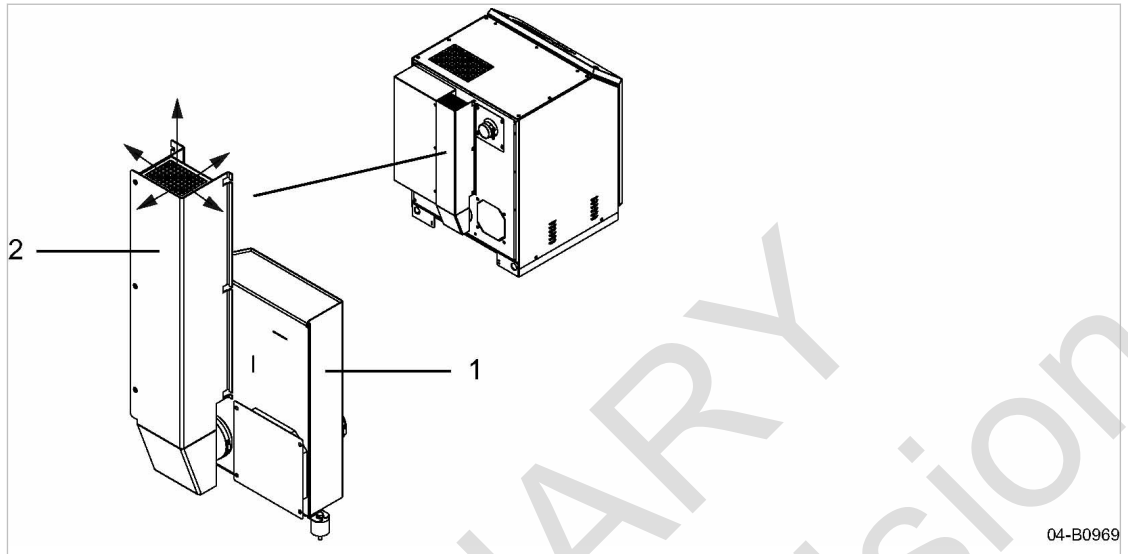


Fig. 15 Exhaust silencer (diffusion to surroundings)

- ① Silencer
- ② Exhaust air duct

The exhaust air generated during the compression (vacuum) process is diffused out through the silencer ② into the surrounding atmosphere.

The exhaust air may reach temperatures up to a max. of 320°F.

5 Installation and Operating Conditions

5.1 Ensuring safety

The conditions in which the machine is installed and operated have a decisive impact on safety. Warning instructions are located before a potentially dangerous task.



Disregard of warning instructions can cause serious injuries!

Complying with safety instructions

Disregard of safety warnings can cause unforeseeable dangers!

- Strictly forbid fire, open flame and smoking.
- If welding is carried out on or near the machine, take adequate measures to prevent sparks or heat from igniting oil vapors or parts of the machine.
- Do not store flammable material in the vicinity of the machine.
- The machine is not explosion-proof!
Do not operate in areas in which specific requirements with regard to explosion protection are in force.
- Ensure sufficient and suitable lighting such that the display can be read and work carried out comfortably and safely.
- Keep suitable fire extinguishing agents ready for use.
- Comply with the permissible ambient and intake conditions.
- Ensure the correct composition of the intake air:
 - Clean with no damaging contaminants (e.g., dust, fibers, fine sand).
 - Free of explosive or chemically unstable gases or vapors.
 - Free of acid/alkaline forming substances, particularly ammonia, chlorine or hydrogen sulfide.

Noise

The sound enclosure absorbs and reduces the machine noise to a comfortable level. This function will be effective only if the sound enclosure is closed.

- If necessary, wear hearing protection or take hearing protection measures on-site.

5.2 Installation conditions

5.2.1 Determining location and clearances

The machine is intended for installation in an appropriate machine room. Information on distances from walls and ventilation is given below.



The distances quoted are recommended distances and ensure unhindered access to all machine parts.

- Please consult an authorized KAESER service representative if you cannot comply with these recommendations.

Precondition The floor must be level, firm, and capable of bearing the weight of the machine. No special foundation is necessary.

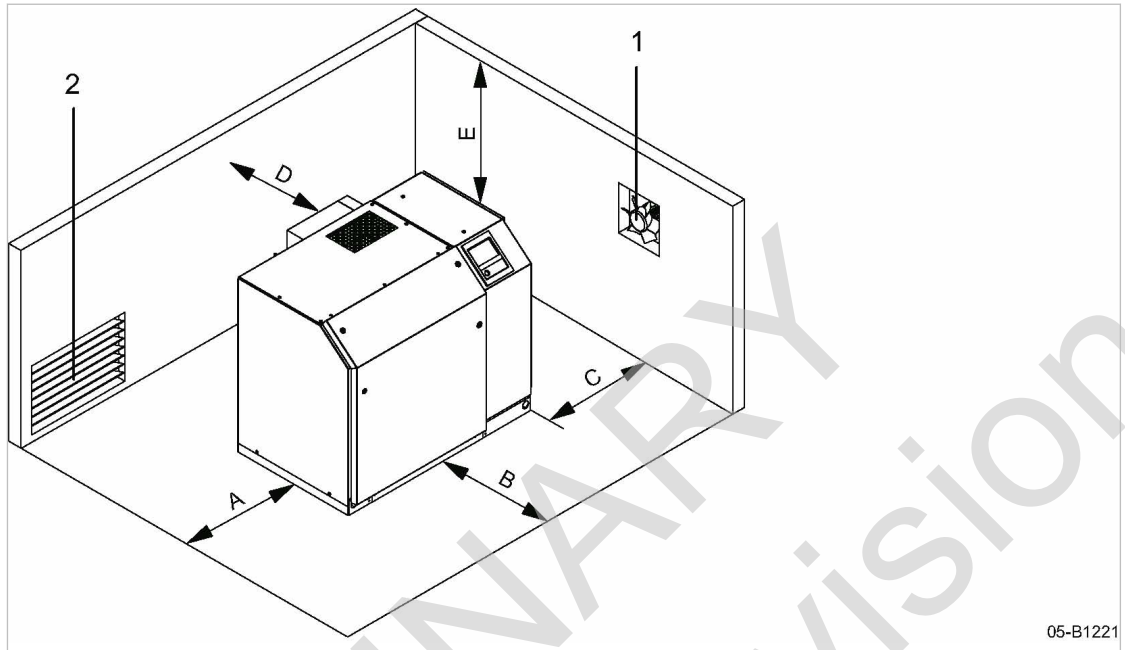


Fig. 16 Recommended machine placement, minimum dimensions [in.]

- | | |
|------------------|-----------------------------------|
| (A) See table 28 | (E) 32.0 |
| (B) 39.4 | (1) Exhaust fan |
| (C) See table 28 | (2) Ventilation inlet air opening |
| (D) 39.4 | |

➤ Determine clearances (A) and (C).

Characteristic, option	Recommended machine placement, minimum dimensions
C33, START CONTROL (STC)	The distance (A) or (C) must be at least 27.6 in. Version 1: (A) = 2.0 in. and (C) = 27.6 in. Version 2: (A) = 27.6 in. and (C) = 2.0 in.
C34, OMEGA FREQUENCY CONTROL (OFC)	(A) = 2.0 in. (C) = 27.6 in.

Tab. 28 Recommended machine placement, minimum dimensions

- If the ambient temperature is too low: Ensure that the compressor room is adequately heated.
- Ensure accessibility so that all work on the machine can be carried out without danger or hindrance.
- Do not position the machine in the warm exhaust air flow from other machines.
- When installing multiple machines, ensure that all intake and exhaust air openings are arranged at one side.
- Ensure the required distances for escape routes at opened control cabinet doors pursuant to IEC 60364-7-729: 2007.

5.2.2 Ensuring adequate ventilation



If the ventilation is insufficient, a partial vacuum can be created in the room.

- Ensure that the volume of fresh air is at least the same as the volume taken by the machine and exhaust fan from the machine room.
- Make sure that a sufficient amount of oxygen is supplied to individuals in the machine room.
- Make sure that the machine and exhaust fan can only operate when the ventilation inlet air opening is actually open.
- Keep the inlet and exhaust openings free of obstructions so that the cooling air can flow freely through the machine room.

PRELIMINARY
Subject to Revision

6 Installation

6.1 Ensuring safety

Follow the instructions below for safe installation.

Warning instructions are located before a potentially dangerous task.



Disregard of warning instructions can cause serious injuries!

Complying with safety warnings

Disregard of safety warnings can cause unforeseeable dangers!

- Follow the instructions in chapter 3 "Safety and Responsibility".
- Installation work may only be carried out by authorized personnel.
- Make sure that no one is working on the machine.
- Ensure that all panels are closed.

When working on live components

Touching voltage-carrying components can result in electric shocks, burns, or death.

- Work on electrical equipment may only be carried out by authorized electricians.
- Switch off and lock out the power supply disconnecting device, and verify the absence of voltage.
- Check that there is no voltage on floating relay contacts.

Working on the vacuum system

The following safety concerns relate to any work on components that could be under pressure.

- Switch off and lock out the power supply disconnecting device, and verify the absence of voltage.
- Vent all components and chambers under vacuum to atmospheric pressure.
- Do not open or dismantle any valves.

When working on the drive system

Touching voltage-carrying components can result in electric shocks, burns, or death.

Touching the fan wheel (sound enclosure) or the belt drive while the machine is running can result in serious injury.

- Switch off and lock out the power supply disconnecting device, and verify the absence of voltage.
- Do not open the panels while the machine is switched on.

Further information Details of authorized personnel are found in chapter 3.4.2.

Details of dangers and their avoidance are found in chapter 3.5.

6.2 Reporting transport damage

1. Check the machine for visible and hidden transport damage.
2. Inform the carrier and the manufacturer in writing of any damage without delay.

6.3 Anchoring the machine

The machine may be anchored to the floor.

The following anchoring elements are shipped with the machine:

Foundation bolts for machines without sound enclosure.

Foundation bolts and angle brackets for machines with sound enclosure.

➤ Use the anchoring elements to anchor the machine without stress.

Further information Details of the fixing holes are contained in the dimensional drawing in chapter 13.2.

6.4 Connecting the power supply

Precondition The power supply disconnecting device is switched off, lock out and tag out the device, the absence of any voltage has been verified. The tolerance limits of the power supply are within the tolerance limits of the rated machine voltage.

Option C34, OMEGA FREQUENCY CONTROL (OFC):

The voltage in the intermediate circuit capacitors of the frequency converter is reduced.

1. The power supply must only be connected by authorized installation personnel or authorized certified electricians.
2. Carry out protection measures as stipulated in relevant regulations and in national accident prevention regulations. In addition, observe the regulations of the local electricity supplier.
3. Select supply cable conductor cross-sections and fusing in accordance with local regulations and chapter 2.12.
4. Test the overcurrent protective device to ensure that the time it takes to shut down in response to a fault is within the permitted limit.
5. The user is required to fit the machine with a lockable power supply disconnecting device. This could be, for example, a load disconnect switch with fused input. If a circuit breaker is used it must be suitable for the motor starting characteristics.
6. Check that the control transformer is connected according to the supply voltage. If not, reconnect the control transformer to suit the power supply voltage.
7. **▲ DANGER** *Danger of fatal injury from electric shock!*
 - *Switch off and lock out the power supply disconnecting device and verify the absence of voltage.*
8. Connect the machine to the power supply.
9. Properly close openings, cable glands, etc.

Further information The wiring diagram in chapter 13.5 contains further details of the power supply connection.

Connecting the control cabinet

The machine can be operated at full power at the rated voltage with a tolerance of $\pm 5\%$.

If the supply voltage deviates from the rated voltage, the control transformer's (component T11) cable bridge should be changed to correspond to the actual main power supply.

1. Select supply cable conductor cross-sections and fusing in accordance with local regulations and chapter 2.12.
2. Connect the control cabinet (note clockwise phase rotation!).

6.4.1 Option C32
Under frequency control



If the machine is delivered by KAESER including the frequency converter, the regulation behavior and operating mode of the frequency converter will be preset.

- Adapt and optimize the actual properties to the customer system on-site.
- Comply with the following provisions if you operate machines with a frequency converter:
 - Operate the machine only within its performance limits and under the permitted ambient conditions.
 - The speed change should be approx. 5 Hz per second. This value applies also for the starting ramp from standstill to reaching minimum frequency. Deviating settings, either slower or faster, may be possible after verification by an authorized KAESER SERVICE representative.
 - The frequency converter may be switched to a motor in standstill only, in order to avoid malfunctions.
 - The automatic restart of the machine is **not** preset for safety-relevant reasons.

6.5 Connecting to the vacuum network

Material Torque wrench

Precondition Vacuum network at atmospheric pressure.



Non-return or check valves must be installed in systems that are to remain under vacuum when the machine is shut down.

- Consult an authorized KAESER service representative on a suitable check valve and expert installation.
- 1. Make the vacuum network connection with compensator or flexible hose line and install with the following torques:

Connection to customer's pipeline	Torque [lbf-ft]
Compressor with hose clamps	14.8
Compressor with screwed joint M20*	66.4

* Manually tighten screws equally, torque at 37 lbf-ft and subsequently retighten crosswise with torque according to table.

Tab. 29 Compensator torques

- 2. Support the weight of the pipework and any other connecting components.
- 3. Install a suitable pipeline to lead discharge air outdoors.

Further information The dimensional drawing in chapter 13.2 provides information regarding the connection of the pipeline.

6.6 Option H12 Sound enclosure: Remove transport securing devices



Fig. 17 Removing the transport securing devices

- ① Screw
- ② Spacer

Remove the transport securing devices after the machine has been installed.

1. Remove the access panel of the sound enclosure.
2. Remove the transport securing device and store for future transports.

6.7 Option H12 Fitting the cover plate

A base frame cover plate is attached to the belt guard.

Fitting takes place after the machine has been installed.

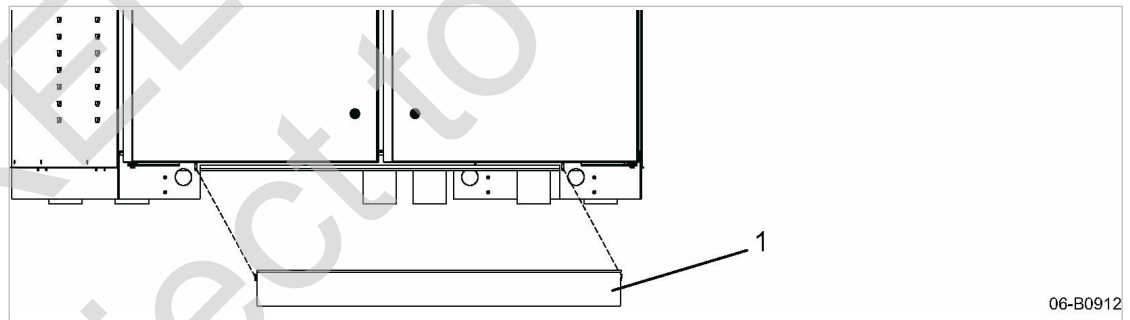


Fig. 18 Fitting the cover plate

- ① Cover plate

➤ Screw the cover plate to the base frame.

7 Initial Start-up

7.1 Ensuring safety

Here you will find instructions for safe commissioning of the machine. Warning instructions are located before a potentially dangerous task.



Disregard of warning instructions can cause serious injuries!

Complying with safety warnings

Disregard of safety warnings can cause unforeseeable dangers!

- Follow the instructions in chapter 3 "Safety and Responsibility".
- Commissioning tasks may only be carried out by authorized personnel!
- Make sure that no one is working on the machine.
- Ensure that all panels are closed.

When working on live components

Touching voltage-carrying components can result in electric shocks, burns, or death.

- Work on electrical equipment may only be carried out by authorized electricians.
- Switch off and lock out the power supply disconnecting device, and verify the absence of voltage.
- Check that there is no voltage on floating contacts.

Working on the vacuum system

The following safety concerns relate to any work on components that could be under pressure.

- Switch off and lock out the power supply disconnecting device, and verify the absence of voltage.
- Vent all components and chambers under vacuum to atmospheric pressure.
- Do not open or dismantle any valves.

When working on the drive system

Touching voltage-carrying components can result in electric shocks, burns, or death.

Touching the fan wheel (sound enclosure) or the belt drive while the machine is running can result in serious injury.

- Switch off and lock out the power supply disconnecting device, and verify the absence of voltage.
- Do not open the panels while the machine is switched on.

Further information Details of authorized personnel are found in chapter 3.4.2.

Details of dangers and their avoidance are found in chapter 3.5.

7.2 Instructions to be observed before commissioning

Incorrect or improper commissioning can cause injury to persons and damage to the machine.

- Commissioning may be carried out only by authorized installation and service personnel who have been trained on this machine.

Special measures for recommissioning after storage/standstill

Storage period/ standstill longer than	Measure
12 months	<ul style="list-style-type: none"> ➤ Change the lubricating oil. ➤ Have the frequency converter smoothing capacitors formed (refreshed) by an authorized KAESER service representative.
36 months	<ul style="list-style-type: none"> ➤ Have the overall technical condition checked by an authorized KAESER service representative.

Tab. 30 Recommissioning after storage/standstill

7.3 Checking installation and operating conditions

- Check and confirm all the items in the checklist before commissioning the machine.

To be checked	See chapter	Confirmed?
➤ Have all packing materials, tool and transport securing means been removed from the machine?	—	
➤ Are the operators completely familiar with safety regulations?	—	
➤ Have all the positioning conditions been fulfilled?	5	
➤ Is the machine anchored to the floor without stress?	6.3	
➤ Are the tolerance limits of the power supply within the permissible tolerance limits of the rated machine voltage?	—	
➤ Are the power supply cable conductor cross-sections and fuse ratings sufficient?	2.12	
➤ Is a user-supplied lockable power supply disconnecting device installed?	6.4	
➤ Has the control cabinet connection been checked?	6.4	
➤ Has a suitable non-return valve been installed professionally?	6.5	
➤ Has the connection to the vacuum network been made with a hose or compensator?	6.5	
➤ Has the drive motor's direction of rotation been checked?	7.7	
➤ Have all electrical connections been checked for tightness? (The check must be repeated after 50 operating hours)	—	
➤ Is there adequate lubricating oil in the gear and drive-end of the blower block? (Check oil sight glass)	10.6	
➤ Has the drive belt tension been checked? (The check must be repeated after 24 operating hours)	10.5	

To be checked	See chapter	Confirmed?
<ul style="list-style-type: none"> ➤ Have the removable access panel of the sound enclosure and other panels been inserted and locked? (Option H12) 	4.1	

Tab. 31 Installation conditions check list

7.4 Re-greasing the motor bearings

- The motor bearings of motors with re-greasing facility must be re-greased with bearing grease prior to the initial commissioning of the machine.

Further information Further information on re-greasing motor bearings can be found in chapter 10.12.1.

7.5 Configuring the controller

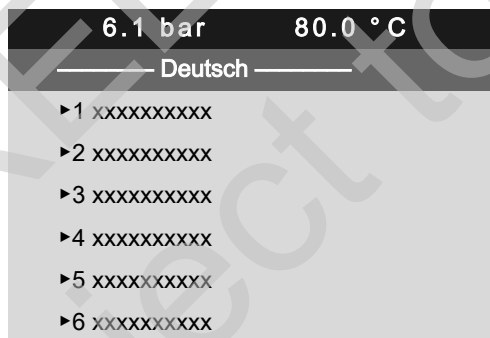
- Configure the controller as described in the SIGMA CONTROL 2 operating manual.

7.6 Setting the display language

The controller can display message text in several languages.

You can set the language for texts on the display. This setting will be retained even when the machine is switched off.

1. In operating mode, switch to the main menu with the «Enter» key.
2. Press the «UP» or «DOWN» keys until the current language is shown as active line:



Current language (active line)

Submenu

Submenu

Submenu

Submenu

Submenu

Submenu

3. Use the «Enter» key to switch to setting mode.
The language display flashes.
4. Move to the required language with «UP »or «DOWN».
5. Confirm the setting with the «Enter» key.

Result The display texts are now in the selected language.

Further information Detailed information can be found in the SIGMA CONTROL 2 operating manual.

7.7 Checking the direction of rotation

If the block rotors turn in the wrong direction, the direction of airflow through the machine will also be wrong and pressure will rise in the inlet line.

An arrow indicating the direction of rotation is located at the drive-end of the block and at the belt guard.

A phase sequence relay is installed in the machine's control cabinet, which will send a release signal to the controller in correct right-hand direction of rotation only.

The controller will report a fault if the direction of rotation is to the left. In this case, interchange phases L1 and L2 of the supply line(s). The fault can then be acknowledged.

1. **NOTICE** *Wrong direction of rotation!*
This may result in machine damage by drawing foreign bodies or excessive vacuum.
 - Ensure the correct direction of rotation.
2. Remove the filter maintenance cover on the inlet silencer or inlet filter and/or remove the inlet non-return valve on the suction side.
3. Verify the direction of rotation with a phase sequence meter.
4. If the direction of rotation is incorrect, interchange phases L1 and L2 of the supply line(s).



You do not have a phase sequence meter?

- Switch the machine on and off again after 1 second.
- Compare the direction of rotation of the drive motor with the arrows on the belt guard and the blower block.
- If the direction of rotation is incorrect, interchange the phases L1 and L2.

7.8 Option C33

START CONTROL (STC): Setting the overload protection cut-out

The electrical diagram 13.5 gives the location of the overload protection cut-out.

With star-delta starting, the phase current is fed via the overload protection relay. This phase current is 0.58-times the rated drive motor current.

To prevent the overload relay being triggered by voltage fluctuations, temperature influences or component tolerances, the setting can be higher than the arithmetical phase current.

- Check the overload protection relay setting.



The overload protection relay shuts the machine down despite being correctly set?

- Contact an authorized KAESER service representative.

7.9 Starting the machine for the first time

Precondition No personnel are working on the machine.
All access doors are closed.
All removable panels are in place and secured.

1. Allow the machine to come to ambient temperature before switching on for the first time to avoid the build up of condensation.
2. Switch on the power supply disconnecting device.
After the controller has carried out a self-test, the green *Controller Voltage* LED is lit continuously.

3. If required:
Change the display language as described in chapter 7.6.
4. Press the «ON »key.
The green *IDLE* LED lights continuously.
The drive motor runs up.



- Watch for any faults occurring in the first hours of operation.
- After the first 50 operating hours, check all electrical connections and tighten where necessary.

PRELIMINARY
Subject to Revision

8 Operation

8.1 Switching on and off

Always switch the machine on with the «ON» key and off with the «OFF» key.

A power supply disconnecting device has been installed by the user.

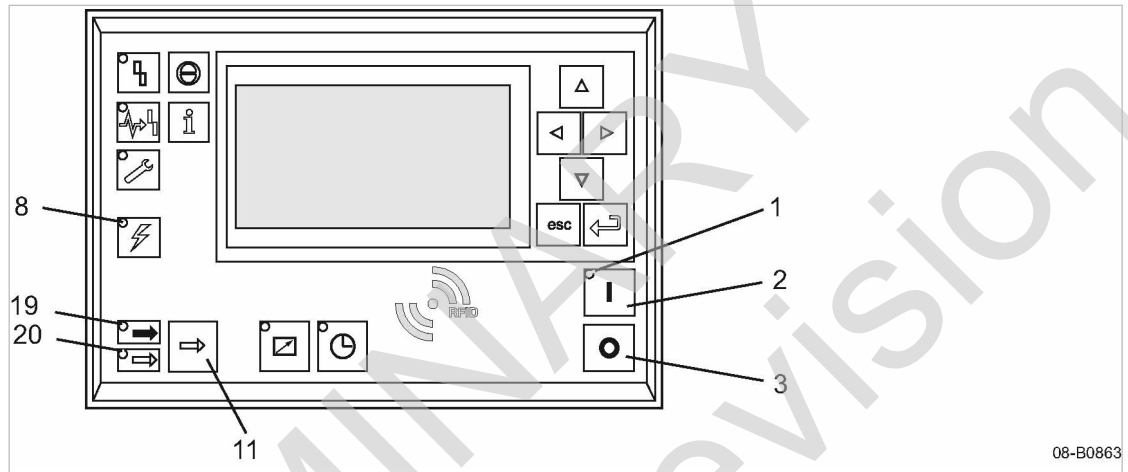


Fig. 19 Switching on and off

- ① Machine ON LED
- ② «ON» key
- ③ «OFF» key
- ⑧ Voltage applied to controller LED
- ⑪ «LOAD/IDLE» toggle key
- ⑱ LOAD LED
- ⑳ IDLE LED

8.1.1 Switching on

Precondition No personnel are working on the machine.

No personnel inside the machine.

The removable panel of the sound enclosure and other panels are inserted and locked.

1. Switch on the power supply disconnecting device.
The *Voltage applied to controller* LED lights green.
2. Press the «ON» key.
The *ON* LED lights green.

Starting frequency

Characteristic, option	Maximum frequency of motor starts per hour
C33, START CONTROL (STC)	■ 6 times
C34, OMEGA FREQUENCY CONTROL (OFC)	■ any

Tab. 32 Starting frequency

- Adhere to maximum frequency of motor starts per hour.

Automatic restart

If a power failure occurs, the machine is **not** prevented from re-starting automatically when power is resumed.

It can re-start automatically as soon as power is restored.

- Note the instructions in the user manual supplied with SIGMA CONTROL 2 for activating and deactivating this function.

8.1.2 Switching off

1. Press the «OFF» key.

When the machine switches to IDLE (as per configuration), and during the fan run-on time, the *Machine ON* LED flashes. The *Machine ON* LED extinguishes as soon as the automatic shut-off action is completed.

2. Switch off and lock out and tag out the power supply disconnecting device.

Result The *Voltage applied to controller* LED extinguishes. The machine is switched off and disconnected from the power supply.



In rare cases, you may want to shut down the machine immediately and cannot wait until the automatic shut-down process is finished.

- Press «OFF» once again.

8.2 Switching off in an emergency and switching on again

The EMERGENCY STOP push-button is located to the right of the control panel.

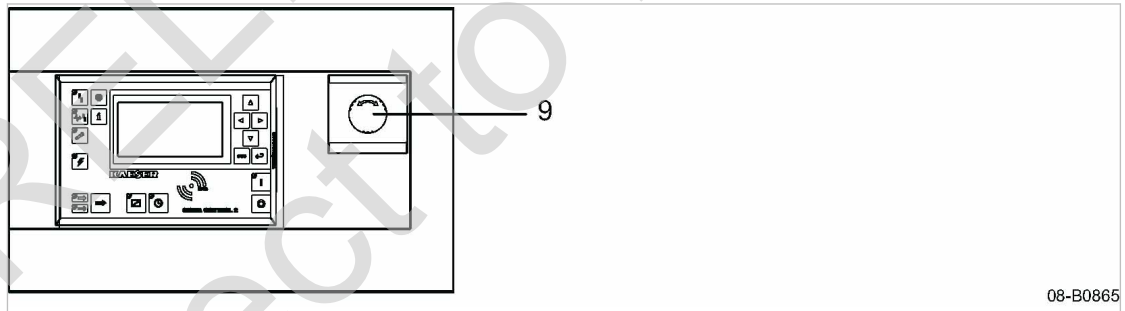


Fig. 20 Switching off in an emergency

- ⑨ EMERGENCY-STOP push button

Switching off

- Press the EMERGENCY STOP push button.

Result The EMERGENCY STOP push button remains latched after actuation.

The compressor's pressure system is vented and the machine is prevented from automatically re-starting.

Switching on

Precondition The fault has been rectified

1. Turn the EMERGENCY STOP push button in the direction of the arrow to unlatch it.
2. Acknowledge any existing alarm messages.

Result The machine can now be started again.

8.3 Switching on and off from a remote control center

Precondition A link to the remote control center exists.

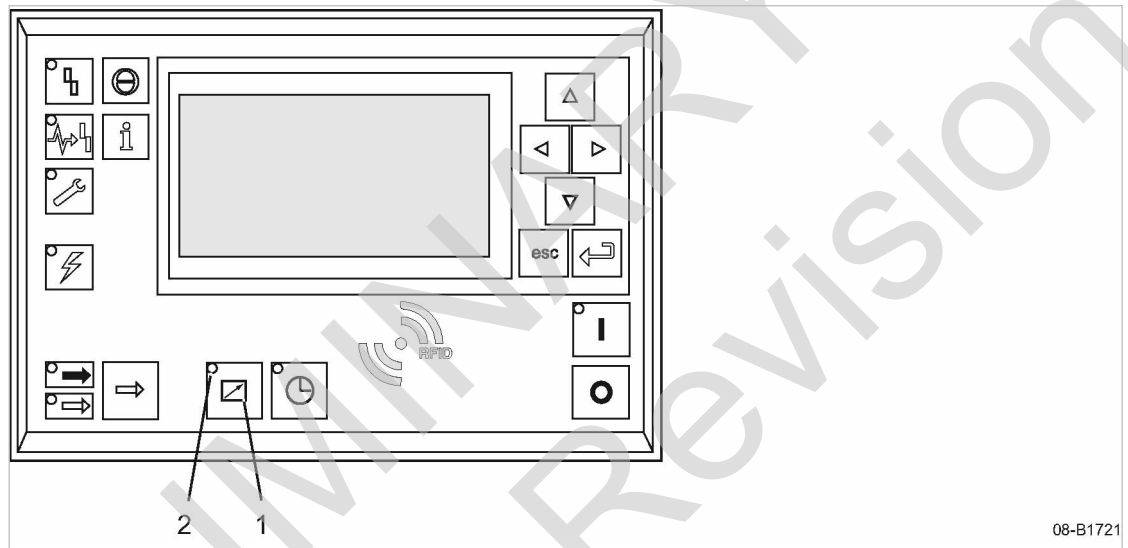


Fig. 21 Switching on and off from a remote control center

- ① «Remote control» key
- ② Remote control/LED

1. Attach an easily seen notice to the machine that warns of remote operation.

⚠ WARNING

Remote control: Risk of injury caused by unexpected starting!

- Make sure that the power supply disconnecting device is switched off before commencing any work on the machine.

Tab. 33 Machine identification

2. Label the starting device in the remote control center as follows:

⚠ WARNING

Remote control: Risk of injury caused by unexpected starting!

- Before starting, make sure that no one is working on the machine and that it can be safely started.

Tab. 34 Remote control identification

3. Press the «Remote control» key.

Result The *Remote control*/LED lights. The machine can be remotely controlled.

8.4 Switching on and off with the clock (timer)

Precondition The clock is programmed.

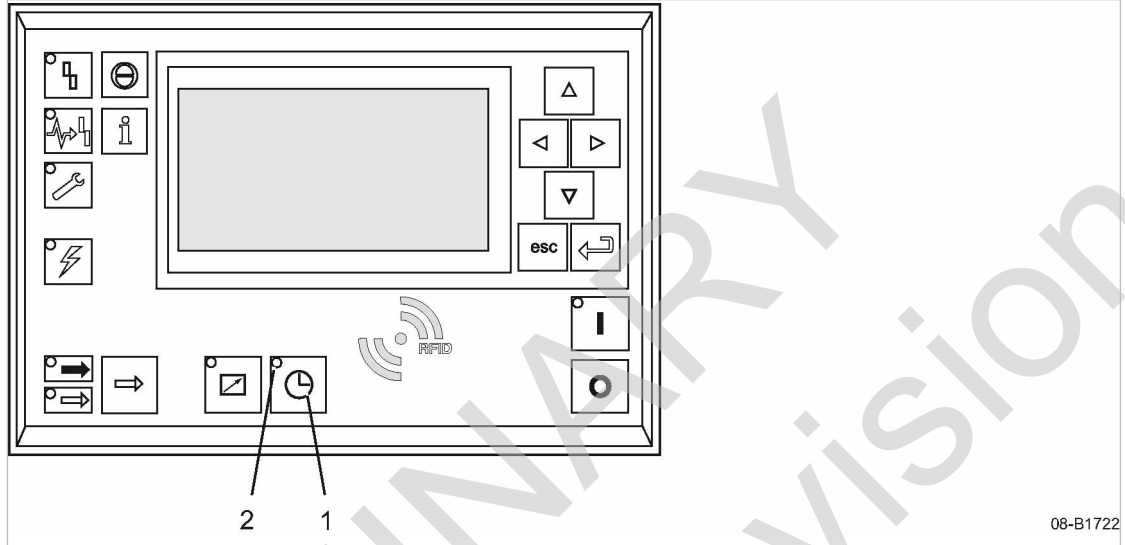


Fig. 22 Switching on and off with the clock (timer)

- ① «Timer control» key
- ② *Timer control* LED

1. Attach an easily seen notice warning of time-controlled operation:

⚠ WARNING

Time control: Risk of injury caused by unexpected starting!

- Make sure that the power supply disconnecting device is switched off before commencing any work on the machine.

Tab. 35 Machine identification

2. Press «Timer control».

Result The *Timer control* LED lights. The machine is switched on and off by the clock (timer).

8.5 Option H12 Checking the ventilator fan function (sound enclosure)

NOTICE

Overheating inside the sound enclosure!

A standstill of the ventilator can result in a breakdown of the blower block or other components.

- *If the ventilator stops, immediately provide an alternative flow of cooling air through the sound enclosure.*
- Check that air is actually being blown out of the enclosure cooling air outlet, e.g. by holding a sheet of paper in front of the outlet.

Further information KAESER SERVICE will advise on suitable measures.

8.6 Interpreting operation messages

The controller will automatically display operation messages informing you about the current operational state of the machine.

Operating messages are identified with the letter B.

Further information Detailed information can be found in the SIGMA CONTROL 2 operating manual.

8.7 Acknowledging alarm and warning messages

Messages are displayed on the "new value" principle:

- Message coming: LED flashes
- Message acknowledged: LED illuminates
- Message going: LED off

or

- Message coming: LED flashes
- Message going: LED flashes
- Message acknowledged: LED off

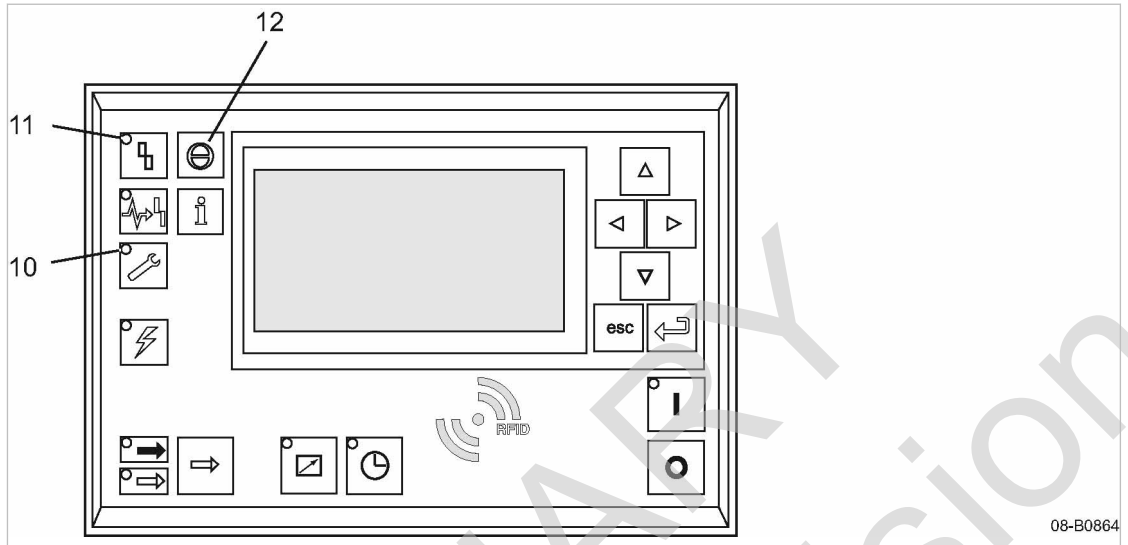


Fig. 23 Acknowledging messages

- ⑩ *Warning* LED (yellow)
- ⑪ *Alarm* LED (red)
- ⑫ «Acknowledge» key

Alarm message

An alarm shuts the machine down automatically. The red *Alarm* LED flashes. The system displays the appropriate message.

Precondition The fault has been rectified.

- Acknowledge the message with the «Acknowledge» key. The *Alarm* LED extinguishes. The machine is again ready for operation.



If the machine was switched off with the EMERGENCY STOP button:

- Unlatch the EMERGENCY STOP button (turn in direction of the arrow) before acknowledging the alarm message.

Further information Please refer to the SIGMA CONTROL 2 operating manual for a list of possible fault messages during operation.

Warning message

If maintenance work is to be carried out or if the warning is displayed before an alarm, the yellow *Warning* LED flashes. The system displays the appropriate message.

Precondition The danger of an alarm is passed, maintenance has been carried out.

- Acknowledge the message with the «Acknowledge» key. The *Warning* LED extinguishes.

Further information Please refer to the SIGMA CONTROL 2 operating manual for a list of possible warning messages during operation.

9 Fault Recognition and Rectification

9.1 Basic instructions

Fault messages are classified in various categories:

- Warning:
 - Warning messages *W*
- Fault (with indication):
 - Alarm messages *S*
 - System messages *Y*
 - Diagnostic messages *D*
- Other faults (without indication): See chapter 9.2

The messages valid for your machine are dependent on how the individual machine is equipped.

1. Do not attempt fault rectification measures other than those given in this manual!
2. In all other cases:
Have the fault rectified by an authorized KAESER SERVICE representative.

Further information See the operating manual of SIGMA CONTROL 2 for details regarding the various messages.

9.2 Other faults

Alarm	Possible cause	Remedy
Unusual noise when running.	Too much backlash in the timing gears.	Contact KAESER Service.
	Too much clearance in the rotor bearings.	Contact KAESER Service.
	Rotors not synchronized.	Maintain the pressure differential and speed shown in the specification. Contact KAESER Service.
Blower block runs too hot.	Pressure differential too great.	Check and correct pressure differential.
	Clogged inlet filter reducing air intake volume.	Clean the inlet filter.
	Rotor clearance too large.	Contact KAESER Service.
	Leakage due to incorrect installation of pressure-bearing components.	Contact KAESER Service.
Oil leaks from the gas drain.	Lubricating oil level too high.	Drain off lubricating oil until the correct level is reached.
Oil leaking from around the drive shaft.	Shaft seal defective.	Contact KAESER Service.
Low intake flow volume.	Rotor clearance too large because of wear.	Contact KAESER Service.
	Intake resistance too high.	Clean the inlet filter.

Alarm	Possible cause	Remedy
Black film on the oil sight glasses.	Oil not changed at the correct interval.	Change the lubricating oil. Clean or renew the sight glass.
	Insufficient lubricating oil.	Change the lubricating oil. Clean or replace the sight glass.
	Oil overheated.	Contact KAESER Service.
	Block overloaded.	Contact KAESER Service.
Water in the oil.	Condensate build-up by prolonged storage and high humidity.	Change the lubricating oil.
Safety relief valve activates.	Inadmissible operating state, operating pressure too high.	Bring the machine to a permissible operational state or shut down.

Tab. 36 Other faults and remedies

9.3 Option H12 Sound enclosure faults

Alarm	Possible cause	Remedy
Overheating inside the sound enclosure!	Fan defective or turning in the wrong direction.	Check connection. Contact an authorized KAESER service representative.
	Flow of cooling air blocked.	Check and clean cooling air apertures. Check the cooling air inlet temperature.
	Drive motor overloaded.	Check operating conditions.
	Leakage due to incorrect installation of pressure-bearing components.	Contact an authorized KAESER service representative.

Tab. 37 Faults and remedies (option H12)

10 Maintenance

10.1 Ensuring safety

Follow the instructions below to ensure safe machine maintenance.
Warning instructions are located before a potentially dangerous task.



Disregard of warning instructions can cause serious injuries!

Complying with safety warnings

Disregard of safety warnings can cause unforeseeable dangers!

- Follow the instructions in chapter 3 "Safety and Responsibility".
- Allow maintenance work to be performed by authorized personnel only.
- Make sure that no one is working on the machine.
- Ensure that all panels are closed.

When working on live components

Touching voltage-carrying components can result in electric shocks, burns, or death.

- Work on electrical equipment may only be carried out by authorized electricians.
- Switch off and lock out the power supply disconnecting device, and verify the absence of voltage.
- Check that there is no voltage on floating relay contacts.

Working on the vacuum system

The following safety concerns relate to any work on components that could be under pressure.

- Switch off and lock out the power supply disconnecting device, and verify the absence of voltage.
- Vent all components and chambers under vacuum to atmospheric pressure.
- Do not open or dismantle any valves.

When working on the drive system

Touching voltage-carrying components can result in electric shocks, burns, or death.

Touching the fan wheel (sound enclosure) or the belt drive while the machine is running can result in serious injury.

- Switch off and lock out the power supply disconnecting device, and verify the absence of voltage.
- Do not open the panels while the machine is switched on.

Further information Details of authorized personnel are found in chapter 3.4.2.

Details of dangers and their avoidance are found in chapter 3.5.

10.2 Maintenance schedule

10.2.1 Logging maintenance work



The maintenance intervals given are those recommended for average operating conditions.

- Maintenance tasks should be carried out more frequently where operating conditions are unfavorable (e.g. dusty atmosphere) or when the equipment is in constant use.
- Adjust the maintenance intervals with regard to local installation and operating conditions.

- Keep a log of all maintenance and service work.

This enables the frequency of individual maintenance tasks and deviations from our recommendations to be determined.

Further information A prepared list is provided in chapter 10.16.

10.2.2 Resetting maintenance interval counters

Depending on the way a machine is equipped, sensors and/or maintenance interval counters monitor the operational state of important functional devices. Required maintenance work is shown on the SIGMA CONTROL 2.

Precondition Maintenance performed and, Maintenance message acknowledged.

- Reset the maintenance interval counter as described in the SIGMA CONTROL 2 operating manual.

10.2.3 Regular maintenance tasks

The table below lists the required maintenance tasks.



If operating conditions are unfavorable (e.g. dusty ambient) or if the equipment is in constant use, maintenance tasks must be carried out more frequently (shorter intervals).

- Carry out maintenance tasks in a timely manner, taking the ambient and operating conditions into consideration:

Interval	Maintenance task	See chapter
At least 24 h after initial commissioning	Check drive belt tension.	10.5
At least 50 h after initial commissioning	Check that all electrical connections are secure and tighten if necessary.	–
Weekly	Control cabinet: Check the filter mat.	10.3
500 h after initial commissioning*	Change the lubricating oil.	10.8

h = operating hours

* Not applicable in the case of initial commissioning by an authorized KAESER service representative.

Interval	Maintenance task	See chapter
Up to 500 h or monthly	Check the oil level.	10.6
	Check drive belt tension.	10.5
	Check the air filter.	10.9
	Control cabinet: Clean the filter mat.	10.3
Up to 1000 h	Clean the machine.	10.11
Up to 2000 h, At least once a year	Drive motor bearings with re-greasing facility: Re-grease the motor bearings.	10.12.1
Up to 3000 h, At least once a year	Change the FGB 220 lubricating oil.	10.8
Up to 3000 h, At least once a year	Change the air filter.	10.9
	Control cabinet: Change the filter mat.	10.3
Annually	Check the safety relief valve.	10.13
	Check the EMERGENCY STOP push button.	10.14
	Check that all electrical connections are secure and tighten if necessary.	–
Up to 6000 h, At least every 2 years	Change the SB 220 lubricating oil.	10.8
Up to 12000 h, At least every 4 years	Replace the drive belt.	10.5
As required	Check rotors for contamination.	10.15

h = operating hours

* Not applicable in the case of initial commissioning by an authorized KAESER service representative.

Tab. 38 Regular maintenance tasks

10.2.4 Regular service tasks

The table below lists necessary service tasks.

- Only an authorized KAESER service representative should carry out service work.
- Have maintenance tasks carried out in a timely manner, taking the ambient and operating conditions into account:

Interval	Service task
Up to 12000 h, At least every 4 years	Permanently greased drive motor bearings: Replace the motor bearings.

h = operating hours

Interval	Service task
Up to 36000 h	Blower block Replace the radial shaft sealing ring. Drive motor bearings with re-greasing facility: Replace the motor bearings. Fan frequency converter: Replace the fan. Fan control cabinet: Replace the fan. Sound enclosure: Replace the fan.
Up to 36000 h, At least every 8 years	(Option G1) Maintain the check valve. Replace the compensators
At least every 20 years	Replace safety-relevant components of the safety functions.

h = operating hours

Tab. 39 Regular service tasks

10.3 Cleaning or replacing the control cabinet filter mats

Filter mats protect the control cabinet from ingress of dirt. If the filter mats are clogged, adequate cooling of the components is no longer ensured. In such a case, clean or replace the filter mats.

Material Warm water and household detergent
Spare parts (as required)

Precondition The power supply disconnecting device is switched off,
the device is locked off,
the absence of any voltage has been verified.

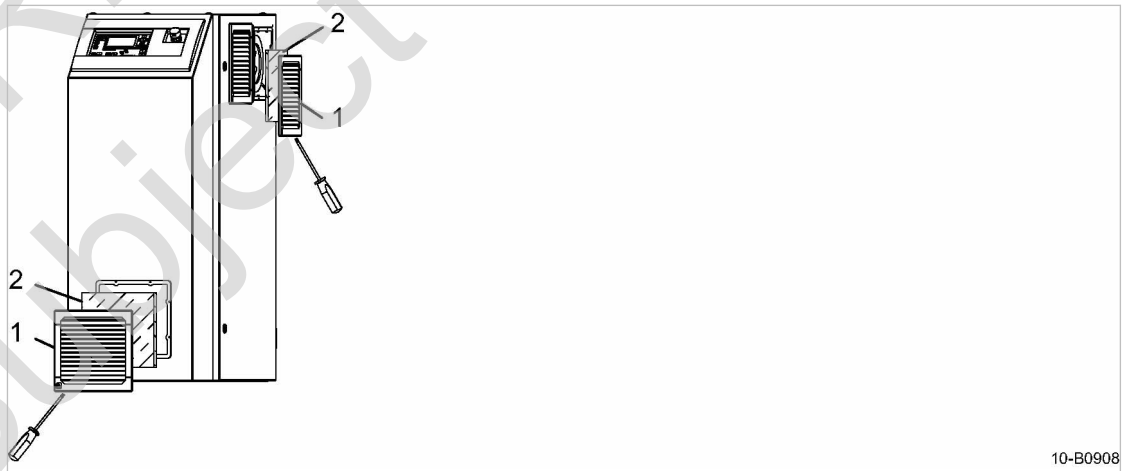


Fig. 24 Control cabinet ventilation grill

- ① Ventilation grill
- ② Filter mat

1. Carefully remove the ventilation grill and take out the filter mat.

2. Beat the mat or use a vacuum cleaner to remove loose dirt. If necessary, wash with lukewarm water and household detergent.
3. Replace the filter mat if cleaning is not possible or if the change interval has expired.
4. Lay the filter mat in the frame and latch in the ventilation grill.

10.4 Option H12 Sound enclosure

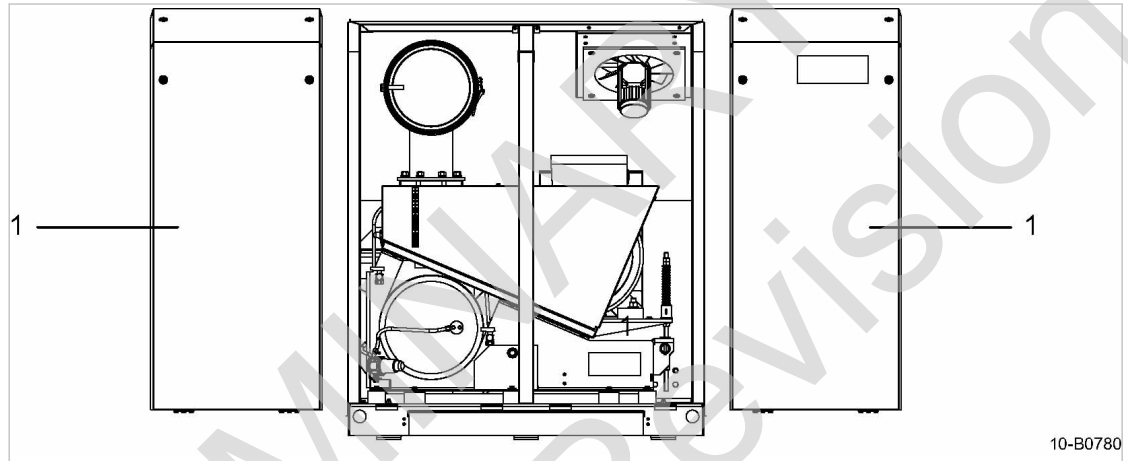


Fig. 25 Sound enclosure

① Removable panel

- Remove the panel ① for maintenance work.



Latches are released by a key supplied with the machine.

10.5 Drive belt maintenance

Material Spare parts (if required)

Precondition The power supply disconnecting device is switched off, lock out and tag out the device, the absence of any voltage has been verified.
The machine has cooled down.

⚠ WARNING

Touching the moving drive belt may result in severe bruising or even loss of limb or extremities.

- *Switch off and lock out/tag out the power supply disconnecting device and verify the absence of voltage.*



Fig. 26 Drive belt maintenance

- ① Marker pin (shown as: belt tensioning required)
- ② Locking nut
- ③ Adjusting nut

Checking belt tension and adjustment

The tensioning device uses spring force to apply correct tension to the belt.

Adjust the tension before the marker pin reaches the **top** end of the elongated hole.

1. Loosen the locking nut ②.
2. Use the adjusting nut ③ to adjust spring tension until the marker pin reaches the lower end of the elongated hole.
3. Tighten the locking nut ②.

Visually check for damages.

1. **⚠ CAUTION** *Danger of pinching between belt and pulley!*
 - *Work carefully.*
2. Turn the pulley by hand so that the entire belt can be inspected for damage.
3. In case of damage: Replace the drive belt immediately.

When individual belts fail in multiple-groove drives, all belts must be replaced.



Changing the belt.

1. Remove the belt guard.
2. Loosen the locking nut ②.
3. Turn the adjusting nut ③ to loosen the tension on the belts until they can be removed from the pulley.
4. Install the new set of belts and use the adjusting nut ③ to adjust the tension until the marker pin reaches the lower end of the elongated hole.
5. Tighten the locking nut ②.
6. Replace the belt guard.
7. Check the tension after the new belt has been in operation for 50 hours.

10.6 Checking the oil level

The true oil level can be seen in the oil sight glass only when the machine is stopped.



The gear-end and drive-end oil chambers are not connected.

⚠ WARNING

Danger of burns from hot components!

- *Wear long-sleeved clothing and protective gloves.*

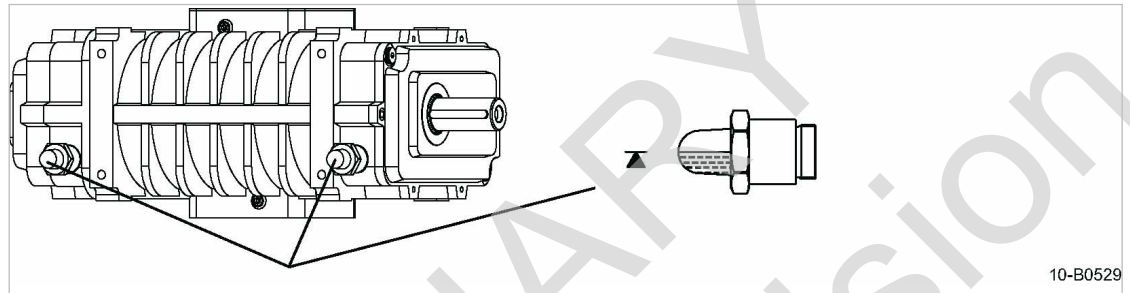


Fig. 27 Checking the oil level

1. Check the oil level in the sight glasses on both ends of the block.
2. Replenish as soon as the level falls 0.3 in. below the center of the sight glass.

10.7 Replenishing lubricating oil

Labels giving the oil type for replenishing can be found on the blower block and belt guard.



Prior to any work requiring an opening of the vacuum system, the machine must be fully vented to atmospheric pressure.

Precondition The power supply disconnecting device is switched off
The disconnecting device is locked in the off position.
The oil level has settled.

⚠ WARNING

Danger of burns from hot components and oil!

- *Wear long-sleeved clothing and protective gloves.*

NOTICE

Unsuitable oil can damage the block.

- *Never mix different types of oil.*
- *Never top off with a different type of oil than that already used in the blower block.*

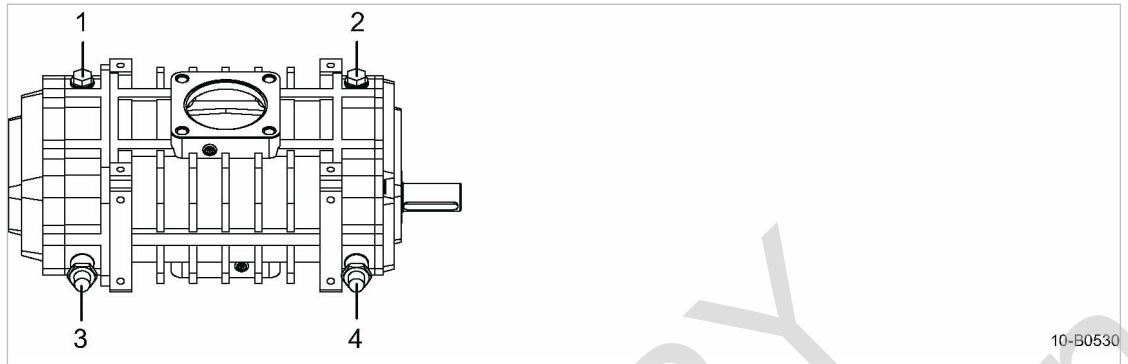


Fig. 28 Replenishing lubricating oil

- | | |
|---|---|
| <p>① Plug
(oil filling port, control end)</p> <p>② Plug
(oil filling port, drive end)</p> | <p>③ Control-end oil sight glass</p> <p>④ Drive-end oil sight glass</p> |
|---|---|

1. Slowly remove the plug ① and/or ②.
2. Top off until the level is at the marking on the sight glass ③ and/or ④.
3. Screw in the plugs.
4. Visually check for leaks.

10.8 Changing the oil



Prior to any work requiring an opening of the vacuum system, the machine must be fully vented to atmospheric pressure.

The oil should be changed with the block temperature at 130°F to ensure the oil flows freely.

Drain the oil thoroughly from the blower block:

- Control end
- Drive end

Material Lubricating oil
Oil receptacle

Precondition The power supply disconnecting device is switched off,
The device is locked off,
A check has been made that no voltage is present.

⚠ WARNING

Danger of burns from hot components and oil!

- *Wear long-sleeved clothing and protective gloves.*

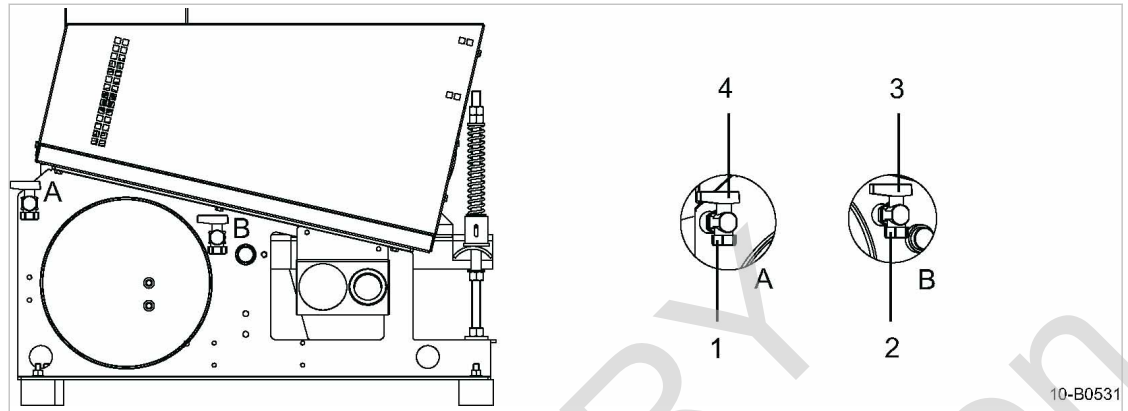


Fig. 29 Changing the oil

- | | | | |
|-----|-------------|-----|---------------|
| (A) | Drive end | (2) | Cap |
| (B) | Control end | (3) | Oil drain tap |
| (1) | Cap | (4) | Oil drain tap |

Draining the oil

1. Prepare an oil receptacle.
2. Open the filler plugs at the oil inlet of the blower block (1) and (2) (Fig. 28).
3. Take off the caps (1) and (2) and open the oil drain taps (3) and (4).
4. Drain the lubricating oil.



Dispose of the old oil in accordance with local environmental protection regulations.

Filling with fresh oil

1. Fill with fresh oil.
2. Allow the oil drain taps to remain open until fresh oil begins to run out (bleeding the oil drain lines).
3. Close the oil drain taps (3) and (4).
4. Check the oil level in both sight glasses (Fig. 28) and top off as necessary.
5. Screw on the caps (1) and (2).
6. Replace and tighten the plugs of the oil inlets at the blower block.
7. Visually check for leaks.

10.9 Air filter maintenance

The air filter protects the vacuum system contained in the scope of delivery from ingress of dirt.

NOTICE

*Machine damage caused by unsuitable air filter!
Dirt can enter the vacuum system and cause damage to the machine.*

➤ *Use only genuine KAESER replacement air filters.*



The air filter cannot be cleaned.

10.10 Air filter maintenance



Prior to any work requiring an opening of the vacuum system, the machine must be fully vented to atmospheric pressure.

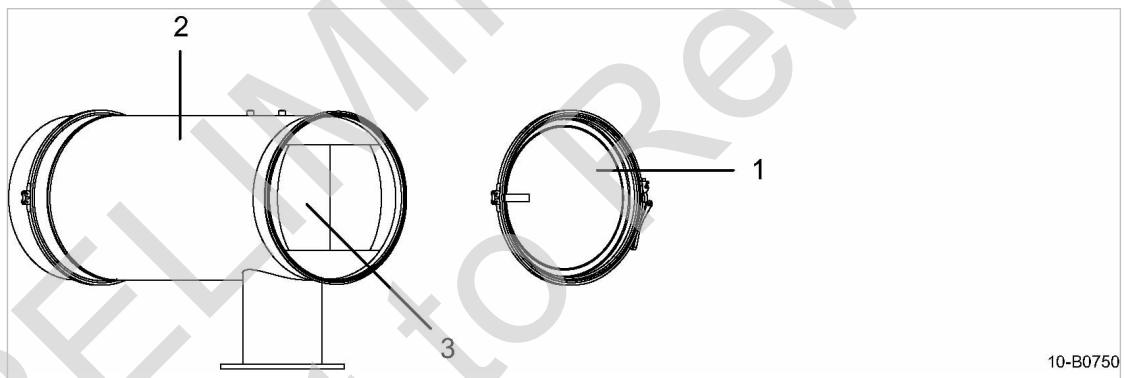
Material Spare parts

Precondition The power supply disconnecting device is switched off, the device is locked off, the absence of any voltage has been verified, the machine has cooled down.

⚠ WARNING

Danger of burns from hot components!

➤ *Wear long-sleeved clothing and gloves.*



10-B0750

Fig. 30 Changing the air filter

- ① Cover
- ② Inlet silencer
- ③ Air filter

1. Open the snap fastener on the inlet silencer cover.
2. Take off the cover ①.
3. Loosen the Velcro strip and remove the air filter ③.
4. Clean all parts and sealing surfaces.
5. Place the new filter around the perforated inlet port and secure with the Velcro strip.
6. Attach the cover to the inlet silencer.

10.11 Machine cleaning

Regularly clean the machine. This ensures reliable cooling of the machine. The frequency is mainly dependent on local operating conditions.



Clogged machines are indicative of unfavorable ambient conditions. Such ambient conditions clog the cooling air ducts in the machine's interior and the motors resulting in increased wear and tear.

Material Brush and/or compressed air
Protective gloves
Face mask and safety goggles (if required)
Vacuum cleaner

Precondition The power supply disconnecting device is switched off, the device is locked off, the absence of any voltage has been verified.
The machine has cooled down.

1. Open the sound enclosure (Option H12).
Dismantle panels in order to clean the cooling air ducts of the drive motor.
2. Dry brush the machine or blow off with compressed air.
3. Vacuum off dirt.
4. Close sound enclosure (Option H12).
Replace and lock panels.



The machine cannot be cleaned?
➤ Have severe clogging removed by an authorized KAESER service representative.

10.12 Motor maintenance

Motor maintenance depends on the type of motor.

Material Grease gun with bearing grease UNIREX N3
Cleaning cloth

10.12.1 Drive motor bearings with re-greasing facility



Use only the high temperature grease UNIREX N3 for the motor bearings. Damage to bearings caused by the use of other brands of grease is excluded from the warranty.
The required quantity of grease is stated on the motor maintenance plate.

Precondition The motor is running.

1. **⚠ WARNING** *Noise during machine operation without sound enclosure or noise due to opened removable access panel of the sound enclosure (Option H12)! Hearing may be damaged.*
➤ *Always wear hearing protection.*
2. **⚠ WARNING** *Danger of burns from hot components!*
➤ *Wear long-sleeved garments and protective gloves.*
➤ *Work with caution.*
3. **📌 NOTICE** *Motor damage due to incorrect re-greasing!*
If the motor is switched off, the new bearing grease is distributed incorrectly and pressed unused into the old grease tank.
➤ *Re-grease the bearings only with the motor running.*

4. The motor bearings must be replaced in the course of regular maintenance by an authorized KAESER service representative.

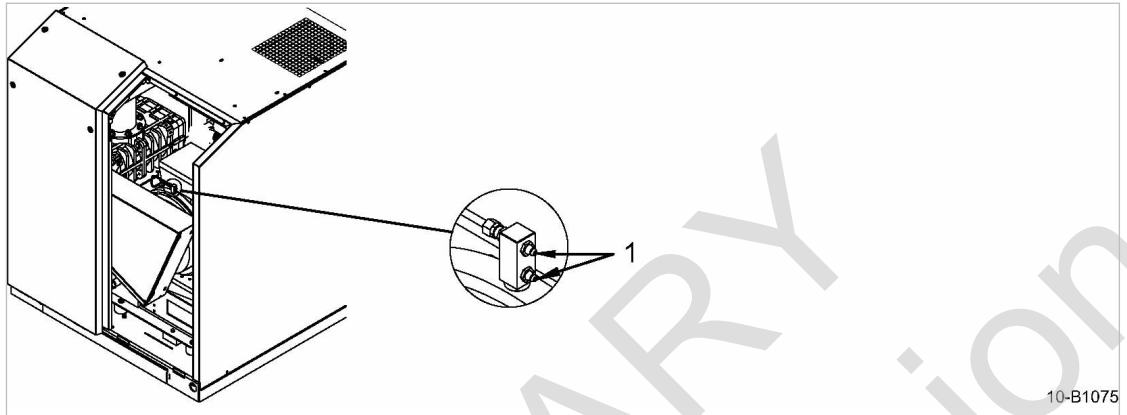


Fig. 31 Maintenance of a drive motor with re-greasing facility

- ① Grease fitting

1. Remove the sound enclosure access panel.
2. Clean the grease fittings ① with a cloth before greasing.
3. Grease both bearings with a grease gun.
4. Insert the access panel, close the latch.

Further information The re-greasing interval and required quantity of grease are provided in chapter 2.4. For further information regarding the motor, please consult the motor manual.

10.12.2 Permanently greased drive motor bearings

The motor bearings are permanently lubricated. Re-greasing is not necessary.

- The motor bearings must be replaced in the course of regular service calls by an authorized KAESER service representative.

Further information For further information regarding the motor, please consult the motor manual.

10.12.3 Fan motor

The motor bearings are permanently lubricated. Re-greasing is not necessary.

- The fan must be replaced in the course of regular service calls by an authorized KAESER service representative.

10.13 Testing the safety relief valve

Precondition The machine is switched off.
The machine is fully vented to atmosphere.

- Check the safety relief valve for free movement.
- The valve opens as soon as maximum working pressure is exceeded.
- Never operate the machine without a correctly functioning safety relief valve.
 - Do **not** adjust the safety relief valve.
 - Replace a defective safety relief valve.

10.14 Testing the EMERGENCY STOP push button

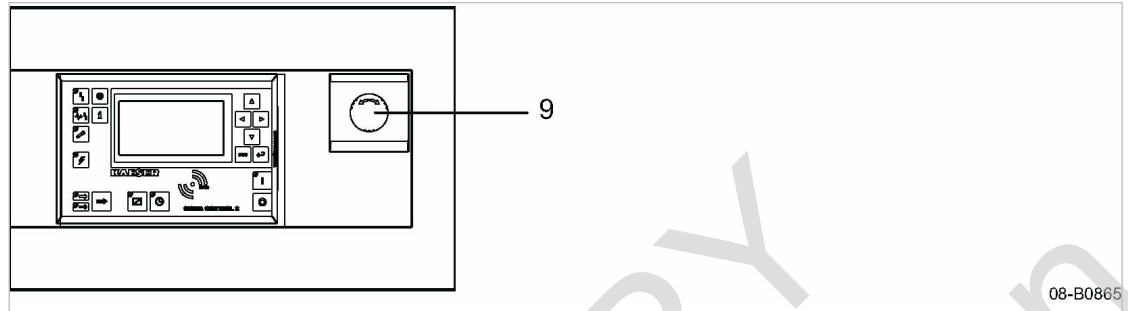


Fig. 32 Testing the EMERGENCY STOP push button

⑨ EMERGENCY STOP push button

Precondition The drive motor is running.

1. Press the EMERGENCY STOP push button.

The drive motor stops, the pressure system is vented and the machine is prevented from automatic restarting.



The drive motor does not stop?

The safety function of the EMERGENCY STOP push button is no longer ensured.

- Immediately shut down the machine and contact an authorized KAESER service representative.

2. Turn the EMERGENCY STOP push button in the direction of the arrow to unlatch it.
3. Acknowledge the fault message.

10.15 Checking rotors for contamination

Conveying of powder or dust-laden media can lead to build up of deposits inside the blower block.



Prior to performing any work requiring opening of the vacuum system, the machine must be fully vented to atmospheric pressure.

Precondition The power supply disconnecting device is switched off, the device is locked off, the absence of any voltage has been verified. The machine has cooled down.

⚠ CAUTION

Rotating rotors!

Risk of crushing or severing of extremities.

- Switch off and lock out the power supply disconnecting device and verify the absence of voltage.

1. Disconnect the flange connections on the blower block and look for contamination on the rotors.
2. If necessary, have the blower block cleaned by an authorized KAESER service representative.

11 Spares, Operating Materials, Service

11.1 Note the nameplate

The nameplate contains all information to identify your machine. This information is essential to us in order to provide you with optimal service.

- Please give the information from the nameplate with every inquiry and order for spares.

11.2 Ordering spares and operating fluids/materials

KAESER consumable parts and operating fluids/materials operating materials are original KAESER products. They are specifically selected for use in KAESER machines.

⚠ WARNING

There is risk of personal injury or damage to the machine resulting from the use of unsuitable spare parts or operating fluids/materials.

Non-Kaeser parts and operating fluids/materials may be unsuitable or of poor quality and can damage the machine or impair its proper function.

Damage to the machine can also result in personal injury.

- *Use only original KAESER parts and operating fluids/materials.*
- *Have authorized KAESER SERVICE representative carry out regular repair and maintenance.*

Machine

Name	Number
Drive belt	1800
Filter mat (control cabinet)	1150
Air filter	1250
Lubricating oil	1600

Tab. 41 Consumable parts

11.3 Replacement parts for service and repair

Use these spare parts lists to plan your material requirement according to operating conditions and to order the required spare parts.



- Make sure that any service or repair tasks not described in this manual are carried out by an authorized KAESER service representative.

11.3.1 Option C33, START CONTROL (STC)

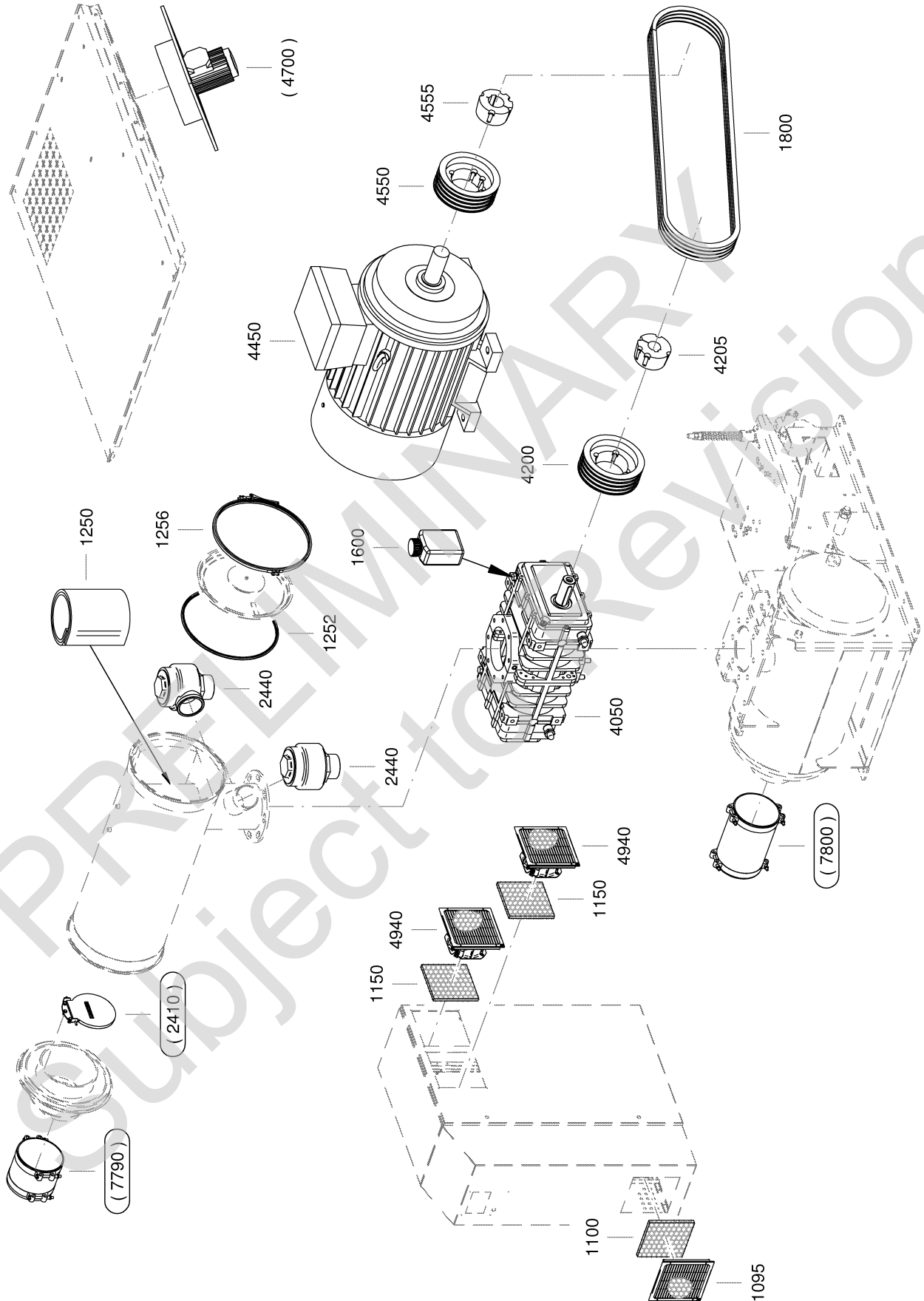
Legend		KAESER
EBC.2 vac		SEL-3903_01 E
Item	Description	Option
1250	Air filter insert	
1252	Inlet silencer gasket	
1256	Canopy fastener	
1600	OMEGA FLUID	
1800	Drive belt	
2410	Check valve	X
2440	Vacuum limiting valve	
4050	OMEGA blower block	
4200	Airend pulley	
4205	Tapered bushing, airend	
4450	Drive motor	
4550	Drive motor pulley	
4555	Tapered bushing, drive motor	
4700	Fan unit	X
7790	Compensator, air inlet	X
7800	Compensator, air outlet	X

PRELIMINARY
Subject to Revision

11.3.2 Option C34, OMEGA FREQUENCY CONTROL (OFC)

PRELIMINARY
Subject to Revision

Service-Kit
(Option)



SEG-5555_01

Legend		KAESER
EBC.2 OFC vac		SEL-3933_01 E
Item	Description	Option
1095	Control cabinet breather	
1100	Filter mat, control cabinet	
1150	Filter mat, converter cabinet	
1250	Air filter insert	
1252	Inlet silencer gasket	
1256	Canopy fastener	
1600	OMEGA FLUID	
1800	Drive belt	
2410	Check valve	X
2440	Vacuum limiting valve	
4050	OMEGA blower block	
4200	Airend pulley	
4205	Tapered bushing, airend	
4450	Drive motor	
4550	Drive motor pulley	
4555	Tapered bushing, drive motor	
4700	Fan unit	X
4940	Control cabinet fan SFC	
7790	Compensator, air inlet	X
7800	Compensator, air outlet	X

PRELIMINARY
Subject to Revision

11.4 KAESER AIR SERVICE

KAESER AIR SERVICE offers:

- authorized KAESER service representatives with KAESER factory training,
 - increased operational reliability ensured by preventive maintenance,
 - energy savings achieved by avoidance of pressure losses,
 - optimum conditions for operation of the compressed air system,
 - the security of genuine KAESER spare parts,
 - increased legal certainty as all regulations are kept to.
- Why not sign a KAESER AIR SERVICE maintenance agreement!

Result Your advantage:
lower costs and higher compressed air availability.

11.5 Completing the contamination declaration

Every company (user) is responsible for the health and safety of its employees. This extends to personnel who carry out servicing work at the user or service contractor.

A Declaration of Contamination must be completed and signed whenever maintenance or repair work is to be carried out on the machine.

1. Contact KAESER SERVICE and request the contamination declaration form.
2. Attach a copy of the Declaration of Contamination to the **outside** of the packing.

12 Decommissioning, Storage and Transport

12.1 Decommissioning

Decommissioning is necessary, for example, under the following circumstances:

- The machine is temporarily not needed,
- The machine is to be moved to another location,
- The machine is to be scrapped.

Temporary decommissioning

Precondition The machine can be started at regular intervals.

- Run the machine once a week for at least 30 minutes at operating temperature to ensure corrosion protection.

Long-term decommissioning

Precondition The power supply disconnecting device is switched off, the device is locked off, the absence of voltage has been verified, the machine is fully vented.

1. Allow the machine to completely cool down.
2. Disconnect all air and electrical connections.
3. Relax the drive belt.
4. Spray the machine inside and out with a preservative to prevent corrosion.
5. Store the machine in a dry, frost-proof room.

Further information Details of preservatives can be found in chapter 12.4.

12.2 Packing

A wooden crate is required for overland transport to protect the machine from mechanical damage. Other measures must be taken for the transport of machines by sea or air. Please contact an authorized KAESER SERVICE for more information.

Material Protective plastic sheeting
Wooden transport crate

Precondition The machine is decommissioned.
The machine is dry and cooled down.

1. Wrap the machine fully in plastic sheeting.
2. Protect the machine in a wooden crate against mechanical damages.

12.3 Transport

12.3.1 Safety

Weight and center of gravity determine the most suitable method of transportation. Both are specified in the dimensional drawings in chapter 13.2.

Precondition Transport only by pallet truck, forklift truck or lifting gear by personnel trained in the safe transportation of loads.

- Ensure the danger area is clear of personnel.

12.3.2 Transport machine with a pallet truck or forklift truck

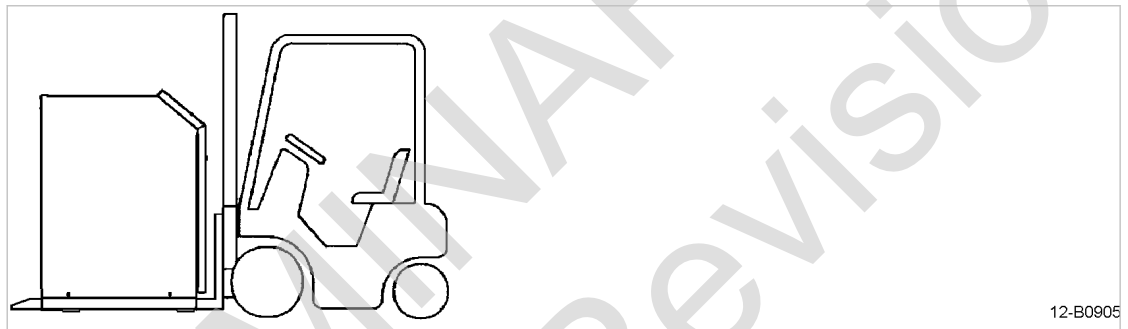


Fig. 33 Transport

1. Install the transport securing device and remove the cover plate from the sound enclosure's frame (see chapters 6.6 and 6.7).
2. Take note of the center of gravity.
3. Drive the pallet truck fully or forklift truck beneath the entire machine and transport with care.

12.4 Storage

Moisture can lead to corrosion, particularly on the surfaces of the blower block. The storage temperature must not fall below 5 °F.



Advice can be obtained from KAESER on storage and recommissioning.

CAUTION

Rotating rotors!

Danger of squashing or severing of extremities especially fingers.

- *Do not reach into the interior of the block.*

NOTICE

Moisture and frost can damage the machine!

- *Prevent ingress of moisture and formation of condensation.*

- Store the machine in a dry, frost-proof room.

- Protect the flange connections, drive shaft and delivery space of the block by spraying with appropriate conservation oil, e.g., ANTICORIT OHK.
- Seal off the inlet and discharge ports to prevent entry of dirt.
- Each month, manually turn the motor shaft by about 30°.
- Change the lubricating oil annually.

After lengthy storage

- Remove the preservative from the flow chamber with cleaning solvent.
- Observe the procedures for assembly and initial start-up.
- Change the lubricating oil.
- Re-grease the drive motor bearings if they are not of the permanently greased type.
- Check the condition and tension of the drive belts.

12.5 Disposal

When disposing of a machine, drain out all liquids and remove old filters.

Precondition The machine is decommissioned.

1. Completely drain the oil from the machine.
2. Remove old filters.
3. Hand the machine over to an authorized disposal expert.

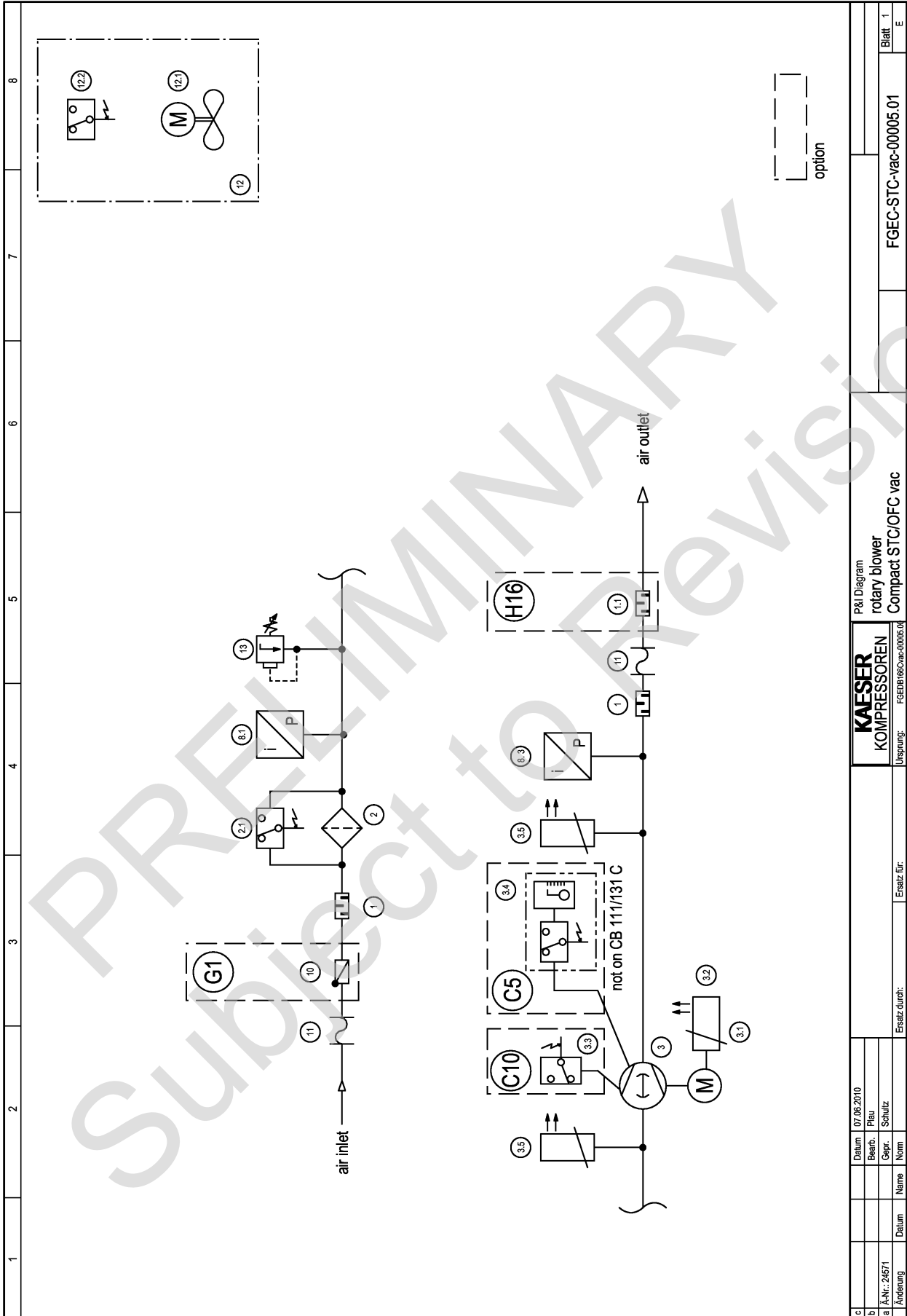


- Components contaminated with oil must be disposed of in accordance with local environmental protection regulations.

13 Annex

13.1 Pipeline and instrument flow diagram (P+I diagram)

PRELIMINARY
Subject to Revision



Date		07.06.2010	P&I Diagram		Blatt 1	
Bearb.		Pleu	rotary blower		E	
Änderung			Compact STC/OFC vac		FGEC-STC-vac-00005.01	
A-Nr.: 24571			Ursprung:		FGECB18Cvac-00005.01	
Name			Ersatz für:			
Datum			Ersatz durch:			

1		2	3	4	5	6	7	8
	1	silencer				option		
	1.1	blow-off silencer						
	2	air filter				C5	oil level monitor (not on CB 111/131 C)	
	2.1	differential pressure switch				C10	speed monitor	
	3	blower block				G1	check plate	
	3.1	drive motor				H16	blow-off silencer	
	3.2	PTC-sensor						
	3.3	speed monitor						
	3.4	oil-level sensor, switching						
	3.5	PT100-sensor						
	8.1	pressure transducer - system pressure						
	8.3	pressure transducer - air outlet						
	10	check plate						
	11	compensator						
	12	sound enclosure						
	12.1	fan motor						
	12.2	thermostat						
	13	inlet valve						
						P&I Diagram rotary blower Compact STC/OFC vac		Blatt 2 E
Änderung		Datum		Name		Ersatz durch:		Ursprung:
c		Datum	07.06.2010					KAESER KOMPRESSOREN <small>FGEB168vac0005.01</small>
b		Bearb.	Plau					
a		Gepr.	Schulz					
				Ersatz für:				

13.2 Dimensional drawing

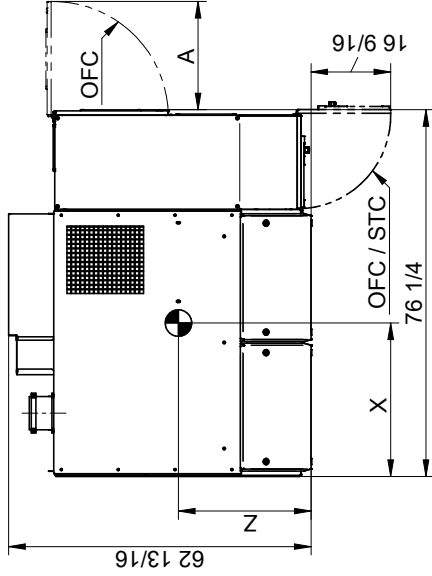
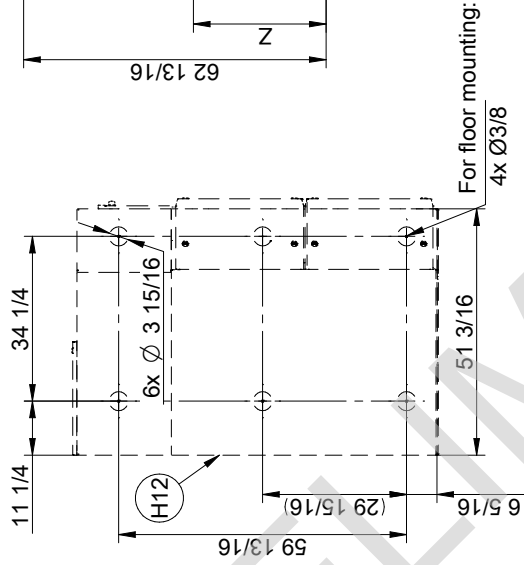
PRELIMINARY
Subject to Revision



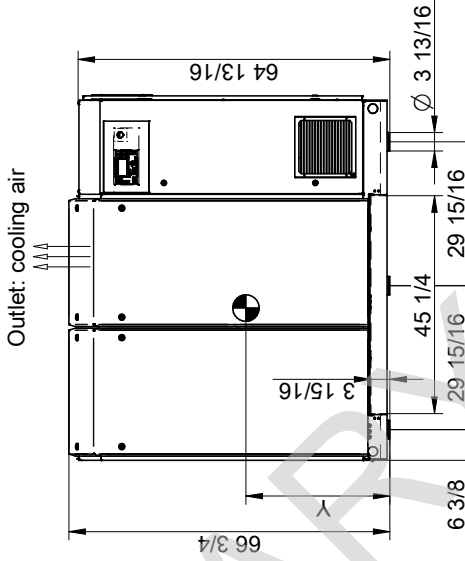
Model	Nominal power	OFC/STC			Z*	Weight**
		A	X*	Y*		
EB 291 C	25 hp	29 1/8 / 23 3/8	23 3/8	26 3/8	~ 2885/2487 lbs	
	30 hp	29 15/16 / 29 1/8	28 3/4	26 3/4	~ 2698/2500 lbs	
	40 hp	30 5/16 / 29 1/2	29 1/8	27 3/16	~ 2888/2689 lbs	
EB 421 C	25 hp	22 1/2 / 28 3/4	23 3/8	26 3/8	~ 2784/2586 lbs	
	30 hp	0	28 3/4	26 3/4	~ 2798/2599 lbs	
	40 hp	29 1/2 / 28 3/4	28 3/4	27 3/16	~ 2987/2789 lbs	
	50 hp	29 15/16 / 29 1/8	29 1/8	27 3/16	~ 3058/2848 lbs	
	60 hp	30 5/16 / 31 1/8	29 1/8	27 3/16	~ 3124/2926 lbs	
	75 hp	31 7/8 / 31 1/8	29 15/16	27 19/16	~ 3417/3164 lbs	

*(approximate dimensions)
** Standard values, weight may deviate according to motor manufacturer
Subject to development-related changes. Drawing may be altered on V.C.D.

Foundation plan



Outlet: cooling air



Dimensions shown in inches

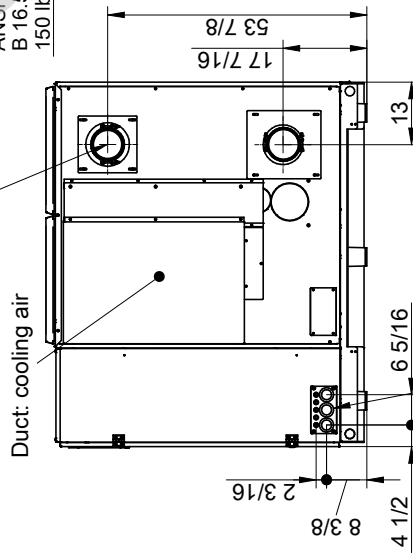
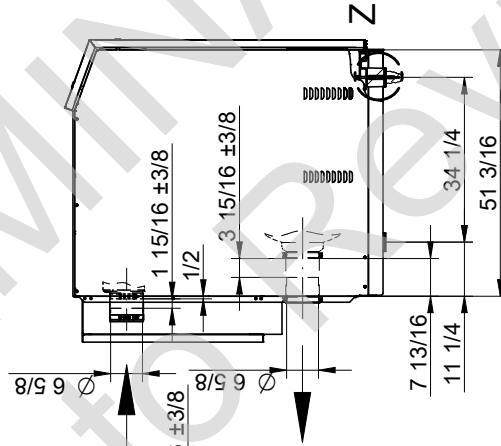
Change number	Projection	Scale	Date	Name
39300		1:25	21.03.2016	MYSIK1
Document TZ/II		Original	24.03.2016	MYSIK1
Document TZD		A3	24.03.2016	MYSIK1
Status	Released	Designation	EBC.2 OFC/STC vac H12	
		Dimension and connection dim.		

Language USE Sheet 1/1

optional
Flange connection
Hole pattern:
ANSI 6" B
16.5-1981
150 lb/sq.in.

Inlet: intake air

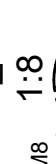
Duct: cooling air



Cable bushing

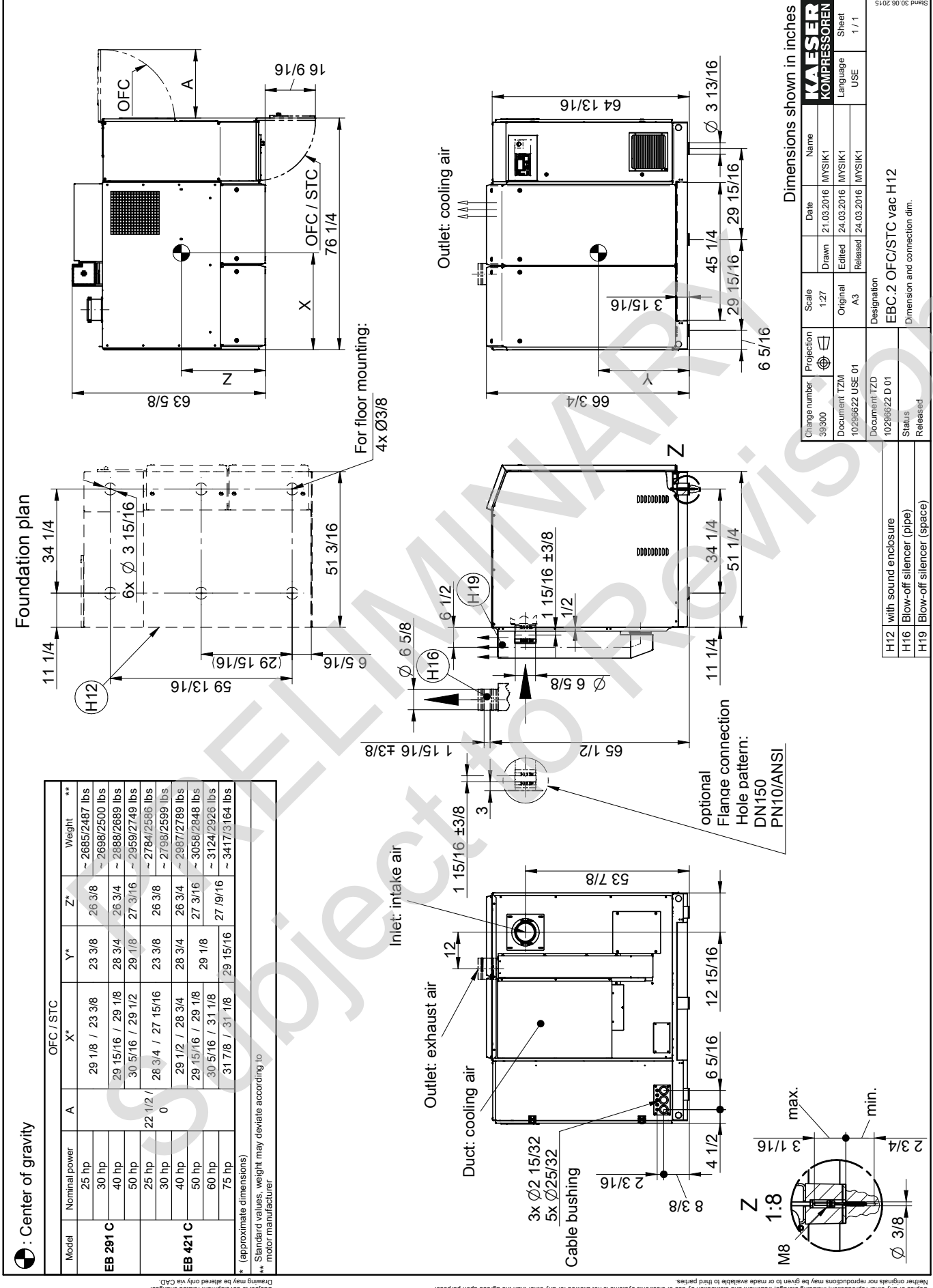
max.
min.

Z
1:8



H12 with sound enclosure

Drawings remain our exclusive property. Neither originals nor reproductions may be given to or made available to third parties. Copies or any other reproductions, including storage, treatment and distribution by use of electronic systems is not allowed for any other than the agreed upon purpose. Try are entitled only for the agreed upon purpose.



Drawings remain our exclusive property. Neither originals nor reproductions may be given to or made available to third parties. Copies or other reproductions, including storage, treatment and distribution by use of electronic systems is not allowed for any other than the agreed upon purpose. This is restricted only for the agreed upon purpose.

13.3 Design diagrams



The diagrams relate to the blower block.

	EB 291 C vac	EB 421 C vac
Blower block diagram	OMEGA 52 PLUS	OMEGA 53 PLUS

Tab. 42 Blower block diagram (machine layout)

The following data can be found in the diagrams:

Diagram legend	
A	Vacuum Performance 14.7 psia and 68 °F
B	Blower speed [rpm]
C	Blower shaft power [hp]
D	Inlet airflow [cfm]
E	Temperature rise [°F]

Tab. 43 Diagram legend

PRELIMINARY
Subject to Revision

OMEGA 52PLUS vac

(A) VACUUM PERFORMANCE
14,7 PSIA and 68°F

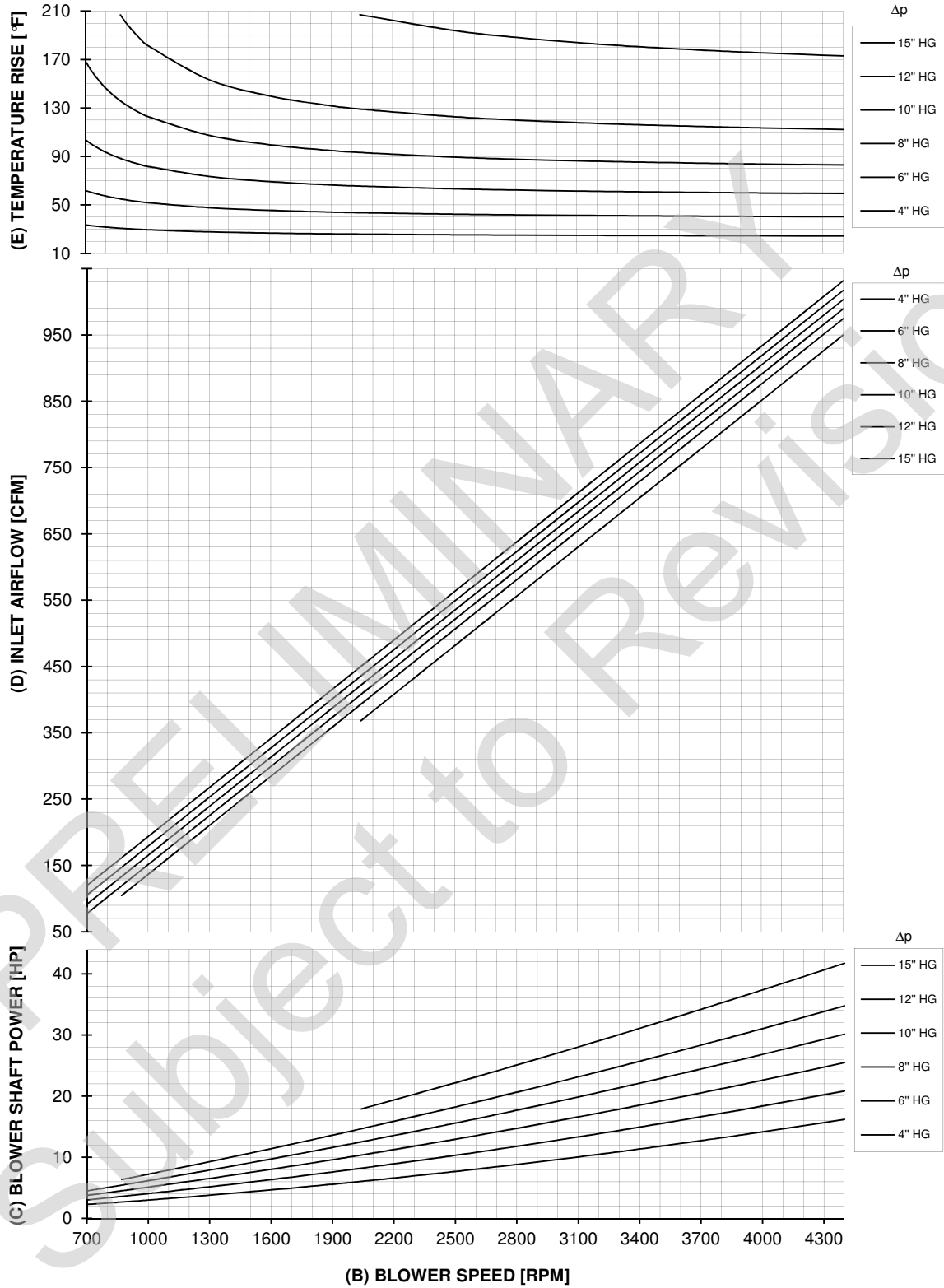


Diagramm O52P-vac

Stand: 01.2010

OMEGA 53PLUS vac

(A) VACUUM PERFORMANCE
14,7 PSIA and 68°F

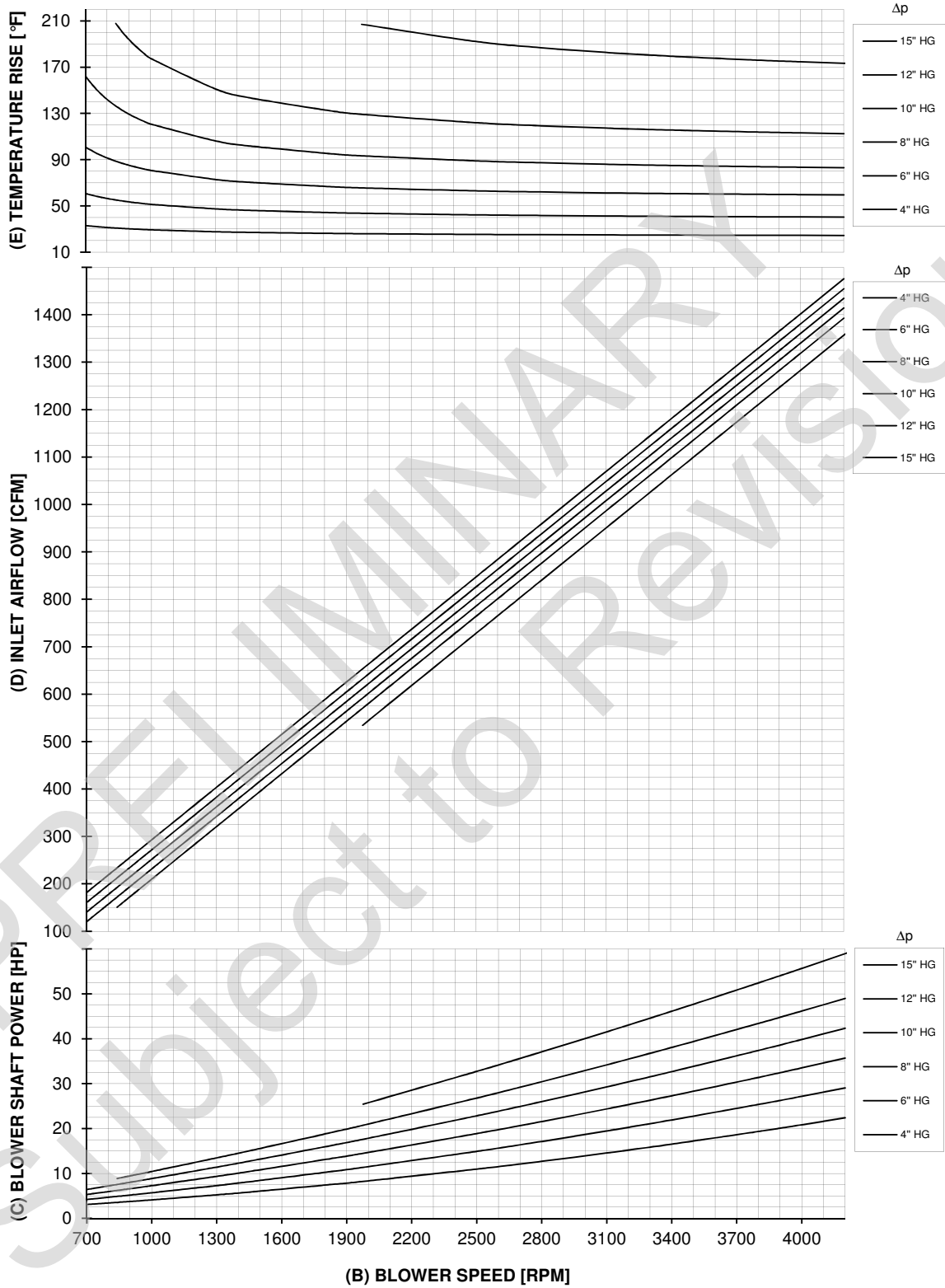


Diagramm O53P-vac

Stand: 01.2010

13.4 Sound emission

The values for sound pressure levels and sound power levels are provided in the tables below:
Each table discusses one type.

The values applicable to the machine result from the combination of the blower block speed and the differential pressure.

If the texts of the tables are not provided in the chosen language, a translation can be found here.

Table legend	
a)	Model
b)	Without sound enclosure
c)	With sound enclosure
d)	Blower block speed
e)	Pressure differential
f)	Sound pressure level
g)	Sound power level

Tab. 44 Sound emission - legend

a) EB291C			b) without sound enclosure		c) with sound enclosure	
d) block speed	e) pressure differential		f) sound level	g) sound power level	f) sound level	g) sound power level
[min ⁻¹]	[mbar]	[psi]	[dB(A)]	[dB(A)]	[dB(A)]	[dB(A)]
			± 3 dB(A)	± 3 dB(A)	± 3 dB(A)	± 3 dB(A)
2480	200	3	81	98	70	87
2480	300	4	82	99	70	87
2480	400	6	83	100	70	87
2480	500	7	84	101	70	87
2640	200	3	82	98	71	88
2640	300	4	83	99	71	88
2640	400	6	84	100	71	88
2640	500	7	85	101	72	89
2780	200	3	83	99	73	90
2780	300	4	84	100	74	91
2780	400	6	85	101	75	92
2780	500	7	86	102	70	87
2940	200	3	83	100	70	87
2940	300	4	84	101	70	87
2940	400	6	85	102	70	87
2940	500	7	86	103	71	88
3100	200	3	84	101	71	88
3100	300	4	85	102	71	88
3100	400	6	86	103	72	89
3100	500	7	87	104	73	90
3320	200	3	86	102	74	91
3320	300	4	87	103	75	92
3320	400	6	88	104	70	87
3320	500	7	89	105	70	87
3530	200	3	87	103	70	87
3530	300	4	88	104	70	87
3530	400	6	89	105	71	88
3530	500	7	90	106	71	88
3730	200	3	88	105	71	88
3730	300	4	89	106	72	89
3730	400	6	90	107	73	90
3730	500	7	91	108	74	91
3920	200	3	90	106	75	92
3920	300	4	91	107	70	87
3920	400	6	92	108	70	87
3920	500	7	93	109	70	87
4120	200	3	91	107	71	88
4120	300	4	92	108	71	88
4120	400	6	93	109	72	89
4120	500	7	94	110	72	89
4400	200	3	93	110	73	90
4400	300	4	94	111	73	90
4400	400	6	95	112	74	91
4400	500	7	96	113	75	92

a) EB421C			b) without sound enclosure		c) with sound enclosure	
d) block speed	e) pressure differential		f) sound level	g) sound power level	f) sound level	g) sound power level
[min ⁻¹]	[mbar]	[psi]	[dB(A)]	[dB(A)]	[dB(A)]	[dB(A)]
			± 3 dB(A)	± 3 dB(A)	± 3 dB(A)	± 3 dB(A)
2480	200	3	84	101	72	89
2480	300	4	84	101	72	89
2480	400	6	86	103	72	89
2480	500	7	87	104	72	89
2640	200	3	85	101	72	89
2640	300	4	85	101	72	89
2640	400	6	87	103	72	89
2640	500	7	88	104	72	89
2780	200	3	85	102	72	89
2780	300	4	85	102	72	89
2780	400	6	87	104	72	89
2780	500	7	88	105	72	89
2940	200	3	86	102	73	90
2940	300	4	86	102	73	90
2940	400	6	88	105	73	90
2940	500	7	89	106	73	90
3100	200	3	87	103	73	90
3100	300	4	87	103	73	90
3100	400	6	89	105	73	90
3100	500	7	90	106	73	90
3320	200	3	88	104	73	90
3320	300	4	88	104	73	90
3320	400	6	90	106	73	90
3320	500	7	91	107	73	90
3530	200	3	89	106	74	91
3530	300	4	89	106	74	91
3530	400	6	91	108	74	91
3530	500	7	92	109	74	91
3730	200	3	90	107	74	91
3730	300	4	90	107	74	91
3730	400	6	92	109	74	91
3730	500	7	93	110	74	91
3920	200	3	92	108	75	92
3920	300	4	92	108	75	92
3920	400	6	94	110	75	92
3920	500	7	95	111	75	92
4120	200	3	93	110	75	92
4120	300	4	93	110	75	92
4120	400	6	95	111	75	92
4120	500	7	96	112	75	92

13.5 Electrical diagrams

13.5.1 Option C33, START CONTROL (STC)

PRELIMINARY
Subject to Revision

1	2	3	4	5	6	7	8									
<div style="border: 1px solid black; padding: 10px; margin-bottom: 20px;"> <p style="font-size: 1.2em; margin: 0;">Wiring Diagram</p> <p style="font-size: 1.2em; margin: 0;">Blower with wye-delta start</p> <p style="margin: 0;">+ SIGMA CONTROL 2 (SC2)</p> <table style="width: 100%; border: none;"> <tr> <td style="padding-right: 20px;">230V ±10% 3ph 60Hz</td> <td style="padding-right: 20px;">5hp-40hp</td> <td style="padding-right: 20px;">(4kW-30kW)</td> </tr> <tr> <td>460V ±10% 3ph 60Hz</td> <td>5hp-175hp</td> <td>(4kW-132kW)</td> </tr> <tr> <td>575V ±10% 3ph 60Hz</td> <td>5hp-175hp</td> <td>(4kW-132kW)</td> </tr> </table> <p style="margin: 0;">Power supply: WYE system with center point solidly grounded</p> </div> <div style="margin-top: 20px;"> <p style="text-align: center; font-weight: bold;">KAESER KOMPRESSOREN SE</p> <p style="text-align: center;">Postfach 2143 96410 Coburg</p> </div>								230V ±10% 3ph 60Hz	5hp-40hp	(4kW-30kW)	460V ±10% 3ph 60Hz	5hp-175hp	(4kW-132kW)	575V ±10% 3ph 60Hz	5hp-175hp	(4kW-132kW)
230V ±10% 3ph 60Hz	5hp-40hp	(4kW-30kW)														
460V ±10% 3ph 60Hz	5hp-175hp	(4kW-132kW)														
575V ±10% 3ph 60Hz	5hp-175hp	(4kW-132kW)														
<p>ATTENTION !!!</p> <p>The document gives collective information on power supply voltages and frequencies for all machines. The voltage and frequency and local conditions under which any particular machine may be used are given on the nameplate of the machine and in the accompanying service manual.</p>																
<p>The drawings remain our exclusive property. They are entrusted only for the agreed purpose. Copies or any other reproductions, including storage, treatment and dissemination by use of electronic systems must not be made for any other than the agreed purpose. Neither originals nor reproductions must be forwarded or otherwise made accessible to third parties.</p>																
<p>KAESER KOMPRESSOREN <small>SXB.STC-U3010.02</small></p>		<p>cover page Blower STC+SC2</p>		<p>= +</p>		<p>DXB.STC-U3020.06</p>										
c	Date	14.12.2020	USE													
b	Drawn	M.Zeuh														
a	Released	M.Zeuh														
A	Change	Date	Name													
				page	1											
				1 Sht.	1 Sht.											

PRELIMINARY
Subject to Revision

Lfd. Nr. No.	Benennung Name	Zeichnungsnummer (Kunde) Drawing No. (customer)	Zeichnungsnummer (Hersteller) Drawing No. (manufacturer)	Blatt Page	Anlagenkennzeichen Unit designation
1	cover page		DXB.STC-U3020.06	1	
2	list of contents		ZXB.STC-U3020.06	1	
3	list of contents		ZXB.STC-U3020.06	2	
4	block diagram	instructions + option	UXB.STC-U3020.06	1	
5	block diagram	component legend	UXB.STC-U3020.06	2	
6	electrical component parts list	Common parts	UXB.STC-U3020.06	3	
7	electrical component parts list	Common parts	UXB.STC-U3020.06	4	
8	electrical component parts list	option	UXB.STC-U3020.06	5	
9	electrical component parts list	option	UXB.STC-U3020.06	6	
10	electrical component parts list	performance-related components	UXB.STC-U3020.06	7	
11	electrical component parts list	performance-related components	UXB.STC-U3020.06	8	
12	electrical component parts list	performance-related components	UXB.STC-U3020.06	9	
13	electrical component parts list	performance-related components	UXB.STC-U3020.06	10	
14	electrical component parts list	performance-related components	UXB.STC-U3020.06	11	
15	electrical component parts list	performance-related components	UXB.STC-U3020.06	12	
16	electrical component parts list	performance-related components	UXB.STC-U3020.06	13	
17	electrical component parts list	performance-related components	UXB.STC-U3020.06	14	
18	electrical component parts list	performance-related components	UXB.STC-U3020.06	15	
19	electrical component parts list	performance-related components	UXB.STC-U3020.06	16	
20	electrical component parts list	performance-related components	UXB.STC-U3020.06	17	
21	electrical component parts list	performance-related components	UXB.STC-U3020.06	18	
22	electrical component parts list	performance-related components	UXB.STC-U3020.06	19	
23	electrical component parts list	performance-related components	UXB.STC-U3020.06	20	
24	electrical component parts list	performance-related components	UXB.STC-U3020.06	21	
25	electrical component parts list	performance-related components	UXB.STC-U3020.06	22	
26	electrical component parts list	performance-related components	UXB.STC-U3020.06	23	
27	electrical component parts list	performance-related components	UXB.STC-U3020.06	24	
28	electrical component parts list	performance-related components	UXB.STC-U3020.06	25	
29	electrical component parts list	performance-related components	UXB.STC-U3020.06	26	
30	electrical component parts list	performance-related components	UXB.STC-U3020.06	27	
31	electrical component parts list	performance-related components	UXB.STC-U3020.06	28	
32	wiring diagram	power unit	SXB.STC-U3020.06	1	
33	wiring diagram	power unit vent	SXB.STC-U3020.06	2	
34	wiring diagram	control voltage	SXB.STC-U3020.06	3	
35	wiring diagram	Gear housing ventilation + venting valve	SXB.STC-U3020.06	4	
36	wiring diagram	type speed supervisory module	SXB.STC-U3020.06	5	
37	wiring diagram	Oil return + SC2 + IOM	SXB.STC-U3020.06	6	
38	wiring diagram	IOM-configuration	SXB.STC-U3020.06	7	
39	wiring diagram	digital inputs IOM	SXB.STC-U3020.06	8	
40	wiring diagram	analog inputs IOM	SXB.STC-U3020.06	9	
41	wiring diagram	Relay-outputs	SXB.STC-U3020.06	10	
42	wiring diagram	Handling terminals	SXB.STC-U3020.06	11	
43	wiring diagram	Feed line connection	SXB.STC-U3020.06	12	
44	wiring diagram	Feed line connection	SXB.STC-U3020.06	13	
45	terminal connection	-X0,-X11,-X12,-X13	KXB.STC-U3020.06	1	

c	Date	14.12.2020	list of contents	=	ZXB.STC-U3020.06	page 1			
b	Drawn	M.Zeeh					+		2 Sht.
a	Released	M.Zeeh							
B	Change	Date	Name						

Lfd. Nr. No.	Benennung Name	Zeichnungsnummer (Kunde) Drawing No. (customer)	Zeichnungsnummer (Hersteller) Drawing No. (manufacturer)	Blatt Page	Anlagenkennzeichen Unit designation
46	terminal connection	-X15,-X16,-X21,-X22,-X100	KXB.STC-U3020.06	2	
47	lay-out	control panel BBxxx	AXB.STC-U3020.06	1	
48	lay-out	control panel CB/D/E xxx	AXB.STC-U3020.06	2	
49	lay-out	control panel EBxxx	AXB.STC-U3020.06	3	
50	lay-out	control panel FBxxx	AXB.STC-U3020.06	4	

c	Date	14.12.2020	list of contents	=	+	ZXB.STC-U3020.06	page	2
b	Drawn	M.Zeesh						
a	Released	M.Zeesh						
B	Change	Date	Name					

PRELIMINARY
Subject to Revision

1	2	3	4	5	6	7	8
<p>general instructions</p> <p>ATTENTION !!! Install supplies, grounding and shock protection to local safety regulations. Control circuits are single-end-grounded, if they are floating they may only be used together with insulation monitoring. Do not make or break live plug-in connectors.</p>		<p>control cabinet wiring for non-designated conductors with multi-standard stranded conductors primary circuits: control voltage AC 115V: control voltage AC 115V grounded: control voltage DC 24V: control voltage DC 24V grounded: external voltage: ground conductor:</p>		<p>black 2,5mm² H07V-K, 14AWG UL-Style 1015, CSA-TEW red 1mm² H05V-K, 18AWG UL-Style 1015, CSA-TEW white 1mm² H05V-K, 18AWG UL-Style 1015, CSA-TEW blue 1mm² H05V-K, 18AWG UL-Style 1015, CSA-TEW blue/white 1mm² H05V-K, 18AWG UL-Style 1015, CSA-TEW orange 1,5mm² H07V-K, 16AWG UL-Style 1015, CSA-TEW green/yellow H07V-K, UL-Style 1015, CSA-TEW</p>			
<p>type model-dependent components</p> <p>B13 = mode of operation overpressure B14 = mode of operation Vacuum C5 = option oil level monitoring (-B80/-B81) (standard by Screw blowers) C10 = option Speed monitoring (-K26+sensor -B90) C11 = option Unloaded start valve C33 = START CONTROL C39 = option oil temperature monitoring (-B55) (standard by Screw blowers) xxx = Gear housing ventilation+Oil return (only EBS/FBS)</p>							
c	Date	14.12.2020	<p>KAESER KOMPRESSOREN</p>		block diagram		
b	Drawn	M.Zeesh			Blower STC+SC2		
a	Released	M.Zeesh	instructions + option			UXB-STC-U3020.06	
c	Change	Date	Name				page 1 28 Sht

	1	2	3	4	5	6	7	8
	-B1/-B4 -B5 -B21 -B24 -B40/-B43 -B55 -B59 -B60 -B70 -B80/-B81 -B90	pressure transducer (4...20mA) differential pressure switch filter clogging overload relay motor Blower overload relay vent motor soundproofing casing temperature probe Blower (PT100) temperature probe PT100 (option) thermal overload releasing relay thermist, compressor motor temperature probe soundproofing casing oil level switch speed sensors						
	-1FU -2FU -3FU -9FU -10FU -12FU -29FU	fuse control voltage tapping primary control fuse control transformer secondary control fuse control transformer fuse start unloading ball valve (-M23/-M24) fuse 24V-AC fuse auto-transformer 575V/460V fuse phase sequence relay						
	-K1 -K10 -K20 -K21 -K26 -K29 -K52 -K53 -K55 -K60	solenoid valve solenoid valve Oil return SIGMA CONTROL 2 (SC2) (MCS) SIGMA CONTROL 2 (SC2) (IOM-Modul) speed supervisory module phase sequence relay coupling relay solenoid valve coupling relay start unloading ball valve (-M23/-M24) coupling relay Oil return contactor EMERGENCY STOP (external/customer)						
	-M1 -M4 -M10 -M23 -M24	motor Blower ventilator soundproofing casing vacuum pump Gear housing ventilation motor start unloading ball valve motor start unloading ball valve						
	-Q1 -Q2 -Q3 -Q4	main contactor delta contactor wye contactor contactor ventilator soundproofing casing						
	-S1 -S9	EMERGENCY STOP pushbutton REMOTE reset fault message						
	-T11 -T12 -T21 -T45	control transformer 230V-AC auto-transformer 575V/460V control voltage supply 24V-DC isolating amplifier						
	-X0 -X11 -X12 -X15 -X16 -X21 -X22 -X100	terminal strip, power supply terminal strip, control SC2-IOM digital outputs SC2-IOM digital inputs analog signals (external) control voltage 24V-DC not used EMERGENCY STOP (external/customer)						
	-K20	Main Control System SC2 MCS						
	-X1 -X2 -X3 -X4 -X5 -X6	Ethernet IO-BUS RS485-FC (USS-Bus) communication module SD card slot ground connection						
	-K21	IO-Modul SC2 IOM-1 inside						
	-X1 -X2 -X3 -X4	IO-Bus input IO-Bus output digital inputs power supply unit and Transistor outputs						
	-X5,-X9 -X6 -X7 -X8	Relay outputs analog input 0-20mA analog input PT100 digital inputs						
	-X11...-X13 -X14...-X17 -X18...-X29 -X30...-X32	external analog inputs 0-20mA analog inputs PT100 digital inputs digital outputs						

Date		14.12.2020	
c	Drawn	M.Zeesh	
b	Released	M.Zeesh	
a	Date	Name	
C	Change		
block diagram		Blower STC+SC2	
component legend		UXB-STC-U3020.06	
		= +	
		page 2	
		28 Sht	

model	Common parts				page 3 28 Sht
	5 - 20 hp	5 - 20 hp	5 - 175 hp	5 - 175 hp	
machine power supply	208 V ±10 %, 60 Hz (4-15 kW)	230 V ±10 %, 60 Hz (4-15 kW)	460 V ±10 %, 60 Hz (4-132 kW)	575 V ±10 %, 60 Hz (4-132 kW)	= + UXB-STC-U3020.06
pressure transducer -B1 Huba Control	894786.0 0.-1200mbar	894786.0 0.-1200mbar	894786.0 0.-1200mbar	894786.0 0.-1200mbar	
pressure transducer -B4 Huba Control	894787.0 0.1200mbar	894787.0 0.1200mbar	894787.0 0.1200mbar	894787.0 0.1200mbar	electrical component parts list Blower STC+SC2 Common parts
differential pressure switch -B5 Dungs	893307.00010 setting: 14,1 in.W.C.	893307.00010 setting: 14,1 in.W.C.	893307.00010 setting: 14,1 in.W.C.	893307.00010 setting: 14,1 in.W.C.	
temperature probe -B40/-B43 WIKA	895251.10010 (BB/CB/DB) 895251.10040 (EB-C/FB) 895603.00040 (EB-S) Pt100	895251.10010 (BB/CB/DB) 895251.10040 (EB-C/FB) 895603.00040 (EB-S) Pt100	895251.10010 (BB/CB/DB) 895251.10040 (EB-C/FB) 895603.00040 (EB-S) Pt100	895251.10010 (BB/CB/DB) 895251.10040 (EB-C/FB) 895603.00040 (EB-S) Pt100	
temperature probe -B55	895251.10100 895603.00100 (EB-S) Pt100	895251.10100 895603.00100 (EB-S) Pt100	895251.10100 895603.00100 (EB-S) Pt100	895251.10100 895603.00100 (EB-S) Pt100	
thermal overload releasing relay -B59 Ziehl	7.2711.00040 MS220K 24 V UC	7.2711.00040 MS220K 24 V UC	7.2711.00040 MS220K 24 V UC	7.2711.00040 MS220K 24 V UC	
temperature probe -B70 Wieland	895393.10400 (BB/CB/DB) 895393.10410 (EB) 895393.10420 (FB) Pt100	895393.10400 (BB/CB/DB) 895393.10410 (EB) 895393.10420 (FB) Pt100	895393.10400 (BB/CB/DB) 895393.10410 (EB) 895393.10420 (FB) Pt100	895393.10400 (BB/CB/DB) 895393.10410 (EB) 895393.10420 (FB) Pt100	
fuse -1FU Gould	(3x) - 7.3161.00190 ATQR 8 A - 600 V - class CC	(3x) - 7.3161.00190 ATQR 8 A - 600 V - class CC	(3x) - 7.3161.00190 ATQR 8 A - 600 V - class CC	(3x) - 7.3161.00190 ATQR 8 A - 600 V - class CC	
fuse -2FU Gould	(2x) - 7.3161.00160 ATQR 5 A - 600 V - class CC	(2x) - 7.3161.00141 ATQR 4 A - 600 V - class CC	(2x) - 7.3317.1 ATQR 3 A - 600 V - class CC	(2x) - 7.3317.1 ATQR 3 A - 600 V - class CC	
fuse -3FU Gould	(1x) - 7.3161.00160 ATQR 5 A - 600 V - class CC	(1x) - 7.3161.00160 ATQR 5 A - 600 V - class CC	(1x) - 7.3161.00160 ATQR 5 A - 600 V - class CC	(1x) - 7.3161.00160 ATQR 5 A - 600 V - class CC	
fuse -29FU Gould	(3x) - 7.3161.00360 ATDR 1 A - 600 V - class CC	(3x) - 7.3161.00360 ATDR 1 A - 600 V - class CC	(3x) - 7.3161.00360 ATDR 1 A - 600 V - class CC	(3x) - 7.3161.00360 ATDR 1 A - 600 V - class CC	
fuse socket -1FU/-29FU -2FU -3FU Wöhner	3-pole (2x) - 7.3320.00060 2-pole (1x) - 7.3320.00070 1-pole (1x) - 7.3320.00050 class CC - Ambus Easy Switch	3-pole (2x) - 7.3320.00060 2-pole (1x) - 7.3320.00070 1-pole (1x) - 7.3320.00050 class CC - Ambus Easy Switch	3-pole (2x) - 7.3320.00060 2-pole (1x) - 7.3320.00070 1-pole (1x) - 7.3320.00050 class CC - Ambus Easy Switch	3-pole (2x) - 7.3320.00060 2-pole (1x) - 7.3320.00070 1-pole (1x) - 7.3320.00050 class CC - Ambus Easy Switch	
fuse -10FU	895637.0 5x20 0,315 A-T 250 VAC	895637.0 5x20 0,315 A-T 250 VAC	895637.0 5x20 0,315 A-T 250 VAC	895637.0 5x20 0,315 A-T 250 VAC	
solenoid valve -K10 bürkert	895601.0 24V-DC 8W	895601.0 24V-DC 8W	895601.0 24V-DC 8W	895601.0 24V-DC 8W	
Blower control -K20 Prodrive	7.7601.0 SC2MCS	7.7601.0 SC2MCS	7.7601.0 SC2MCS	7.7601.0 SC2MCS	
Blower control -K21 Prodrive	7.7602.1 SC2IOM-1	7.7602.1 SC2IOM-1	7.7602.1 SC2IOM-1	7.7602.1 SC2IOM-1	
phase sequence relay -K29 Siemens	7.7830.00600 3UG4615	7.7830.00600 3UG4615	7.7830.00600 3UG4615	7.7830.00600 3UG4615	
coupling relay -K55 Siemens	7.8237.00340 3RH2122-2JB40 DC 17-30 V AC-15: 230 V/10 A	7.8237.00340 3RH2122-2JB40 DC 17-30 V AC-15: 230 V/10 A	7.8237.00340 3RH2122-2JB40 DC 17-30 V AC-15: 230 V/10 A	7.8237.00340 3RH2122-2JB40 DC 17-30 V AC-15: 230 V/10 A	
vacuum pump -M10 Schwarzer	895612.00100 24V-AC 60 Hz, 4W	895612.00100 24V-AC 60 Hz, 4W	895612.00100 24V-AC 60 Hz, 4W	895612.00100 24V-AC 60 Hz, 4W	
contactor -Q4 Siemens	7.8740.00310 3RT2016-1AK61	7.8740.00310 3RT2016-1AK61	7.8740.00310 3RT2016-1AK61	7.8740.00310 3RT2016-1AK61	
Fortsetzung: nächstes Blatt					

model	Common parts				page 28 Sht					
	5 - 20 hp	5 - 20 hp	5 - 175 hp	5 - 175 hp						
machine power supply	208 V ±10 %, 60 Hz (4-15 kW)	230 V ±10 %, 60 Hz (4-15 kW)	460 V ±10 %, 60 Hz (4-132 kW)	575 V ±10 %, 60 Hz (4-132 kW)	= + UXB-STC-U3020.06					
interference suppressor Siemens	7.8740.05130 3RT2916-1CC00	7.8740.05130 3RT2916-1CC00	7.8740.05130 3RT2916-1CC00	7.8740.05130 3RT2916-1CC00						
Not-Halt -S1	834424.0 subassembly complete	834424.0 subassembly complete	834424.0 subassembly complete	834424.0 subassembly complete						
control transformer -T11 Block	7.2238.10090 USTE630 - 630 VA 208-600 V/2x 115 V+ 24 V	7.2238.10090 USTE630 - 630 VA 208-600 V/2x 115 V+ 24 V	7.2238.10090 USTE630 - 630 VA 208-600 V/2x 115 V+ 24 V	7.2238.10090 USTE630 - 630 VA 208-600 V/2x 115 V+ 24 V						
power supply -T21 Prodrive	7.7605P0 PSDC24/2.5 100-240 V-AC/24 V-DC 2,5 A	7.7605P0 PSDC24/2.5 100-240 V-AC/24 V-DC 2,5 A	7.7605P0 PSDC24/2.5 100-240 V-AC/24 V-DC 2,5 A	7.7605P0 PSDC24/2.5 100-240 V-AC/24 V-DC 2,5 A						
isolating amplifier -T45 Phoenix	7.2892.00040 MCR-C-1/1-00-DC	7.2892.00040 MCR-C-1/1-00-DC	7.2892.00040 MCR-C-1/1-00-DC	7.2892.00040 MCR-C-1/1-00-DC						
control line terminal -X. 11/12/15/16/21/22/100 Handling	895635.0 Wieland WTP fig. 1, Sht. 11	895635.0 Wieland WTP fig. 1, Sht. 11	895635.0 Wieland WTP fig. 1, Sht. 11	895635.0 Wieland WTP fig. 1, Sht. 11						
<p style="text-align: center; font-size: 2em; opacity: 0.3; transform: rotate(-30deg);">PRELIMINARY Subject to Revision</p>						electrical component parts list Blower STC+SC2 Common parts				
					KAESER KOMPRESSOREN					
					Date 14.12.2020					
					<table border="0"> <tr> <td>Drawn</td> <td>M.Zeeh</td> </tr> <tr> <td>Released</td> <td>M.Zeeh</td> </tr> </table>					Drawn
Drawn	M.Zeeh									
Released	M.Zeeh									
<table border="0"> <tr> <td>Date</td> <td>Name</td> </tr> <tr> <td> </td> <td> </td> </tr> </table>					Date	Name				
Date	Name									
<table border="0"> <tr> <td>C Change</td> <td>Date</td> </tr> <tr> <td> </td> <td> </td> </tr> </table>					C Change	Date				
C Change	Date									

model	option			
	BB	BB	BB	BB
machine power supply	208 V / 60 Hz	230 V / 60 Hz	460 V / 60 Hz	575 V / 60 Hz
option C5/C39: oil function monitors				
oil level switch (option C5)	-B80/-B81 Elobau	---	---	---
oil temperature (option C39)	-B55 Wika	---	---	---
option C10: Speed monitoring				
supervisory module	-K26 ifm	895323.0 FR1 - DD2503	895323.0 FR1 - DD2503	895323.0 FR1 - DD2503
speed sensor	-B90 ifm	895039.0 IFC201	895039.0 IFC201	895039.0 IFC201
option C11: Unloaded start valve 24 V-DC (electromagnetic)				
solenoid valve	-K1 Riegler	---	---	---
option C11: Unloaded start valve 115 V-AC (electromagnetic)				
solenoid valve	-K1 bücker	893584.00010 115V/60 Hz (1PH/N/GRD)	893584.00010 115V/60 Hz (1PH/N/GRD)	893584.00010 115V/60 Hz (1PH/N/GRD)
coupling relay	-K52 Wieland	7.3149.00660 FLARE 24 V-DC 1W-250 V/6 A	7.3149.00660 FLARE 24 V-DC 1W-250 V/6 A	7.3149.00660 FLARE 24 V-DC 1W-250 V/6 A
option C11: Unloaded start valve 115 V-AC (ball valve)				
coupling relay	-K53 Siemens	---	---	---
actuator drive	-M23 / (-M24) Sun Yeh	---	---	---
fuse	-9FU Gould	---	---	---

page	5
28 Sht	
UXB-STC-U3020.06	
electrical component parts list	
Blower STC+SC2	
option	
KAESER KOMPRESSOREN	
Date	14.12.2020
Drawn	M.Zeesh
Released	M.Zeesh
Name	
Date	
C Change	

model	option CB-DB-EB CB-DB-EB CB-DB-EB CB-DB-EB FB					page 28 Sht
machine power supply	208 V / 60 Hz	230 V / 60 Hz	460 V / 60 Hz	575 V / 60 Hz	460 V+ 575 V / 60 Hz	= + UXB-STC-U3020.06
option C5/C39: oil function monitors						
oil level switch (option C5)	-B80/-B81 Elobau	894631.00010	894631.00010	894631.00010	894631.00010	electrical component parts list Blower STC+SC2 option
oil temperature (option C39)	-B55 Wika	895251.10100 (xB-C) 895603.00100 (EB-S) Pt100	895251.10100 (xB-C) 895603.00100 (EB-S) Pt100	895251.10100 (xB-C) 895603.00100 (EB-S) Pt100	895251.10100 (xB-C) 895603.00100 (EB-S) Pt100	
option C10: Speed monitoring						
supervisory module	-K26 ifm	895323.0 FR1 - DD2503	895323.0 FR1 - DD2503	895323.0 FR1 - DD2503	895323.0 FR1 - DD2503	KAESER KOMPRESSOREN
speed sensor	-B90 ifm	895039.0 IFC201	895039.0 IFC201	895039.0 IFC201	895039.0 IFC201	
option C11: Unloaded start valve 24 V-DC (electromagnetic) (only EBS+ FBS)						
solenoid valve	-K1 Riegler	894204.00020 24V - DC	894204.00020 24V - DC	894204.00020 24V - DC	894204.00020 24V - DC	
option C11: Unloaded start valve 115 V-AC (ball valve) (only EBS)						
coupling relay	-K53 Siemens	7.8237.00340 3RH2122-2JB40 DC 17-30 V AC-15: 240 V/10 A	7.8237.00340 3RH2122-2JB40 DC 17-30 V AC-15: 240 V/10 A	7.8237.00340 3RH2122-2JB40 DC 17-30 V AC-15: 240 V/10 A	7.8237.00340 3RH2122-2JB40 DC 17-30 V AC-15: 240 V/10 A	Date 14.12.2020 Drawn M.Zeeh Released M.Zeeh Name Date
actuator drive	-M23 / (-M24) Sun Yeh	895449.00010 OM-1 110 V	895449.00010 OM-1 110 V	895449.00010 OM-1 110 V	895449.00010 OM-1 110 V	
fuse	-9FU Gould	7.3304.00010 ATDR 2 A - 600 V class CC	7.3304.00010 ATDR 2 A - 600 V class CC	7.3304.00010 ATDR 2 A - 600 V class CC	7.3304.00010 ATDR 2 A - 600 V class CC	
fuse socket	-9FU Wöhner	1-pole - 7.3320.00050 cl. CC Ambus Easy Switch	1-pole - 7.3320.00050 cl. CC Ambus Easy Switch	1-pole - 7.3320.00050 cl. CC Ambus Easy Switch	1-pole - 7.3320.00050 cl. CC Ambus Easy Switch	
						C Change

model	performance-related components				page 7 28 Sht
	5 hp BB (4 kW)	7,5 hp BB+ CB+DB (5,5 kW)	10 hp BB+ CB+DB (7,5 kW)	15 hp BB+ CB+DB (11 kW)	
machine power supply	208 V ±10 %, 60 Hz	208 V ±10 %, 60 Hz	208 V ±10 %, 60 Hz	208 V ±10 %, 60 Hz	= + UXB-STC-U3020.06
overload relay -B21 Siemens	7.8741.00070 3RB3026-1QB0 6-25 A / S0 setting: 7,2 A NEC 430.32(C) incremental setting: 8,1 A	7.8741.00070 3RB3026-1QB0 6-25 A / S0 setting: 9,8 A NEC 430.32(C) incremental setting: 11,0 A	7.8741.00070 3RB3026-1QB0 6-25 A / S0 setting: 13,3 A NEC 430.32(C) incremental setting: 15,0 A	7.8741.00080 3RB3026-1VB0 10-40 A / S0 setting: 19,7 A NEC 430.32(C) incremental setting: 22,2 A	
overload relay soundproofing casing -B24 Siemens	7.8741.00030 3RB3016-1PB0 1,00-4,00 A / S00 setting: 1,43 A NEC 430.32(C) incremental setting: 1,61 A	7.8741.00030 3RB3016-1PB0 1,00-4,00 A / S00 setting: 1,43 A NEC 430.32(C) incremental setting: 1,61 A	7.8741.00030 3RB3016-1PB0 1,00-4,00 A / S00 setting: 1,43 A NEC 430.32(C) incremental setting: 1,61 A	7.8741.00030 3RB3016-1PB0 1,00-4,00 A / S00 setting: 1,43 A NEC 430.32(C) incremental setting: 1,61 A	electrical component parts list 208V BB+CB+DB performance-related components
Blower motor -M1 Siemens	894989.0 208V-DD/60 Hz	894990.0 208V-DD/60 Hz	894991.0 208V-DD/60 Hz	894992.0 208V-DD/60 Hz	
vent motor soundproofing casing -M4 ebm	895260.00010 W2D250 115 V/60 Hz (1PH/N/GRD) 175W 1,55 A	895260.00010 W2D250 115 V/60 Hz (1PH/N/GRD) 175W 1,55 A	895260.00010 W2D250 115 V/60 Hz (1PH/N/GRD) 175W 1,55 A	895260.00010 W2D250 115 V/60 Hz (1PH/N/GRD) 175W 1,55 A	KAESER KOMPRESSOREN
contactor -Q1 / -Q2	7.8740.00350 3RT2024-1AK60	7.8740.00360 3RT2025-1AK60	7.8740.00370 3RT2026-1AK60	7.8740.00390 3RT2028-1AK60	
auxiliary switch	KAESER KOMPRESSOREN
auxiliary switch	
interference suppressor	7.8740.05140 3RT2926-1CC00	7.8740.05140 3RT2926-1CC00	7.8740.05140 3RT2926-1CC00	7.8740.05140 3RT2926-1CC00	KAESER KOMPRESSOREN
terminal	7.3140.05080 3RV2925-5EB	7.3140.05080 3RV2925-5EB	7.3140.05080 3RV2925-5EB	7.3140.05080 3RV2925-5EB	
Phase rail	7.6861.0 3RV1915-1AB	7.6861.0 3RV1915-1AB	7.6861.0 3RV1915-1AB	7.6861.0 3RV1915-1AB	KAESER KOMPRESSOREN
contactor -Q3	7.8740.00310 3RT2016-1AK61	7.8740.00310 3RT2016-1AK61	7.8740.00330 3RT2018-1AK61	7.8740.00380 3RT2027-1AK60	
auxiliary switch	7.8740.05010 3RH2911-1HA11	7.8740.05010 3RH2911-1HA11	7.8740.05010 3RH2911-1HA11	7.8740.05010 3RH2911-1HA11	KAESER KOMPRESSOREN
auxiliary switch	
interference suppressor	7.8740.05130 3RT2916-1CC00	7.8740.05130 3RT2916-1CC00	7.8740.05130 3RT2916-1CC00	7.8740.05140 3RT2926-1CC00	KAESER KOMPRESSOREN
wye bridge	7.3140.05030 3RT1916-4BA31	7.3140.05030 3RT1916-4BA31	7.3140.05030 3RT1916-4BA31	7.3140.02070 3RT1926-4BA31	
motor cable -W19.1/19.2	4x14 AWG / 4G2,5 mm ² 600 V - 90°C	4x14 AWG / 4G2,5 mm ² 600 V - 90°C	4x12 AWG / 4G4 mm ² 600 V - 90°C	4x10 AWG / 4G6 mm ² 600 V - 90°C	KAESER KOMPRESSOREN
connection -W11 -W13 -W14	10 AWG / 6 mm ² Phase rail 14 AWG / 2,5 mm ² 600 V - 90°C	10 AWG / 6 mm ² Phase rail 14 AWG / 2,5 mm ² 600 V - 90°C	8 AWG / 10 mm ² Phase rail 14 AWG / 2,5 mm ² 600 V - 90°C	8 AWG / 10 mm ² Phase rail Phase rail 14 AWG / 2,5 mm ² 600 V - 90°C	
supply terminals -X0: U1/V1/W1/GRD	894864.00010 14-4 AWG / 2,5-16 mm ² Wieland fig. 2, Sht. 11 16 mm	894864.00010 14-4 AWG / 2,5-16 mm ² Wieland fig. 2, Sht. 11 16 mm	894864.00010 14-4 AWG / 2,5-16 mm ² Wieland fig. 2, Sht. 11 16 mm	894864.00010 14-4 AWG / 2,5-16 mm ² Wieland fig. 2, Sht. 11 16 mm	Date 14.12.2020 Drawn M.Zeeh Released M.Zeeh
supply Handling Stripped length X connection	fig. 1, Sht. 12	fig. 1, Sht. 12	fig. 1, Sht. 12	fig. 1, Sht. 12	
					Date Name C Change

model	performance-related components					page 28 Sht
	20 hp BB+ CB+DB (15 kW)	25 hp CB+ DB (18,5 kW)	30 hp CB+ DB (22 kW)	40 hp CB (30 kW)	40 hp DB (30 kW)	
machine power supply	208 V ±10 %, 60 Hz	208 V ±10 %, 60 Hz	208 V ±10 %, 60 Hz	208 V ±10 %, 60 Hz	208 V ±10 %, 60 Hz	= + UXB-STC-U3020.06
overload relay -B21 Siemens	7.8741.00090 3RB3036-1UB0 12,5-50 A / S2 setting: 26,6 A NEC 430.32(C) incremental setting: 30,0 A	7.8741.00090 3RB3036-1UB0 12,5-50 A / S2 setting: 31,9 A NEC 430.32(C) incremental setting: 36,0 A	7.8741.00100 3RB3036-1WB0 20-80 A / S2 setting: 38,2 A NEC 430.32(C) incremental setting: 43,2 A	7.8741.00100 3RB3036-1WB0 20-80 A / S2 setting: 52,1 A NEC 430.32(C) incremental setting: 58,8 A	7.8741.00100 3RB3036-1WB0 20-80 A / S2 setting: 54,2 A NEC 430.32(C) incremental setting: 61,2 A	
overload relay soundproofing casing -B24 Siemens	7.8741.00030 3RB3016-1PB0 1,00-4,00 A / S00 setting: 1,43 A NEC 430.32(C) incremental setting: 1,61 A	7.8741.00030 3RB3016-1PB0 1,00-4,00 A / S00 setting: 1,43 A NEC 430.32(C) incremental setting: 1,61 A	7.8741.00030 3RB3016-1PB0 1,00-4,00 A / S00 setting: 1,43 A NEC 430.32(C) incremental setting: 1,61 A	7.8741.00030 3RB3016-1PB0 1,00-4,00 A / S00 setting: 1,43 A NEC 430.32(C) incremental setting: 1,61 A	7.8741.00030 3RB3016-1PB0 1,00-4,00 A / S00 setting: 1,43 A NEC 430.32(C) incremental setting: 1,61 A	
Blower motor -M1 Siemens	895049.0 208V-DD/60 Hz	894994.0 208V-DD/60 Hz	894995.0 208V-DD/60 Hz	894996.1 (CB) 208V-DD/60 Hz	894997.1 (DB) 208V-DD/60 Hz	
vent motor soundproofing casing -M4 ebm	895260.00010 W2D250 115 V/60 Hz (1PH/N/GRD) 175W 1,55 A	895260.00010 W2D250 115 V/60 Hz (1PH/N/GRD) 175W 1,55 A	895260.00010 W2D250 115 V/60 Hz (1PH/N/GRD) 175W 1,55 A	895260.00010 W2D250 115 V/60 Hz (1PH/N/GRD) 175W 1,55 A	895260.00010 W2D250 115 V/60 Hz (1PH/N/GRD) 175W 1,55 A	
contactor -Q1 / -Q2	7.8740.00400 3RT2035-1AK60	7.8740.00400 3RT2035-1AK60	7.8740.00420 3RT2037-1AK60	7.8740.00430 3RT2038-1AK60	7.8740.00430 3RT2038-1AK60	
auxiliary switch	
auxiliary switch	
interference suppressor	7.8740.05150 3RT2936-1CC00	7.8740.05150 3RT2936-1CC00	7.8740.05150 3RT2936-1CC00	7.8740.05150 3RT2936-1CC00	7.8740.05150 3RT2936-1CC00	
terminal	7.3140.05070 3RV2935-5E	7.3140.05070 3RV2935-5E	7.3140.05070 3RV2935-5E	7.3140.05070 3RV2935-5E	7.3140.05070 3RV2935-5E	
Phase rail	7.3140.05270 3RA2933-3FA00	7.3140.05270 3RA2933-3FA00	7.3140.05270 3RA2933-3FA00	7.3140.05270 3RA2933-3FA00	7.3140.05270 3RA2933-3FA00	
contactor -Q3	7.8740.00400 3RT2035-1AK60	7.8740.00400 3RT2035-1AK60	7.8740.00400 3RT2035-1AK60	7.8740.00400 3RT2035-1AK60	7.8740.00400 3RT2035-1AK60	
auxiliary switch	
auxiliary switch	
interference suppressor	7.8740.05150 3RT2936-1CC00	7.8740.05140 3RT2936-1CC00	7.8740.05150 3RT2936-1CC00	7.8740.05150 3RT2936-1CC00	7.8740.05150 3RT2936-1CC00	
wye bridge	7.3140.01170 3RT1936-4BA31	7.3140.02070 3RT1936-4BA31	7.3140.01170 3RT1936-4BA31	7.3140.01170 3RT1936-4BA31	7.3140.01170 3RT1936-4BA31	
motor cable -W19.1/19.2	4x8 AWG / 4G10 mm ² 600 V - 90°C	4x6 AWG / 4G16 mm ² 600 V - 90°C	4x6 AWG / 4G16 mm ² 600 V - 90°C	4x4 AWG / 4G25 mm ² 600 V - 90°C	4x4 AWG / 4G25 mm ² 600 V - 90°C	
connection -W11 Phase rail -W13 Phase rail -W14 Phase rail	4 AWG / 25 mm ² 600 V - 90°C	4 AWG / 25 mm ² 600 V - 90°C	2 AWG / 35 mm ² 600 V - 90°C	1 AWG / 50 mm ² 600 V - 90°C	1 AWG / 50 mm ² 600 V - 90°C	
supply terminals -X0: U1/V1/W1/GRD	3x 895314.0 3x 895314.00010 4x 895314.00040 8-1 AWG / 10-50 mm ² Wago fig. 3, Sht. 11 30 mm	3x 895314.0 3x 895314.00010 4x 895314.00040 8-1 AWG / 10-50 mm ² Wago fig. 3, Sht. 11 30 mm	3x 895314.0 3x 895314.00010 4x 895314.00040 8-1 AWG / 10-50 mm ² Wago fig. 3, Sht. 11 30 mm	3x 894385.0 3x 894385.00010 4x 894385.00040 4-4/0 AWG / 25-95 mm ² Wago fig. 3, Sht. 11 36 mm	3x 894385.0 3x 894385.00010 4x 894385.00040 4-4/0 AWG / 25-95 mm ² Wago fig. 3, Sht. 11 36 mm	
supply Handling Stripped length X connection	fig. 2, Sht. 12	fig. 2, Sht. 12	fig. 2, Sht. 12	fig. 2, Sht. 12	fig. 2, Sht. 12	

electrical component parts list
208V BB+CB+DB
performance-related components



c	Date	14.12.2020
b	Drawn	M.Zeesh
a	Released	M.Zeesh
	C Change	
	Name	
	Date	

model	performance-related components			page 28 Sht
	25 hp EB (18,5 kW)	30 hp EB (22 kW)	40 hp EB (30 kW)	
machine power supply	208 V ±10 %, 60 Hz	208 V ±10 %, 60 Hz	208 V ±10 %, 60 Hz	= + UXB-STC-U3020.06
overload relay -B21 Siemens	7.8741.00090 3RB3036-1UB0 12,5-50 A / S2 setting: 31,9 A NEC 430.32(C) incremental setting: 36,0 A	7.8741.00100 3RB3036-1WB0 20-80 A / S2 setting: 38,2 A NEC 430.32(C) incremental setting: 43,2 A	7.8741.00100 3RB3036-1WB0 20-80 A / S2 setting: 54,2 A NEC 430.32(C) incremental setting: 61,2 A	
overload relay soundproofing casing -B24 Siemens	7.8741.00020 3RB3016-1NB0 0,32-1,25 A / S00 setting: 0,98 A NEC 430.32(C) incremental setting: 1,10 A	7.8741.00020 3RB3016-1NB0 0,32-1,25 A / S00 setting: 0,98 A NEC 430.32(C) incremental setting: 1,10 A	7.8741.00020 3RB3016-1NB0 0,32-1,25 A / S00 setting: 0,98 A NEC 430.32(C) incremental setting: 1,10 A	electrical component parts list 208V EB performance-related components
Blower motor -M1 Siemens	894994.0 208V-DD/60 Hz	894995.0 208V-DD/60 Hz	894997.1 208V-DD/60 Hz	
vent motor soundproofing casing -M4 Sodeca	895040.00020 HC-31-2T / H-I-E 208 V-D/60 Hz (3PH/GRD) 180W 1,06 A	895040.00020 HC-31-2T / H-I-E 208 V-D/60 Hz (3PH/GRD) 180W 1,06 A	895040.00020 HC-31-2T / H-I-E 208 V-D/60 Hz (3PH/GRD) 180W 1,06 A	
contactor -Q1 / -Q2	7.8740.00400 3RT2035-1AK60	7.8740.00420 3RT2037-1AK60	7.8740.00430 3RT2038-1AK60	KAESER KOMPRESSOREN
auxiliary switch	7.8740.05030 3RH2911-1HA20	7.8740.05030 3RH2911-1HA20	7.8740.05030 3RH2911-1HA20	
auxiliary switch				
interference suppressor	7.8740.05150 3RT2936-1CC00	7.8740.05150 3RT2936-1CC00	7.8740.05150 3RT2936-1CC00	
terminal	7.3140.05070 3RV2935-5E	7.3140.05070 3RV2935-5E	7.3140.05070 3RV2935-5E	
Phase rail	7.3140.05270 3RA2933-3FA00	7.3140.05270 3RA2933-3FA00	7.3140.05270 3RA2933-3FA00	
contactor -Q3	7.8740.00400 3RT2035-1AK60	7.8740.00400 3RT2035-1AK60	7.8740.00400 3RT2035-1AK60	
auxiliary switch				
auxiliary switch				
interference suppressor	7.8740.05150 3RT2936-1CC00	7.8740.05150 3RT2936-1CC00	7.8740.05150 3RT2936-1CC00	
wye bridge	7.3140.01170 3RT1936-4BA31	7.3140.01170 3RT1936-4BA31	7.3140.01170 3RT1936-4BA31	
motor cable -W19.1/19.2	4x6 AWG / 4G16 mm ² 600 V - 90°C	4x6 AWG / 4G16 mm ² 600 V - 90°C	4x4 AWG / 4G25 mm ² 600 V - 90°C	Date 14.12.2020
connection -W11 Phase rail -W13 Phase rail -W14 Phase rail	4 AWG / 25 mm ² 600 V - 90°C	2 AWG / 35 mm ² 600 V - 90°C	1 AWG / 50 mm ² 600 V - 90°C	
supply terminals -X0: U1/V1/W1/GRD	3x 895314.0 3x 895314.00010 4x 895314.00040 8-1 AWG / 10-50 mm ² Wago Handling fig. 3, Sht. 11 Stripped length X 30 mm	3x 895314.0 3x 895314.00010 4x 895314.00040 8-1 AWG / 10-50 mm ² Wago fig. 3, Sht. 11 30 mm	3x 894385.0 3x 894385.00010 4x 894385.00040 4-4/0 AWG / 25-95 mm ² Wago fig. 3, Sht. 11 36 mm	
supply connection	fig. 2, Sht. 12	fig. 2, Sht. 12	fig. 2, Sht. 12	Date Released
				Name
				Date
				C Change

model	performance-related components				page 10 28 Sht
	5 hp BB (4 kW)	7,5 hp BB+ CB+DB (5,5 kW)	10 hp BB+ CB+DB (7,5 kW)	15 hp BB+ CB+DB (11 kW)	
machine power supply	230 V ±10 %, 60 Hz	230 V ±10 %, 60 Hz	230 V ±10 %, 60 Hz	230 V ±10 %, 60 Hz	= + UXB-STC-U3020.06
overload relay -B21 Siemens	7.8741.00070 3RB3026-1QB0 6-25 A / S0 setting: 6,9 A NEC 430.32(C) incremental setting: 7,7 A	7.8741.00070 3RB3026-1QB0 6-25 A / S0 setting: 9,9 A NEC 430.32(C) incremental setting: 11,1 A	7.8741.00070 3RB3026-1QB0 6-25 A / S0 setting: 13,2 A NEC 430.32(C) incremental setting: 14,8 A	7.8741.00080 3RB3026-1VB0 10-40 A / S0 setting: 20,3 A NEC 430.32(C) incremental setting: 22,8 A	
overload relay soundproofing casing -B24 Siemens	7.8741.00030 3RB3016-1PB0 1,00-4,00 A / S00 setting: 1,43 A NEC 430.32(C) incremental setting: 1,61 A	7.8741.00030 3RB3016-1PB0 1,00-4,00 A / S00 setting: 1,43 A NEC 430.32(C) incremental setting: 1,61 A	7.8741.00030 3RB3016-1PB0 1,00-4,00 A / S00 setting: 1,43 A NEC 430.32(C) incremental setting: 1,61 A	7.8741.00030 3RB3016-1PB0 1,00-4,00 A / S00 setting: 1,43 A NEC 430.32(C) incremental setting: 1,61 A	
Blower motor -M1 Siemens	894989.0 230V-DD/60 Hz	894990.0 230V-DD/60 Hz	894991.0 230V-DD/60 Hz	894992.0 230V-DD/60 Hz	
vent motor soundproofing casing -M4 ebm	895260.00010 W2D250 115 V/60 Hz (1PH/N/GRD) 175W 1,55 A	895260.00010 W2D250 115 V/60 Hz (1PH/N/GRD) 175W 1,55 A	895260.00010 W2D250 115 V/60 Hz (1PH/N/GRD) 175W 1,55 A	895260.00010 W2D250 115 V/60 Hz (1PH/N/GRD) 175W 1,55 A	
contactor -Q1 / -Q2	7.8740.00350 3RT2024-1AK60	7.8740.00370 3RT2026-1AK60	7.8740.00370 3RT2026-1AK60	7.8740.00390 3RT2028-1AK60	electrical component parts list 230V BB+CB+DB performance-related components
auxiliary switch auxiliary switch interference suppressor terminal Phase rail Siemens	7.8740.05140 3RT2926-1CC00 7.3140.05080 3RV2925-5EB 7.6861.0 3RV1915-1AB	7.8740.05140 3RT2926-1CC00 7.3140.05080 3RV2925-5EB 7.6861.0 3RV1915-1AB	7.8740.05140 3RT2926-1CC00 7.3140.05080 3RV2925-5EB 7.6861.0 3RV1915-1AB	7.8740.05140 3RT2926-1CC00 7.3140.05080 3RV2925-5EB 7.6861.0 3RV1915-1AB	
contactor -Q3	7.8740.00310 3RT2016-1AK61	7.8740.00310 3RT2016-1AK61	7.8740.00330 3RT2018-1AK61	7.8740.00380 3RT2027-1AK60	
auxiliary switch auxiliary switch interference suppressor we bridge Siemens	7.8740.05010 3RH2911-1HA11 7.8740.05130 3RT2916-1CC00 7.3140.05030 3RT1916-4BA31	7.8740.05010 3RH2911-1HA11 7.8740.05130 3RT2916-1CC00 7.3140.05030 3RT1916-4BA31	7.8740.05010 3RH2911-1HA11 7.8740.05130 3RT2916-1CC00 7.3140.05030 3RT1916-4BA31	7.8740.05140 3RT2926-1CC00 7.3140.02070 3RT1926-4BA31	
motor cable -W19.1/19.2	4x14 AWG / 4G2,5 mm ² 600 V - 90°C	4x14 AWG / 4G2,5 mm ² 600 V - 90°C	4x12 AWG / 4G4 mm ² 600 V - 90°C	4x10 AWG / 4G6 mm ² 600 V - 90°C	
connection -W11 -W13 -W14	10 AWG / 6 mm ² Phase rail 14 AWG / 2,5 mm ² 600 V - 90°C	10 AWG / 6 mm ² Phase rail 14 AWG / 2,5 mm ² 600 V - 90°C	8 AWG / 10 mm ² Phase rail 14 AWG / 2,5 mm ² 600 V - 90°C	8 AWG / 10 mm ² Phase rail Phase rail 14 AWG / 2,5 mm ² 600 V - 90°C	
supply terminals -X0: U1/N1/W1/GRD	894864.00010 14-4 AWG / 2,5-16 mm ² Wieland fig. 2, Sht. 11 16 mm fig. 1, Sht. 12	894864.00010 14-4 AWG / 2,5-16 mm ² Wieland fig. 2, Sht. 11 16 mm fig. 1, Sht. 12	894864.00010 14-4 AWG / 2,5-16 mm ² Wieland fig. 2, Sht. 11 16 mm fig. 1, Sht. 12	894864.00010 14-4 AWG / 2,5-16 mm ² Wieland fig. 2, Sht. 11 16 mm fig. 1, Sht. 12	
supply Handling Stripped length X connection					Date 14.12.2020 Drawn M.Zeesh Released M.Zeesh Name Date C Change

model	performance-related components					page 11 28 Sht
	20 hp BB+ CB+DB (15 kW)	25 hp CB+ DB (18,5 kW)	30 hp CB+ DB (22 kW)	40 hp CB (30 kW)	40 hp DB (30 kW)	
machine power supply	230 V ±10 %, 60 Hz	230 V ±10 %, 60 Hz	230 V ±10 %, 60 Hz	230 V ±10 %, 60 Hz	230 V ±10 %, 60 Hz	= + UXB-STC-U3020.06
overload relay -B21 Siemens	7.8741.00090 3RB3036-1UB0 12,5-50 A / S2 setting: 27,7 A NEC 430.32(C) incremental setting: 31 A	7.8741.00090 3RB3036-1UB0 12,5-50 A / S2 setting: 32,4 A NEC 430.32(C) incremental setting: 36,3 A	7.8741.00100 3RB3036-1WB0 20-80 A / S2 setting: 38,1 A NEC 430.32(C) incremental setting: 42,7 A	7.8741.00140 3RB3046-1EB0 32-115 A / S3 setting: 54,3 A NEC 430.32(C) incremental setting: 60,8 A	7.8741.00140 3RB3046-1EB0 32-115 A / S3 setting: 54,3 A NEC 430.32(C) incremental setting: 60,8 A	
overload relay soundproofing casing -B24 Siemens	7.8741.00030 3RB3016-1PB0 1,00-4,00 A / S00 setting: 1,43 A NEC 430.32(C) incremental setting: 1,61 A	7.8741.00030 3RB3016-1PB0 1,00-4,00 A / S00 setting: 1,43 A NEC 430.32(C) incremental setting: 1,61 A	7.8741.00030 3RB3016-1PB0 1,00-4,00 A / S00 setting: 1,43 A NEC 430.32(C) incremental setting: 1,61 A	7.8741.00030 3RB3016-1PB0 1,00-4,00 A / S00 setting: 1,43 A NEC 430.32(C) incremental setting: 1,61 A	7.8741.00030 3RB3016-1PB0 1,00-4,00 A / S00 setting: 1,43 A NEC 430.32(C) incremental setting: 1,61 A	
Blower motor -M1 Siemens	895049.0 230V-DD/60 Hz	894994.0 230V-DD/60 Hz	894995.0 230V-DD/60 Hz	894996.1 (CB) 230V-DD/60 Hz	894997.1 (DB) 230V-DD/60 Hz	electrical component parts list 230V BB+CB+DB performance-related components
vent motor soundproofing casing -M4 ebm	895260.00010 W2D250 115 V/60 Hz (1PH/N/GRD) 175W 1,55 A	895260.00010 W2D250 115 V/60 Hz (1PH/N/GRD) 175W 1,55 A	895260.00010 W2D250 115 V/60 Hz (1PH/N/GRD) 175W 1,55 A	895260.00010 W2D250 115 V/60 Hz (1PH/N/GRD) 175W 1,55 A	895260.00010 W2D250 115 V/60 Hz (1PH/N/GRD) 175W 1,55 A	
contactor -Q1 / -Q2	7.8740.00410 3RT2036-1AK60	7.8740.00400 3RT2035-1AK60	7.8740.00430 3RT2038-1AK60	7.8740.00440 3RT2045-1AK60	7.8740.00440 3RT2045-1AK60	KAESER KOMPRESSOREN
auxiliary switch						
auxiliary switch						
interference suppressor	7.8740.05150 3RT2936-1CC00	7.8740.05150 3RT2936-1CC00	7.8740.05150 3RT2936-1CC00	7.8740.05170 3RT2946-1CC00	7.8740.05170 3RT2946-1CC00	
terminal	7.3140.05070 3RV2935-5E	7.3140.05070 3RV2935-5E	7.3140.05070 3RV2935-5E	3x 7.3140.02100 3x 3RA1943-3L	3x 7.3140.02100 3x 3RA1943-3L	
Phase rail	7.3140.05270 3RA2933-3FA00	7.3140.05270 3RA2933-3FA00	7.3140.05270 3RA2933-3FA00	7.3140.05370 3RA2943-3FA00	7.3140.05370 3RA2943-3FA00	
contactor -Q3	7.8740.00400 3RT2035-1AK60	7.8740.00400 3RT2035-1AK60	7.8740.00400 3RT2035-1AK60	7.8740.00400 3RT2035-1AK60	7.8740.00400 3RT2035-1AK60	
auxiliary switch						
auxiliary switch						
interference suppressor	7.8740.05150 3RT2936-1CC00	7.8740.05150 3RT2936-1CC00	7.8740.05150 3RT2936-1CC00	7.8740.05150 3RT2936-1CC00	7.8740.05150 3RT2936-1CC00	
wye bridge	7.3140.01170 3RT1936-4BA31	7.3140.01170 3RT1936-4BA31	7.3140.01170 3RT1936-4BA31	7.3140.01170 3RT1936-4BA31	7.3140.01170 3RT1936-4BA31	
motor cable -W19.1/19.2	4x8 AWG / 4G10 mm ² 600 V - 90°C	4x6 AWG / 4G16 mm ² 600 V - 90°C	4x6 AWG / 4G16 mm ² 600 V - 90°C	4x4 AWG / 4G25 mm ² 600 V - 90°C	4x4 AWG / 4G25 mm ² 600 V - 90°C	
connection -W11 -W13 -W14	6 AWG / 16 mm ² Phase rail Phase rail 600 V - 90°C	4 AWG / 25 mm ² Phase rail Phase rail 600 V - 90°C	2 AWG / 35 mm ² Phase rail Phase rail 600 V - 90°C	1 AWG / 50 mm ² 4 AWG / 25 mm ² 8 AWG / 10 mm ² 600 V - 90°C	1 AWG / 50 mm ² 4 AWG / 25 mm ² 8 AWG / 10 mm ² 600 V - 90°C	
supply terminals -X0: U1/V1/W1/GRD	3x 895314.0 3x 895314.00010 4x 895314.00040 8-1 AWG / 10-50 mm ² Wago fig. 3, Sht. 11 30 mm	3x 895314.0 3x 895314.00010 4x 895314.00040 8-1 AWG / 10-50 mm ² Wago fig. 3, Sht. 11 30 mm	3x 895314.0 3x 895314.00010 4x 895314.00040 8-1 AWG / 10-50 mm ² Wago fig. 3, Sht. 11 30 mm	3x 894385.0 3x 894385.00010 4x 894385.00040 4-4/0 AWG / 25-95 mm ² Wago fig. 3, Sht. 11 36 mm	3x 894385.0 3x 894385.00010 4x 894385.00040 4-4/0 AWG / 25-95 mm ² Wago fig. 3, Sht. 11 36 mm	
supply connection	fig. 2, Sht. 12	fig. 2, Sht. 12	fig. 2, Sht. 12	fig. 2, Sht. 12	fig. 2, Sht. 12	
						Date 14.12.2020
						Drawn M.Zeesh
						Released M.Zeesh
						C Change
						Name
						Date

model	performance-related components			page 12 28 Sht
	25 hp EB (18,5 kW)	30 hp EB (22 kW)	40 hp EB (30 kW)	
machine power supply	230 V ±10 %, 60 Hz	230 V ±10 %, 60 Hz	230 V ±10 %, 60 Hz	= + UXB-STC-U3020.06 electrical component parts list 230V EB performance-related components KAESER KOMPRESSOREN Date 14.12.2020 Drawn M.Zeeh Released M.Zeeh Name Date C Change
overload relay -B21 Siemens	7.8741.00090 3RB3036-1UB0 12,5-50 A / S2 setting: 32,4 A NEC 430.32(C) incremental setting: 36,3 A	7.8741.00100 3RB3036-1WB0 20-80 A / S2 setting: 38,1 A NEC 430.32(C) incremental setting: 42,7 A	7.8741.00140 3RB3046-1EB0 32-115 A / S3 setting: 54,3 A NEC 430.32(C) incremental setting: 60,8 A	
overload relay soundproofing casing -B24 Siemens	7.8741.00030 3RB3016-1PB0 1,00-4,00 A / S00 setting: 1,01 A NEC 430.32(C) incremental setting: 1,14 A	7.8741.00030 3RB3016-1PB0 1,00-4,00 A / S00 setting: 1,01 A NEC 430.32(C) incremental setting: 1,14 A	7.8741.00030 3RB3016-1PB0 1,00-4,00 A / S00 setting: 1,01 A NEC 430.32(C) incremental setting: 1,14 A	
Blower motor -M1 Siemens	894994.0 230V-DD/60 Hz	894995.0 230V-DD/60 Hz	894997.1 230V-DD/60 Hz	
vent motor soundproofing casing -M4 Sodeca	895040.00040 HC-31-2T / H-I-E 230 V-D/60 Hz (3PH/GRD) 210W 1,10 A	895040.00040 HC-31-2T / H-I-E 230 V-D/60 Hz (3PH/GRD) 210W 1,10 A	895040.00040 HC-31-2T / H-I-E 230 V-D/60 Hz (3PH/GRD) 210W 1,10 A	
contactor -Q1 / -Q2	7.8740.00400 3RT2035-1AK60	7.8740.00430 3RT2038-1AK60	7.8740.00440 3RT2045-1AK60	
auxiliary switch	7.8740.05030 3RH2911-1HA20	7.8740.05030 3RH2911-1HA20		
auxiliary switch				
interference suppressor	7.8740.05150 3RT2936-1CC00	7.8740.05150 3RT2936-1CC00	7.8740.05170 3RT2946-1CC00	
terminal	7.3140.05070 3RV2935-5E	7.3140.05070 3RV2935-5E	3x 7.3140.02100 3x 3RA1943-3L	
Phase rail	7.3140.05270 3RA2933-3FA00	7.3140.05270 3RA2933-3FA00	7.3140.05370 3RA2943-3FA00	
contactor -Q3	7.8740.00400 3RT2035-1AK60	7.8740.00400 3RT2035-1AK60	7.8740.00410 3RT2036-1AK60	
auxiliary switch				
auxiliary switch				
interference suppressor	7.8740.05150 3RT2936-1CC00	7.8740.05150 3RT2936-1CC00	7.8740.05150 3RT2936-1CC00	
wye bridge	7.3140.01170 3RT1936-4BA31	7.3140.01170 3RT1936-4BA31	7.3140.01170 3RT1936-4BA31	
motor cable -W19.1/19.2	4x6 AWG / 4G16 mm ² 600 V - 90°C	4x6 AWG / 4G16 mm ² 600 V - 90°C	4x4 AWG / 4G25 mm ² 600 V - 90°C	
connection -W11 Phase rail -W13 Phase rail -W14 Phase rail 600 V - 90°C	4 AWG / 25 mm ² 600 V - 90°C	2 AWG / 35 mm ² 600 V - 90°C	1 AWG / 50 mm ² 4 AWG / 25 mm ² 8 AWG / 10 mm ² 600 V - 90°C	
supply terminals -X0: U1/V1/W1/GRD Handling Stripped length X connection	3x 895314.0 3x 895314.00010 4x 895314.00040 8-1 AWG / 10-50 mm ² Wago fig. 3, Sht. 11 30 mm fig. 2, Sht. 12	3x 895314.0 3x 895314.00010 4x 895314.00040 8-1 AWG / 10-50 mm ² Wago fig. 3, Sht. 11 30 mm fig. 2, Sht. 12	3x 894385.0 3x 894385.00010 4x 894385.00040 4-4/0 AWG / 25-95 mm ² Wago fig. 3, Sht. 11 36 mm fig. 2, Sht. 12	
supply				

model	performance-related components					page 13 28 Sht
	5 hp BB (4 kW)	7,5 hp BB+ CB+DB (5,5 kW)	10 hp BB+ CB+DB (7,5 kW)	15 hp BB+ CB+DB (11 kW)	20 hp BB+ CB+DB (15 kW)	
machine power supply	460 V ±10 %, 60 Hz	460 V ±10 %, 60 Hz	460 V ±10 %, 60 Hz	460 V ±10 %, 60 Hz	460 V ±10 %, 60 Hz	UXB-STC-U3020.06
overload relay -B21 Siemens	7.8741.00060 3RB3026-1SB0 3-12 A / S0 setting: 3,4 A NEC 430.32(C) incremental setting: 3,8 A	7.8741.00060 3RB3026-1SB0 3-12 A / S0 setting: 5 A NEC 430.32(C) incremental setting: 5,6 A	7.8741.00060 3RB3026-1SB0 3-12 A / S0 setting: 6,6 A NEC 430.32(C) incremental setting: 7,4 A	7.8741.00070 3RB3026-1QB0 6-25 A / S0 setting: 10,2 A NEC 430.32(C) incremental setting: 11,4 A	7.8741.00070 3RB3026-1QB0 6-25 A / S0 setting: 13,9 A NEC 430.32(C) incremental setting: 15,5 A	
overload relay soundproofing casing -B24 Siemens	7.8741.00030 3RB3016-1PB0 1,00-4,00 A / S00 setting: 1,43 A NEC 430.32(C) incremental setting: 1,61 A	7.8741.00030 3RB3016-1PB0 1,00-4,00 A / S00 setting: 1,43 A NEC 430.32(C) incremental setting: 1,61 A	7.8741.00030 3RB3016-1PB0 1,00-4,00 A / S00 setting: 1,43 A NEC 430.32(C) incremental setting: 1,61 A	7.8741.00030 3RB3016-1PB0 1,00-4,00 A / S00 setting: 1,43 A NEC 430.32(C) incremental setting: 1,61 A	7.8741.00030 3RB3016-1PB0 1,00-4,00 A / S00 setting: 1,43 A NEC 430.32(C) incremental setting: 1,61 A	
Blower motor -M1 Siemens	894989.0 460V-D/60 Hz	894990.0 460V-D/60 Hz	894991.0 460V-D/60 Hz	894992.0 460V-D/60 Hz	895049.0 460V-D/60 Hz	
vent motor soundproofing casing -M4 ebm	895260.00010 W2D250 (1PH/N/GRD) 115 V/60 Hz, 175W 1,55 A	895260.00010 W2D250 (1PH/N/GRD) 115 V/60 Hz, 175W 1,55 A	895260.00010 W2D250 (1PH/N/GRD) 115 V/60 Hz, 175W 1,55 A	895260.00010 W2D250 (1PH/N/GRD) 115 V/60 Hz, 175W 1,55 A	895260.00010 W2D250 (1PH/N/GRD) 115 V/60 Hz, 175W 1,55 A	
contactor -Q1 / -Q2	7.8740.00340 3RT2023-1AK60	7.8740.00340 3RT2023-1AK60	7.8740.00350 3RT2024-1AK60	7.8740.00370 3RT2026-1AK60	7.8740.00390 3RT2028-1AK60	
auxiliary switch	
auxiliary switch	
interference suppressor	7.8740.05140 3RT2926-1CC00	7.8740.05140 3RT2926-1CC00	7.8740.05140 3RT2926-1CC00	7.8740.05140 3RT2926-1CC00	7.8740.05140 3RT2926-1CC00	
terminal	7.3140.05080 3RV2925-5EB	7.3140.05080 3RV2925-5EB	7.3140.05080 3RV2925-5EB	7.3140.05080 3RV2925-5EB	7.3140.05080 3RV2925-5EB	
Phase rail	7.6861.0 3RV1915-1AB	7.6861.0 3RV1915-1AB	7.6861.0 3RV1915-1AB	7.6861.0 3RV1915-1AB	7.6861.0 3RV1915-1AB	
contactor -Q3	7.8740.00310 3RT2016-1AK61	7.8740.00310 3RT2016-1AK61	7.8740.00310 3RT2016-1AK61	7.8740.00330 3RT2018-1AK61	7.8740.00370 3RT2026-1AK60	
auxiliary switch	7.8740.05010	7.8740.05010	7.8740.05010	7.8740.05010		
auxiliary switch	3RH2911-1HA11	3RH2911-1HA11	3RH2911-1HA11	3RH2911-1HA11		
interference suppressor	7.8740.05130 3RT2916-1CC00	7.8740.05130 3RT2916-1CC00	7.8740.05130 3RT2916-1CC00	7.8740.05130 3RT2916-1CC00	7.8740.05140 3RT2926-1CC00	
wye bridge	7.3140.05030 3RT1916-4BA31	7.3140.05030 3RT1916-4BA31	7.3140.05030 3RT1916-4BA31	7.3140.05030 3RT1916-4BA31	7.3140.02070 3RT1926-4BA31	
motor cable -W19.1/19.2	4x14 AWG / 4G2,5 mm ² 600 V - 90°C	4x14 AWG / 4G2,5 mm ² 600 V - 90°C	4x14 AWG / 4G2,5 mm ² 600 V - 90°C	4x12 AWG / 4G4 mm ² 600 V - 90°C	4x10 AWG / 4G6 mm ² 600 V - 90°C	
connection -W11 -W13 -W14	14 AWG / 2,5 mm ² Phase rail 14 AWG / 2,5 mm ² 600 V - 90°C	14 AWG / 2,5 mm ² Phase rail 14 AWG / 2,5 mm ² 600 V - 90°C	14 AWG / 2,5 mm ² Phase rail 14 AWG / 2,5 mm ² 600 V - 90°C	10 AWG / 6 mm ² Phase rail 14 AWG / 2,5 mm ² 600 V - 90°C	8 AWG / 10 mm ² Phase rail Phase rail 600 V - 90°C	
supply terminals -X0: U1/V1/W1/GRD	894864.00010 14-4 AWG / 2,5-16 mm ² Wieland fig. 2, Sht. 11 16 mm Stripped length X connection fig. 1, Sht. 12	894864.00010 14-4 AWG / 2,5-16 mm ² Wieland fig. 2, Sht. 11 16 mm fig. 1, Sht. 12	894864.00010 14-4 AWG / 2,5-16 mm ² Wieland fig. 2, Sht. 11 16 mm fig. 1, Sht. 12	894864.00010 14-4 AWG / 2,5-16 mm ² Wieland fig. 2, Sht. 11 16 mm fig. 1, Sht. 12	894864.00010 14-4 AWG / 2,5-16 mm ² Wieland fig. 2, Sht. 11 16 mm fig. 1, Sht. 12	
supply						

electrical component parts list
460V BB+CB+DB
performance-related components

KAESER
KOMPRESSOREN

Date	14.12.2020
Drawn	M.Zeesh
Released	M.Zeesh
C Change	
Name	
Date	

model	performance-related components					page 14 28 Sht
	25 hp CB+ DB (18,5 kW)	30 hp CB+ DB (22 kW)	40 hp CB+ DB (30 kW)	50 hp DB (37 kW)	60 hp DB (45 kW)	
machine power supply	460 V ±10 %, 60 Hz	460 V ±10 %, 60 Hz	460 V ±10 %, 60 Hz	460 V ±10 %, 60 Hz	460 V ±10 %, 60 Hz	= + UXB-STC-U3020.06
overload relay -B21 Siemens	7.8741.00080 3RB3026-1UB0 10-40 A / S0 setting: 16,2 A NEC 430.32(C) incremental setting: 18,2 A	7.8741.00090 3RB3036-1UB0 12,5-50 A / S2 setting: 19,1 A NEC 430.32(C) incremental setting: 21,3 A	7.8741.00090 3RB3036-1UB0 12,5-50 A / S2 setting: 27,1 A NEC 430.32(C) incremental setting: 30,4 A	7.8741.00090 3RB3036-1UB0 12,5-50 A / S2 setting: 32,9 A NEC 430.32(C) incremental setting: 36,9 A	7.8741.00100 3RB3036-1UB0 20-80 A / S2 setting: 40,4 A NEC 430.32(C) incremental setting: 45,3 A	
overload relay soundproofing casing -B24 Siemens	7.8741.00030 3RB3016-1PB0 1,00-4,00 A / S00 setting: 1,43 A NEC 430.32(C) incremental setting: 1,61 A	7.8741.00030 3RB3016-1PB0 1,00-4,00 A / S00 setting: 1,43 A NEC 430.32(C) incremental setting: 1,61 A	7.8741.00030 3RB3016-1PB0 1,00-4,00 A / S00 setting: 1,43 A NEC 430.32(C) incremental setting: 1,61 A	7.8741.00030 3RB3016-1PB0 1,00-4,00 A / S00 setting: 1,43 A NEC 430.32(C) incremental setting: 1,61 A	7.8741.00030 3RB3016-1PB0 1,00-4,00 A / S00 setting: 1,43 A NEC 430.32(C) incremental setting: 1,61 A	
Blower motor -M1 Siemens	894994.0 460 V-D/60 Hz	894995.0 460 V-D/60 Hz	894996.1 (CB) 894997.1 (DB) 460 V-D/60 Hz	894978.1 460 V-D/60 Hz	894979.1 460 V-D/60 Hz	electrical component parts list 460V CB+DB performance-related components
vent motor soundproofing casing -M4 ebm	895260.00010 W2D250 (1PH/N/GRD) 115 V/60 Hz, 175W 1,55 A	895260.00010 W2D250 (1PH/N/GRD) 115 V/60 Hz, 175W 1,55 A	895260.00010 W2D250 (1PH/N/GRD) 115 V/60 Hz, 175W 1,55 A	895260.00010 W2D250 (1PH/N/GRD) 115 V/60 Hz, 175W 1,55 A	895260.00010 W2D250 (1PH/N/GRD) 115 V/60 Hz, 175W 1,55 A	
contactor -Q1 / -Q2	7.8740.00380 3RT2027-1AK60	7.8740.00400 3RT2035-1AK60	7.8740.00400 3RT2035-1AK60	7.8740.00410 3RT2036-1AK60	7.8740.00430 3RT2038-1AK60	KAESER KOMPRESSOREN
auxiliary switch	
auxiliary switch	
interference suppressor	7.8740.05140 3RT2926-1CC00	7.8740.05150 3RT2936-1CC00	7.8740.05150 3RT2936-1CC00	7.8740.05150 3RT2936-1CC00	7.8740.05150 3RT2936-1CC00	
terminal	7.3140.05080 3RV2925-5EB	7.3140.05070 3RV2935-5E	7.3140.05070 3RV2935-5E	7.3140.05070 3RV2935-5E	7.3140.05070 3RV2935-5E	
Phase rail	7.6861.0 3RV1915-1AB	7.3140.05270 3RA2933-3FA00	7.3140.05270 3RA2933-3FA00	7.3140.05270 3RA2933-3FA00	7.3140.05270 3RA2933-3FA00	
contactor -Q3	7.8740.00370 3RT2026-1AK60	7.8740.00370 3RT2026-1AK60	7.8740.00380 3RT2027-1AK60	7.8740.00400 3RT2035-1AK60	7.8740.00400 3RT2035-1AK60	
auxiliary switch	
auxiliary switch	
interference suppressor	7.8740.05140 3RT2926-1CC00	7.8740.05140 3RT2926-1CC00	7.8740.05140 3RT2926-1CC00	7.8740.05150 3RT2936-1CC00	7.8740.05150 3RT2936-1CC00	
wye bridge	7.3140.02070 3RT1926-4BA31	7.3140.02070 3RT1926-4BA31	7.3140.02070 3RT1926-4BA31	7.3140.01170 3RT1936-4BA31	7.3140.01170 3RT1936-4BA31	
motor cable -W19.1/19.2	4x10 AWG / 4G6 mm ² 600 V - 90°C	4x10 AWG / 4G6 mm ² 600 V - 90°C	4x8 AWG / 4G10 mm ² 600 V - 90°C	4x6 AWG / 4G16 mm ² 600 V - 90°C	4x6 AWG / 4G16 mm ² 600 V - 90°C	
connection -W11 -W13 -W14	8 AWG / 10 mm ² Phase rail Phase rail 14 AWG / 2,5 mm ² 600 V - 90°C	8 AWG / 10 mm ² Phase rail Phase rail 14 AWG / 2,5 mm ² 600 V - 90°C	6 AWG / 16 mm ² Phase rail Phase rail 10 AWG / 6 mm ² 600 V - 90°C	4 AWG / 25 mm ² Phase rail Phase rail Phase rail 600 V - 90°C	2 AWG / 35 mm ² Phase rail Phase rail Phase rail 600 V - 90°C	
supply terminals -X0: U1/V1/W1/GRD	894864.00010 14-4 AWG / 2,5-16 mm ² Wieland fig. 2, Sht. 11 16 mm	894864.00010 14-4 AWG / 2,5-16 mm ² Wieland fig. 2, Sht. 11 16 mm	3x 895314.0 3x 895314.00010 4x 895314.00040 8-1 AWG / 10-50 mm ² Wago fig. 3, Sht. 11 30 mm	3x 895314.0 3x 895314.00010 4x 895314.00040 8-1 AWG / 10-50 mm ² Wago fig. 3, Sht. 11 30 mm	3x 895314.0 3x 895314.00010 4x 895314.00040 8-1 AWG / 10-50 mm ² Wago fig. 3, Sht. 11 30 mm	Date 14.12.2020 Drawn M.Zeesh Released M.Zeesh
supply Stripped length X connection	fig. 1, Sht. 12	fig. 1, Sht. 12	fig. 2, Sht. 12	fig. 2, Sht. 12	fig. 2, Sht. 12	Name Date C Change

model	performance-related components				page 15 28 Sht
	25 hp EB (18,5 kW)	30 hp EB (22 kW)	40 hp EB+ FB-C (30 kW)	40 hp FB-S (30 kW)	
machine power supply	460 V ±10 %, 60 Hz	460 V ±10 %, 60 Hz	460 V ±10 %, 60 Hz	460 V ±10 %, 60 Hz	= + UXB-STC-U3020.06
overload relay -B21 Siemens	7.8741.00080 3RB3026-1VB0 10-40 A / S0 setting: 16,2 A NEC 430.32(C) incremental setting: 18,2 A	7.8741.00090 3RB3036-1UB0 12,5-50 A / S2 setting: 19,1 A NEC 430.32(C) incremental setting: 21,3 A	7.8741.00090 3RB3036-1UB0 12,5-50 A / S2 setting: 27,1 A NEC 430.32(C) incremental setting: 30,4 A	7.8741.00090 3RB3036-1UB0 12,5-50 A / S2 setting: 27,1 A NEC 430.32(C) incremental setting: 30,4 A	
overload relay soundproofing casing -B24 Siemens	7.8741.00020 3RB3016-1NB0 0,32-1,25 A / S00 setting: 0,57 A NEC 430.32(C) incremental setting: 0,64 A	7.8741.00020 3RB3016-1NB0 0,32-1,25 A / S00 setting: 0,57 A NEC 430.32(C) incremental setting: 0,64 A	7.8741.00020 3RB3016-1NB0 0,32-1,25 A / S00 setting: 0,57 A NEC 430.32(C) incremental setting: 0,64 A	7.8741.00020 3RB3016-1NB0 0,32-1,25 A / S00 setting: 0,57 A NEC 430.32(C) incremental setting: 0,64 A	electrical component parts list 460V EB+FB performance-related components
Blower motor -M1 Siemens	894994.0 460V-D/60 Hz	894995.0 460V-D/60 Hz	894997.1 460V-D/60 Hz	894997.1 460V-D/60 Hz	
vent motor soundproofing casing -M4 Sodeca/ebm	895040.00040 HC-31-2T / H-I-E 460 V-Y/60 Hz 210W 0,62 A	895040.00040 HC-31-2T / H-I-E 460 V-Y/60 Hz 210W 0,62 A	895040.00040 HC-31-2T / H-I-E 460 V-Y/60 Hz 210W 0,62 A	895426.0 W4D420 (ebm) 460 V-Y/60 Hz 265W 0,62 A	
contactor -Q1 / -Q2	7.8740.00380 3RT2027-1AK60	7.8740.00400 3RT2035-1AK60	7.8740.00400 3RT2035-1AK60	7.8740.00400 3RT2035-1AK60	KAESER KOMPRESSOREN
auxiliary switch	7.8740.05030 3RH2911-1HA20	7.8740.05030 3RH2911-1HA20	7.8740.05030 3RH2911-1HA20	7.8740.05030 3RH2911-1HA20	
auxiliary switch					
interference suppressor	7.8740.05140 3RT2926-1CC00	7.8740.05150 3RT2936-1CC00	7.8740.05150 3RT2936-1CC00	7.8740.05150 3RT2936-1CC00	
terminal	7.3140.05080 3RV2925-5EB	7.3140.05070 3RV2935-5E	7.3140.05070 3RV2935-5E	7.3140.05070 3RV2935-5E	
Phase rail	7.6861.0 3RV1915-1AB	7.3140.05270 3RA2933-3FA00	7.3140.05270 3RA2933-3FA00	7.3140.05270 3RA2933-3FA00	
contactor -Q3	7.8740.00370 3RT2026-1AK60	7.8740.00380 3RT2027-1AK60	7.8740.00400 3RT2035-1AK60	7.8740.00400 3RT2035-1AK60	
auxiliary switch					
auxiliary switch					
interference suppressor	7.8740.05140 3RT2926-1CC00	7.8740.05140 3RT2926-1CC00	7.8740.05150 3RT2936-1CC00	7.8740.05150 3RT2936-1CC00	
wye bridge	7.3140.02070 3RT1926-4BA31	7.3140.02070 3RT1926-4BA31	7.3140.01170 3RT1936-4BA31	7.3140.01170 3RT1936-4BA31	
motor cable -W19.1/19.2	4x10 AWG / 4G6 mm ² 600 V - 90°C	4x10 AWG / 4G6 mm ² 600 V - 90°C	4x8 AWWG / 4G10 mm ² 600 V - 90°C	4x8 AWWG / 4G10 mm ² 600 V - 90°C	
connection -W11 Phase rail -W13 Phase rail -W14 Phase rail 600 V - 90°C	8 AWG / 10 mm2 Phase rail 14 AWG / 2,5 mm2 600 V - 90°C	8 AWG / 10 mm2 Phase rail 14 AWG / 2,5 mm2 600 V - 90°C	6 AWG / 16 mm2 Phase rail Phase rail 600 V - 90°C	6 AWG / 16 mm2 Phase rail Phase rail 600 V - 90°C	
supply terminals -X0: U1/V1/W1/GRD	894864.00010 14-4 AWG / 2,5-16 mm ² Wieland fig. 2, Sht. 11 16 mm	894864.00010 14-4 AWG / 2,5-16 mm ² Wieland fig. 2, Sht. 11 16 mm	3x 895314.0 3x 895314.00010 4x 895314.00040 8-1 AWG / 10-50 mm ² Wago fig. 3, Sht. 11 30 mm	3x 895314.0 3x 895314.00010 4x 895314.00040 8-1 AWG / 10-50 mm ² Wago fig. 3, Sht. 11 30 mm	Date 14.12.2020
supply Handling Stripped length X connection	fig. 1, Sht. 12	fig. 1, Sht. 12	fig. 2, Sht. 12	fig. 2, Sht. 12	Date M.Zeesh Released M.Zeesh
					Name Date
					C Change

model	performance-related components				page 16 28 Sht
	50 hp EB+ FB-C (37 kW)	50 hp FB-S (37 kW)	60 hp EB+ FB-C (45 kW)	60 hp FB-S (45 kW)	
machine power supply	460 V ±10 %, 60 Hz	460 V ±10 %, 60 Hz	460 V ±10 %, 60 Hz	460 V ±10 %, 60 Hz	= + UXB-STC-U3020.06
overload relay -B21 Siemens	7.8741.00090 3RB3036-1UB0 12.5-50 A / S2 setting: 32,9 A NEC 430.32(C) incremental setting: 36,9 A	7.8741.00090 3RB3036-1UB0 12.5-50 A / S2 setting: 32,9 A NEC 430.32(C) incremental setting: 36,9 A	7.8741.00100 3RB3036-1WB0 20-80 A / S2 setting: 40,4 A NEC 430.32(C) incremental setting: 45,3 A	7.8741.00100 3RB3036-1WB0 20-80 A / S2 setting: 40,4 A NEC 430.32(C) incremental setting: 45,3 A	
overload relay soundproofing casing -B24 Siemens	7.8741.00020 3RB3016-1NB0 0,32-1,25 A / S00 setting: 0,57 A NEC 430.32(C) incremental setting: 0,64 A	7.8741.00020 3RB3016-1NB0 0,32-1,25 A / S00 setting: 0,57 A NEC 430.32(C) incremental setting: 0,64 A	7.8741.00020 3RB3016-1NB0 0,32-1,25 A / S00 setting: 0,57 A NEC 430.32(C) incremental setting: 0,64 A	7.8741.00020 3RB3016-1NB0 0,32-1,25 A / S00 setting: 0,57 A NEC 430.32(C) incremental setting: 0,64 A	electrical component parts list 460V EB+FB performance-related components
Blower motor -M1 Siemens	894978.1 460V-D/60 Hz	894978.1 460V-D/60 Hz	894979.1 460V-D/60 Hz	894979.1 460V-D/60 Hz	
vent motor soundproofing casing -M4 Sodeca/ebm	895040.00040 HC-31-2T / H-I-E 460 V-Y/60 Hz 210W 0,62 A	895426.0 W4D420 (ebm) 460 V-Y/60 Hz 265W 0,62 A	895040.00040 HC-31-2T / H-I-E 460 V-Y/60 Hz 210W 0,62 A	895426.0 W4D420 (ebm) 460 V-Y/60 Hz 265W 0,62 A	KAESER KOMPRESSOREN
contactor -Q1 / -Q2	7.8740.00410 3RT2036-1AK60	7.8740.00410 3RT2036-1AK60	7.8740.00430 3RT2038-1AK60	7.8740.00430 3RT2038-1AK60	
auxiliary switch	7.8740.05030 3RH2911-1HA20	7.8740.05030 3RH2911-1HA20	7.8740.05030 3RH2911-1HA20	7.8740.05030 3RH2911-1HA20	KAESER KOMPRESSOREN
auxiliary switch	7.8740.05150 3RT2936-1CC00	7.8740.05150 3RT2936-1CC00	7.8740.05150 3RT2936-1CC00	7.8740.05150 3RT2936-1CC00	
interference suppressor	7.3140.05070 3RV2935-5E	7.3140.05070 3RV2935-5E	7.3140.05070 3RV2935-5E	7.3140.05070 3RV2935-5E	KAESER KOMPRESSOREN
terminal	7.3140.05270 3RA2933-3FA00	7.3140.05270 3RA2933-3FA00	7.3140.05270 3RA2933-3FA00	7.3140.05270 3RA2933-3FA00	
Phase rail	7.8740.00400 3RT2035-1AK60	7.8740.00400 3RT2035-1AK60	7.8740.00400 3RT2035-1AK60	7.8740.00400 3RT2035-1AK60	KAESER KOMPRESSOREN
contactor -Q3	7.8740.00400 3RT2035-1AK60	7.8740.00400 3RT2035-1AK60	7.8740.00400 3RT2035-1AK60	7.8740.00400 3RT2035-1AK60	
auxiliary switch	7.8740.05150 3RT2936-1CC00	7.8740.05150 3RT2936-1CC00	7.8740.05150 3RT2936-1CC00	7.8740.05150 3RT2936-1CC00	KAESER KOMPRESSOREN
auxiliary switch	7.3140.01170 3RT1936-4BA31	7.3140.01170 3RT1936-4BA31	7.3140.01170 3RT1936-4BA31	7.3140.01170 3RT1936-4BA31	
interference suppressor	7.3140.01170 3RT1936-4BA31	7.3140.01170 3RT1936-4BA31	7.3140.01170 3RT1936-4BA31	7.3140.01170 3RT1936-4BA31	KAESER KOMPRESSOREN
wye bridge	4x6 AWWG / 4G16 mm ² 600 V - 90°C	4x6 AWWG / 4G16 mm ² 600 V - 90°C	4x6 AWWG / 4G16 mm ² 600 V - 90°C	4x6 AWWG / 4G16 mm ² 600 V - 90°C	
motor cable -W19.1/19.2	4 AWG / 25 mm ² Phase rail Phase rail 600 V - 90°C	4 AWG / 25 mm ² Phase rail Phase rail 600 V - 90°C	2 AWG / 35 mm ² Phase rail Phase rail 600 V - 90°C	2 AWG / 35 mm ² Phase rail Phase rail 600 V - 90°C	KAESER KOMPRESSOREN
connection -W11 -W13 -W14	3x 895314.0 3x 895314.00010 4x 895314.00040 8-1 AWG / 10-50 mm ² Wago fig. 3, Sht. 11 30 mm	3x 895314.0 3x 895314.00010 4x 895314.00040 8-1 AWG / 10-50 mm ² Wago fig. 3, Sht. 11 30 mm	3x 895314.0 3x 895314.00010 4x 895314.00040 8-1 AWG / 10-50 mm ² Wago fig. 3, Sht. 11 30 mm	3x 895314.0 3x 895314.00010 4x 895314.00040 8-1 AWG / 10-50 mm ² Wago fig. 3, Sht. 11 30 mm	
supply terminals -X0: U1/V1/W1/GRD	30 mm Stripped length X connection fig. 2, Sht. 12	30 mm Stripped length X connection fig. 2, Sht. 12	30 mm Stripped length X connection fig. 2, Sht. 12	30 mm Stripped length X connection fig. 2, Sht. 12	Date 14.12.2020 Drawn M.Zeesh Released M.Zeesh C Change
supply					

model	performance-related components					page 17 28 Sht
	75 hp EB+ FB-C (55 kW)	75 hp FB-S (55 kW)	100 hp EB (75 kW)	100 hp FB-C (75 kW)	100 hp FB-S (75 kW)	
machine power supply	460 V ±10 %, 60 Hz	460 V ±10 %, 60 Hz	460 V ±10 %, 60 Hz	460 V ±10 %, 60 Hz	460 V ±10 %, 60 Hz	= + UXB-STC-U3020.06
overload relay -B21 Siemens	7.8741.00100 3RB3036-1WB0 20-80 A / S2 setting: 47,9 A NEC 430.32(C) incremental setting: 53,7 A	7.8741.00100 3RB3036-1WB0 20-80 A / S2 setting: 47,9 A NEC 430.32(C) incremental setting: 53,7 A	7.8741.00140 3RB3046-1XB0 32-115 A / S3 setting: 64,1 A NEC 430.32(C) incremental setting: 71,8 A	7.8741.00140 3RB3046-1XB0 32-115 A / S3 setting: 64,1 A NEC 430.32(C) incremental setting: 71,8 A	7.8741.00140 3RB3046-1XB0 32-115 A / S3 setting: 65,8 A NEC 430.32(C) incremental setting: 73,7 A	
overload relay soundproofing casing -B24 Siemens	7.8741.00020 3RB3016-1NB0 0,32-1,25 A / S00 setting: 0,57 A NEC 430.32(C) incremental setting: 0,64 A	7.8741.00020 3RB3016-1NB0 0,32-1,25 A / S00 setting: 0,57 A NEC 430.32(C) incremental setting: 0,64 A	7.8741.00020 3RB3016-1NB0 0,32-1,25 A / S00 setting: 0,57 A NEC 430.32(C) incremental setting: 0,64 A	7.8741.00020 3RB3016-1NB0 0,32-1,25 A / S00 setting: 0,57 A NEC 430.32(C) incremental setting: 0,64 A	7.8741.00020 3RB3016-1NB0 0,32-1,25 A / S00 setting: 0,57 A NEC 430.32(C) incremental setting: 0,64 A	electrical component parts list 460V EB+FB performance-related components
Blower motor -M1 Siemens	894717.1 460V-D/60 Hz	894717.1 460V-D/60 Hz	894719.1 460V-D/60 Hz	894719.1 460V-D/60 Hz	894719.12010 460V-D/60 Hz	
vent motor soundproofing casing -M4 Sodeca/ebm	895040.00040 HC-31-2T / H-I-E 460 V-Y/60 Hz 210W 0,62 A	895426.0 W4D420 (ebm) 460 V-Y/60 Hz 265W 0,62 A	895040.00040 HC-31-2T / H-I-E 460 V-Y/60 Hz 210W 0,62 A	895040.00040 HC-31-2T / H-I-E 460 V-Y/60 Hz 210W 0,62 A	895426.0 W4D420 (ebm) 460 V-Y/60 Hz 265W 0,62 A	
contactor -Q1 / -Q2	7.8740.00410 3RT2036-1AK60	7.8740.00410 3RT2036-1AK60	7.8740.00440 3RT2045-1AK60	7.8740.00450 3RT2046-1AK60	7.8740.00450 3RT2046-1AK60	KAESER KOMPRESSOREN
auxiliary switch	7.8740.05030 3RH2911-1HA20	7.8740.05030 3RH2911-1HA20	7.8740.05030 3RH2911-1HA20	7.8740.05030 3RH2911-1HA20	7.8740.05030 3RH2911-1HA20	
auxiliary switch	---	---	---	---	---	
interference suppressor	7.8740.05150 3RT2936-1CC00	7.8740.05150 3RT2936-1CC00	7.8740.05170 3RT2946-1CC00	7.8740.05170 3RT2946-1CC00	7.8740.05170 3RT2946-1CC00	
terminal	7.3140.05070 3RV2935-5E	7.3140.05070 3RV2935-5E	---	---	---	
Phase rail	7.3140.05270 3RA2933-3FA00	7.3140.05270 3RA2933-3FA00	---	---	---	
contactor -Q3	7.8740.00400 3RT2035-1AK60	7.8740.00400 3RT2035-1AK60	7.8740.00420 3RT2037-1AK60	7.8740.00440 3RT2045-1AK60	7.8740.00440 3RT2045-1AK60	
auxiliary switch	---	---	---	---	---	
auxiliary switch	---	---	---	---	---	
interference suppressor	7.8740.05150 3RT2936-1CC00	7.8740.05150 3RT2936-1CC00	7.8740.05150 3RT2936-1CC00	7.8740.05170 3RT2946-1CC00	7.8740.05170 3RT2946-1CC00	
wye bridge	7.3140.01170 3RT1936-4BA31	7.3140.01170 3RT1936-4BA31	7.3140.01170 3RT1936-4BA31	7.3140.00940 3RT1946-4BA31	7.3140.00940 3RT1946-4BA31	
motor cable -W19.1/19.2	4x4 AWG / 4G25 mm ² 600 V - 90°C	4x4 AWG / 4G25 mm ² 600 V - 90°C	4x2 AWG / 4G35 mm ² 600 V - 90°C	4x2 AWG / 4G35 mm ² 600 V - 90°C	4x2 AWG / 4G35 mm ² 600 V - 90°C	
connection -W11 -W13 -W14	1 AWG / 50 mm ² Phase rail Phase rail 600 V - 90°C	1 AWG / 50 mm ² Phase rail Phase rail 600 V - 90°C	2 AWG / 35 mm ² 2 AWG / 35 mm ² 8 AWG / 10 mm ² 600 V - 90°C	2 AWG / 35 mm ² 2 AWG / 35 mm ² 8 AWG / 10 mm ² 600 V - 90°C	2 AWG / 35 mm ² 2 AWG / 35 mm ² 8 AWG / 10 mm ² 600 V - 90°C	
supply terminals -X0: U1/V1/W1/PE Handling Stripped length X	3x 894385.0 3x 894385.00010 4x 894385.00040 Wago 4-4/0 AWG / 25-95 mm ² fig. 3, Sht. 11 36 mm	3x 894385.0 3x 894385.00010 4x 894385.00040 Wago 4-4/0 AWG / 25-95 mm ² fig. 3, Sht. 11 36 mm	6x 894385.0 3x 894385.00030 3x 894385.00040 Wago 4-4/0 AWG / 25-95 mm ² fig. 3, Sht. 11 36 mm	6x 894385.0 3x 894385.00030 3x 894385.00040 Wago 4-4/0 AWG / 25-95 mm ² fig. 3, Sht. 11 36 mm	6x 894385.0 3x 894385.00030 3x 894385.00040 Wago 4-4/0 AWG / 25-95 mm ² fig. 3, Sht. 11 36 mm	
PE-rail -X0:PE Torque Stripped length X	---	---	832489.00010 15Nm 25 mm+ Conductor crimp pins	832489.00010 15Nm 25 mm+ Conductor crimp pins	832489.00010 15Nm 25 mm+ Conductor crimp pins	Date 14.12.2020
supply -connection	fig. 2, Sht. 12	fig. 2, Sht. 12	fig. 3, Sht. 13	fig. 3, Sht. 13	fig. 3, Sht. 13	Date Released
						Date Name
						C Change

model	performance-related components					page 18 28 Sht
	125 hp FB-C (90 kW)	125 hp FB-S (90 kW)	150 hp FB-C (110 kW)	150 hp FB-S (110 kW)	175 hp FB (132 kW)	
machine power supply	460 V ±10 %, 60 Hz	460 V ±10 %, 60 Hz	460 V ±10 %, 60 Hz	460 V ±10 %, 60 Hz	460 V ±10 %, 60 Hz	= + UXB-STC-U3020.06
overload relay -B21 Siemens	7.6873.00240 3RB2056-1FW2 50-200 A / S6 setting: 78,5 A NEC 430.32(C) incremental setting: 87,9 A	7.6873.00240 3RB2056-1FW2 50-200 A / S6 setting: 77,9 A NEC 430.32(C) incremental setting: 87,3 A	7.6873.00240 3RB2056-1FW2 50-200 A / S6 setting: 98,2 A NEC 430.32(C) incremental setting: 109,9 A	7.6873.00240 3RB2056-1FW2 50-200 A / S6 setting: 92,4 A NEC 430.32(C) incremental setting: 103,5 A	7.6873.00240 3RB2056-1FW2 50-200 A / S6 setting: 114,3 A NEC 430.32(C) incremental setting: 128 A	
overload relay soundproofing casing -B24 Siemens	7.8741.00020 3RB3016-1NB0 0,32-1,25 A / S00 setting: 0,57 A NEC 430.32(C) incremental setting: 0,64 A	7.8741.00020 3RB3016-1NB0 0,32-1,25 A / S00 setting: 0,57 A NEC 430.32(C) incremental setting: 0,64 A	7.8741.00020 3RB3016-1NB0 0,32-1,25 A / S00 setting: 0,57 A NEC 430.32(C) incremental setting: 0,64 A	7.8741.00020 3RB3016-1NB0 0,32-1,25 A / S00 setting: 0,57 A NEC 430.32(C) incremental setting: 0,64 A	7.8741.00020 3RB3016-1NB0 0,32-1,25 A / S00 setting: 0,57 A NEC 430.32(C) incremental setting: 0,64 A	
Blower motor -M1 Siemens	894723.1 460V-D/60 Hz	894722.12010 460V-D/60 Hz	895025.1 460V-D/60 Hz	894724.1 460V-D/60 Hz	894726.1 460V-D/60 Hz	
vent motor soundproofing casing -M4 Sodeca/ebm	895040.00040 HC-31-2T / H-I-E 460 V-Y/60 Hz 210W 0,62 A	895426.0 W4D420 (ebm) 460 V-Y/60 Hz 265W 0,62 A	895040.00040 HC-31-2T / H-I-E 460 V-Y/60 Hz 210W 0,62 A	895426.0 W4D420 (ebm) 460 V-Y/60 Hz 265W 0,62 A	895040.00040 HC-31-2T / H-I-E 460 V-Y/60 Hz 210W 0,62 A	
contactor -Q1 / -Q2	7.3140.02140 3RT1054-1AF36	7.3140.02140 3RT1054-1AF36	7.3140.02140 3RT1054-1AF36	7.3140.02140 3RT1054-1AF36	7.3140.02160 3RT1056-6AF36	
auxiliary switch	7.3140.01690 3RH1921-1CA10	7.3140.01690 3RH1921-1CA10	7.3140.01690 3RH1921-1CA10	7.3140.01690 3RH1921-1CA10	7.3140.01690 3RH1921-1CA10	
auxiliary switch	7.3140.02030 3RH1921-1CA01	7.3140.02030 3RH1921-1CA01	7.3140.02030 3RH1921-1CA01	7.3140.02030 3RH1921-1CA01	7.3140.02030 3RH1921-1CA01	
interference suppressor	7.3140.02020 3RT1956-1CC00	7.3140.02020 3RT1956-1CC00	7.3140.02020 3RT1956-1CC00	7.3140.02020 3RT1956-1CC00	7.3140.02020 3RT1956-1CC00	
terminal	---	---	---	---	---	
Phase rail	---	---	---	---	---	
contactor -Q3 Siemens	7.8740.00440 3RT2045-1AK60	7.8740.00440 3RT2045-1AK60	7.8740.00450 3RT2046-1AK60	7.8740.00450 3RT2046-1AK60	7.8740.00440 3RT2045-1AK60	
auxiliary switch	---	---	---	---	---	
auxiliary switch	---	---	---	---	---	
interference suppressor	7.8740.05170 3RT2946-1CC00	7.8740.05170 3RT2946-1CC00	7.8740.05170 3RT2946-1CC00	7.8740.05170 3RT2946-1CC00	7.8740.05170 3RT2946-1CC00	
wye bridge	7.3140.00940 3RT1946-4BA31	7.3140.00940 3RT1946-4BA31	7.3140.00940 3RT1946-4BA31	7.3140.00940 3RT1946-4BA31	7.3140.00940 3RT1946-4BA31	
motor cable -W19.1/19.2	4x1 AWG / 4G50 mm ² 600 V - 90°C	4x1 AWG / 4G50 mm ² 600 V - 90°C	4x2/0 AWG / 4G70 mm ² 600 V - 90°C	4x2/0 AWG / 4G70 mm ² 600 V - 90°C	4x3/0 AWG / 4G95 mm ² 600 V - 90°C	
connection -W11 -W13 -W14	1 AWG / 50 mm ² 1 AWG / 50 mm ² 4 AWG / 25 mm ² 600 V - 90°C	1 AWG / 50 mm ² 1 AWG / 50 mm ² 4 AWG / 25 mm ² 600 V - 90°C	2/0 AWG / 70 mm ² 2/0 AWG / 70 mm ² 2 AWG / 35 mm ² 600 V - 90°C	2/0 AWG / 70 mm ² 2/0 AWG / 70 mm ² 2 AWG / 35 mm ² 600 V - 90°C	3/0 AWG / 95 mm ² 3/0 AWG / 95 mm ² 2 AWG / 35 mm ² 600 V - 90°C	
supply terminals -X0: U1/V1/W1 Handling Stripped length X	6x 894385.0 3x 894385.00030 3x 894385.00040 Wago 4-4/0 AWG / 25-95 mm ² fig. 3, Sht. 11 36 mm	6x 894385.0 3x 894385.00030 3x 894385.00040 Wago 4-4/0 AWG / 25-95 mm ² fig. 3, Sht. 11 36 mm	6x 894385.0 3x 894385.00030 3x 894385.00040 Wago 4-4/0 AWG / 25-95 mm ² fig. 3, Sht. 11 36 mm	6x 894385.0 3x 894385.00030 3x 894385.00040 Wago 4-4/0 AWG / 25-95 mm ² fig. 3, Sht. 11 36 mm	6x 895545.0 3x 895545.00030 3x 895545.00040 Wago (50-185 mm ²) 1 AWG - 350 MCM fig. 3, Sht. 11 45 mm	
PE-rail -X0:PE Torque Stripped length X	832489.00010 15Nm 25 mm+ Conductor crimp pins	832489.00010 15Nm 25 mm+ Conductor crimp pins	832489.00010 15Nm 25 mm+ Conductor crimp pins	832489.00010 15Nm 25 mm+ Conductor crimp pins	832489.00010 15Nm 25 mm+ Conductor crimp pins	
supply -connection	fig. 3, Sht. 13	fig. 3, Sht. 13	fig. 3, Sht. 13	fig. 3, Sht. 13	fig. 3, Sht. 13	

electrical component parts list
460V FB
performance-related components

KAESER
KOMPRESSOREN

Date 14.12.2020
Drawn M.Zeesh
Released M.Zeesh

Name
Date

C Change

model	performance-related components					page 19 28 Sht
	5 hp BB (4 kW)	7,5 hp BB+ CB+DB (5,5 kW)	10 hp BB+ CB+DB (7,5 kW)	15 hp BB+ CB+DB (11 kW)	20 hp BB+ CB+DB (15 kW)	
machine power supply	575 V ±10 %, 60 Hz	575 V ±10 %, 60 Hz	575 V ±10 %, 60 Hz	575 V ±10 %, 60 Hz	575 V ±10 %, 60 Hz	UXB-STC-U3020.06
overload relay -B21 Siemens	7.8741.00120 3RB3026-1PB0 1-4 A / S0 setting: 2,6 A NEC 430.32(C) incremental setting: 2,9 A	7.8741.00060 3RB3026-1SB0 3-12 A / S0 setting: 3,7 A NEC 430.32(C) incremental setting: 4,2 A	7.8741.00060 3RB3026-1SB0 3-12 A / S0 setting: 4,9 A NEC 430.32(C) incremental setting: 5,5 A	7.8741.00070 3RB3026-1QB0 6-25 A / S0 setting: 7,5 A NEC 430.32(C) incremental setting: 8,5 A	7.8741.00070 3RB3026-1QB0 6-25 A / S0 setting: 10,2 A NEC 430.32(C) incremental setting: 11,5 A	
overload relay soundproofing casing -B24 Siemens	7.8741.00030 3RB3016-1PB0 1,00-4,00 A / S00 setting: 1,43 A NEC 430.32(C) incremental setting: 1,61 A	7.8741.00030 3RB3016-1PB0 1,00-4,00 A / S00 setting: 1,43 A NEC 430.32(C) incremental setting: 1,61 A	7.8741.00030 3RB3016-1PB0 1,00-4,00 A / S00 setting: 1,43 A NEC 430.32(C) incremental setting: 1,61 A	7.8741.00030 3RB3016-1PB0 1,00-4,00 A / S00 setting: 1,43 A NEC 430.32(C) incremental setting: 1,61 A	7.8741.00030 3RB3016-1PB0 1,00-4,00 A / S00 setting: 1,43 A NEC 430.32(C) incremental setting: 1,61 A	
Blower motor -M1 Siemens	894969.00500 575V-D/60 Hz	894970.00500 575V-D/60 Hz	894971.00500 575V-D/60 Hz	894972.00500 575V-D/60 Hz	894973.00500 575V-D/60 Hz	
vent motor soundproofing casing -M4 ebm	895260.00010 W2D250 (1PH/N/GRD) 115 V/60 Hz, 175W 1,55 A	895260.00010 W2D250 (1PH/N/GRD) 115 V/60 Hz, 175W 1,55 A	895260.00010 W2D250 (1PH/N/GRD) 115 V/60 Hz, 175W 1,55 A	895260.00010 W2D250 (1PH/N/GRD) 115 V/60 Hz, 175W 1,55 A	895260.00010 W2D250 (1PH/N/GRD) 115 V/60 Hz, 175W 1,55 A	
contactor -Q1 / -Q2	7.8740.00340 3RT2023-1AK60	7.8740.00340 3RT2023-1AK60	7.8740.00350 3RT2024-1AK60	7.8740.00360 3RT2025-1AK60	7.8740.00380 3RT2027-1AK60	
auxiliary switch	7.8740.05030 3RH2911-1HA20	7.8740.05030 3RH2911-1HA20	7.8740.05030 3RH2911-1HA20	7.8740.05030 3RH2911-1HA20	7.8740.05030 3RH2911-1HA20	
auxiliary switch						
interference suppressor	7.8740.05140 3RT2926-1CC00	7.8740.05140 3RT2926-1CC00	7.8740.05140 3RT2926-1CC00	7.8740.05140 3RT2926-1CC00	7.8740.05140 3RT2926-1CC00	
terminal	7.3140.05080 3RV2925-5EB	7.3140.05080 3RV2925-5EB	7.3140.05080 3RV2925-5EB	7.3140.05080 3RV2925-5EB	7.3140.05080 3RV2925-5EB	
Phase rail	7.6861.0 3RV1915-1AB	7.6861.0 3RV1915-1AB	7.6861.0 3RV1915-1AB	7.6861.0 3RV1915-1AB	7.6861.0 3RV1915-1AB	
contactor -Q3	7.8740.00310 3RT2016-1AK61	7.8740.00310 3RT2016-1AK61	7.8740.00310 3RT2016-1AK61	7.8740.00310 3RT2016-1AK61	7.8740.00360 3RT2025-1AK60	
auxiliary switch	7.8740.05010 3RH2911-1HA11	7.8740.05010 3RH2911-1HA11	7.8740.05010 3RH2911-1HA11	7.8740.05010 3RH2911-1HA11		
auxiliary switch						
interference suppressor	7.8740.05130 3RT2916-1CC00	7.8740.05130 3RT2916-1CC00	7.8740.05130 3RT2916-1CC00	7.8740.05130 3RT2916-1CC00	7.8740.05140 3RT2926-1CC00	
wye bridge	7.3140.05030 3RT1916-4BA31	7.3140.05030 3RT1916-4BA31	7.3140.05030 3RT1916-4BA31	7.3140.05030 3RT1916-4BA31	7.3140.02070 3RT1926-4BA31	
motor cable -W19.1/19.2	4x14 AWG / 4G2,5 mm ² 600 V - 90°C	4x14 AWG / 4G2,5 mm ² 600 V - 90°C	4x14 AWG / 4G2,5 mm ² 600 V - 90°C	4x14 AWG / 4G2,5 mm ² 600 V - 90°C	4x12 AWG / 4G4 mm ² 600 V - 90°C	
connection -W11 -W13 -W14	14 AWG / 2,5 mm ² Phase rail 14 AWG / 2,5 mm ² 600 V - 90°C	14 AWG / 2,5 mm ² Phase rail 14 AWG / 2,5 mm ² 600 V - 90°C	14 AWG / 2,5 mm ² Phase rail 14 AWG / 2,5 mm ² 600 V - 90°C	10 AWG / 6 mm ² Phase rail 14 AWG / 2,5 mm ² 600 V - 90°C	10 AWG / 6 mm ² Phase rail Phase rail 600 V - 90°C	
supply terminals -X0: U1/V1/W1/GRD	894864.00010 14-4 AWG / 2,5-16 mm ² Wieland fig. 2, Sht. 11 16 mm Stripped length X connection fig. 1, Sht. 12	894864.00010 14-4 AWG / 2,5-16 mm ² Wieland fig. 2, Sht. 11 16 mm fig. 1, Sht. 12	894864.00010 14-4 AWG / 2,5-16 mm ² Wieland fig. 2, Sht. 11 16 mm fig. 1, Sht. 12	894864.00010 14-4 AWG / 2,5-16 mm ² Wieland fig. 2, Sht. 11 16 mm fig. 1, Sht. 12	894864.00010 14-4 AWG / 2,5-16 mm ² Wieland fig. 2, Sht. 11 16 mm fig. 1, Sht. 12	
supply						

electrical component parts list
575V BB+CB+DB
performance-related components

KAESER
KOMPRESSOREN

Date 14.12.2020
Drawn M.Zeesh
Released M.Zeesh

C Change
Name
Date

model	performance-related components				
	25 hp CB+ DB (18,5 kW)	30 hp CB+ DB (22 kW)	40 hp CB+ DB (30 kW)	50 hp DB (37 kW)	60 hp DB (45 kW)
machine power supply	575 V ±10 %, 60 Hz	575 V ±10 %, 60 Hz	575 V ±10 %, 60 Hz	575 V ±10 %, 60 Hz	575 V ±10 %, 60 Hz
overload relay -B21 Siemens	7.8741.00070 3RB3026-1QB0 6-25 A / S0 setting: 11,9 A NEC 430.32(C) incremental setting: 13,5 A	7.8741.00090 3RB3036-1UB0 12,5-50 A / S2 setting: 14,2 A NEC 430.32(C) incremental setting: 16,1 A	7.8741.00090 3RB3036-1UB0 12,5-50 A / S2 setting: 21,8 A NEC 430.32(C) incremental setting: 24,6 A	7.8741.00090 3RB3036-1UB0 12,5-50 A / S2 setting: 26,6 A NEC 430.32(C) incremental setting: 30 A	7.8741.00090 3RB3036-1UB0 12,5-50 A / S2 setting: 32,9 A NEC 430.32(C) incremental setting: 37,2 A
overload relay soundproofing casing -B24 Siemens	7.8741.00030 3RB3016-1PB0 1,00-4,00 A / S00 setting: 1,43 A NEC 430.32(C) incremental setting: 1,61 A	7.8741.00030 3RB3016-1PB0 1,00-4,00 A / S00 setting: 1,43 A NEC 430.32(C) incremental setting: 1,61 A	7.8741.00030 3RB3016-1PB0 1,00-4,00 A / S00 setting: 1,43 A NEC 430.32(C) incremental setting: 1,61 A	7.8741.00030 3RB3016-1PB0 1,00-4,00 A / S00 setting: 1,43 A NEC 430.32(C) incremental setting: 1,61 A	7.8741.00030 3RB3016-1PB0 1,00-4,00 A / S00 setting: 1,43 A NEC 430.32(C) incremental setting: 1,61 A
Blower motor -M1 Siemens	8949743.00500 575 V-D/60 Hz	894975.00500 575 V-D/60 Hz	894976.10500 (CB) 894977.10500 (DB) 575 V-D/60 Hz	894978.10500 575 V-D/60 Hz	894979.10500 575 V-D/60 Hz
vent motor soundproofing casing -M4 ebm	895260.00010 W2D250 (1PH/N/GRD) 115 V/60 Hz, 175W 1,55 A	895260.00010 W2D250 (1PH/N/GRD) 115 V/60 Hz, 175W 1,55 A	895260.00010 W2D250 (1PH/N/GRD) 115 V/60 Hz, 175W 1,55 A	895260.00010 W2D250 (1PH/N/GRD) 115 V/60 Hz, 175W 1,55 A	895260.00010 W2D250 (1PH/N/GRD) 115 V/60 Hz, 175W 1,55 A
contactor -Q1 / -Q2	7.8740.00380 3RT2027-1AK60	7.8740.00400 3RT2035-1AK60	7.8740.00400 3RT2035-1AK60	7.8740.00400 3RT2035-1AK60	7.8740.00410 3RT2036-1AK60
auxiliary switch	7.8740.05030 3RH2911-1HA20	7.8740.05030 3RH2911-1HA20	7.8740.05030 3RH2911-1HA20	7.8740.05030 3RH2911-1HA20	7.8740.05030 3RH2911-1HA20
auxiliary switch					
interference suppressor	7.8740.05140 3RT2926-1CC00	7.8740.05150 3RT2936-1CC00	7.8740.05150 3RT2936-1CC00	7.8740.05150 3RT2936-1CC00	7.8740.05150 3RT2936-1CC00
terminal	7.3140.05080 3RV2925-5EB	7.3140.05070 3RV2935-5E	7.3140.05070 3RV2935-5E	7.3140.05070 3RV2935-5E	7.3140.05070 3RV2935-5E
Phase rail	7.6861.0 3RV1915-1AB	7.3140.02120 3RV1935-1A	7.3140.05270 3RA2933-3FA00	7.3140.05270 3RA2933-3FA00	7.3140.05270 3RA2933-3FA00
contactor -Q3	7.8740.00360 3RT2025-1AK60	7.8740.00370 3RT2026-1AK60	7.8740.00380 3RT2027-1AK60	7.8740.00390 3RT2028-1AK60	7.8740.00400 3RT2035-1AK60
auxiliary switch					
auxiliary switch					
interference suppressor	7.8740.05140 3RT2926-1CC00	7.8740.05140 3RT2926-1CC00	7.8740.05140 3RT2926-1CC00	7.8740.05140 3RT2926-1CC00	7.8740.05150 3RT2936-1CC00
wye bridge	7.3140.02070 3RT1926-4BA31	7.3140.02070 3RT1926-4BA31	7.3140.02070 3RT1926-4BA31	7.3140.02070 3RT1926-4BA31	7.3140.01170 3RT1936-4BA31
motor cable -W19.1/19.2	4x12 AWG / 4G4 mm ² 600 V - 90°C	4x10 AWG / 4G6 mm ² 600 V - 90°C	4x8 AWG / 4G10 mm ² 600 V - 90°C	4x8 AWG / 4G10 mm ² 600 V - 90°C	4x6 AWG / 4G16 mm ² 600 V - 90°C
connection -W11 -W13 -W14	10 AWG / 6 mm ² Phase rail Phase rail 10 AWG / 6 mm ² 600 V - 90°C	8 AWG / 10 mm ² Phase rail Phase rail 10 AWG / 6 mm ² 600 V - 90°C	8 AWG / 10 mm ² Phase rail Phase rail 10 AWG / 6 mm ² 600 V - 90°C	6 AWG / 16 mm ² Phase rail Phase rail 10 AWG / 6 mm ² 600 V - 90°C	4 AWG / 25 mm ² Phase rail Phase rail 10 AWG / 6 mm ² 600 V - 90°C
supply terminals -X0: U1/N1/W1/GRD Handling Stripped length X connection	894864.00010 14-4 AWG / 2,5-16 mm ² Wieland fig. 2, Sht. 11 16 mm fig. 1, Sht. 12	894864.00010 14-4 AWG / 2,5-16 mm ² Wieland fig. 2, Sht. 11 16 mm fig. 1, Sht. 12	894864.00010 14-4 AWG / 2,5-16 mm ² Wieland fig. 2, Sht. 11 16 mm fig. 1, Sht. 12	3x 895314.0 3x 895314.00010 4x 895314.00040 8-1 AWG / 10-50 mm ² Wago fig. 3, Sht. 11 30 mm fig. 2, Sht. 12	3x 895314.0 3x 895314.00010 4x 895314.00040 8-1 AWG / 10-50 mm ² Wago fig. 3, Sht. 11 30 mm fig. 2, Sht. 12
supply					

page 20
28 Sht

UXB-STC-U3020.06

electrical component parts list
575V CB+DB
performance-related components

KAESER
KOMPRESSOREN

Date	14.12.2020	M.Zeesh	M.Zeesh	Name
Drawn				
Released				
C Change				

model	performance-related components				page 21 28 Sht
	25 hp EB (18,5 kW)	30 hp EB (22 kW)	40 hp EB+ FB-C (30 kW)	40 hp FB-S (30 kW)	
machine power supply	575 V ±10 %, 60 Hz	575 V ±10 %, 60 Hz	575 V ±10 %, 60 Hz	575 V ±10 %, 60 Hz	= + UXB-STC-U3020.06
overload relay -B21 Siemens	7.8741.00070 3RB3026-1QB0 6-25 A / S0 setting: 11,9 A NEC 430.32(C) incremental setting: 13,5 A	7.8741.00090 3RB3036-1UB0 12,5-50 A / S2 setting: 14,2 A NEC 430.32(C) incremental setting: 16,1 A	7.8741.00090 3RB3036-1UB0 12,5-50 A / S2 setting: 22,0 A NEC 430.32(C) incremental setting: 24,9 A	7.8741.00090 3RB3036-1UB0 12,5-50 A / S2 setting: 22,0 A NEC 430.32(C) incremental setting: 24,9 A	
overload relay soundproofing casing -B24 Siemens	7.8741.00020 3RB3016-1NB0 0,32-1,25 A / S00 setting: 0,36 A NEC 430.32(C) incremental setting: 0,41 A	7.8741.00020 3RB3016-1NB0 0,32-1,25 A / S00 setting: 0,36 A NEC 430.32(C) incremental setting: 0,41 A	7.8741.00020 3RB3016-1NB0 0,32-1,25 A / S00 setting: 0,36 A NEC 430.32(C) incremental setting: 0,41 A	7.8741.00020 3RB3016-1NB0 0,32-1,25 A / S00 setting: 0,57 A NEC 430.32(C) incremental setting: 0,64 A	electrical component parts list 575V EB+FB performance-related components
Blower motor -M1 Siemens	8949743.00500 575V-D/60 Hz	894975.00500 575V-D/60 Hz	894977.10500 575V-D/60 Hz	894977.10500 575V-D/60 Hz	
vent motor soundproofing casing -M4 Sodeca/ebm	895040.00010 HC-31-2T / H-I-E 575 V-Y/60 Hz 180W 0,39 A	895040.00010 HC-31-2T / H-I-E 575 V-Y/60 Hz 180W 0,39 A	895040.00010 HC-31-2T / H-I-E 575 V-Y/60 Hz 180W 0,39 A	895426.0 W4D420 (ebm) 460 V-Y/60 Hz 265W 0,62 A	
auto-transformer -T12 Block	---	---	---	7.5452.00340 AT3/x 558 VA 575 V/460 V	
fuse -12FU Gould	---	---	---	(3x) - 7.3161.00390 ATQR 1 A - 600 V - class CC	
fuse socket -12FU Wöhner	---	---	---	3-pole - 7.3320.00060 class CC-Ambus Easy Switch	
contactor -Q1 / -Q2	7.8740.00380 3RT2027-1AK60	7.8740.00400 3RT2035-1AK60	7.8740.00400 3RT2035-1AK60	7.8740.00400 3RT2035-1AK60	KAESER KOMPRESSOREN
auxiliary switch	7.8740.05030 3RH2911-1HA20	7.8740.05030 3RH2911-1HA20	7.8740.05030 3RH2911-1HA20	7.8740.05030 3RH2911-1HA20	
auxiliary switch	---	---	---	---	
interference suppressor	7.8740.05140 3RT2926-1CC00	7.8740.05150 3RT2936-1CC00	7.8740.05150 3RT2936-1CC00	7.8740.05150 3RT2936-1CC00	
terminal	7.3140.05080 3RV2925-5EB	7.3140.05070 3RV2935-5E	7.3140.05070 3RV2935-5E	7.3140.05070 3RV2935-5E	
Phase rail	7.8681.0 3RV1915-1AB	7.3140.05270 3RA2933-3FA00	7.3140.05270 3RA2933-3FA00	7.3140.05270 3RA2933-3FA00	
contactor -Q3	7.8740.00360 3RT2025-1AK60	7.8740.00370 3RT2026-1AK60	7.8740.00380 3RT2027-1AK60	7.8740.00380 3RT2027-1AK60	
auxiliary switch	---	---	---	---	
auxiliary switch	---	---	---	---	
interference suppressor	7.8740.05140 3RT2926-1CC00	7.8740.05140 3RT2926-1CC00	7.8740.05140 3RT2926-1CC00	7.8740.05140 3RT2926-1CC00	
wye bridge	7.3140.02070 3RT1926-4BA31	7.3140.02070 3RT1926-4BA31	7.3140.02070 3RT1926-4BA31	7.3140.02070 3RT1926-4BA31	
motor cable -W19.1/19.2	4x12 AWG / 4G4 mm ² 600 V - 90°C	4x10 AWG / 4G6 mm ² 600 V - 90°C	4x8 AWWG / 4G10 mm ² 600 V - 90°C	4x8 AWWG / 4G10 mm ² 600 V - 90°C	Date 14.12.2020
connection -W11 -W13 -W14	10 AWG / 6 mm ² Phase rail Phase rail 600 V - 90°C	8 AWG / 10 mm ² Phase rail 14 AWG / 2,5 mm ² 600 V - 90°C	6 AWG / 16 mm ² Phase rail 10 AWG / 6 mm ² 600 V - 90°C	6 AWG / 16 mm ² Phase rail 10 AWG / 6 mm ² 600 V - 90°C	M.Zeesh M.Zeesh
Fortsetzung: nächstes Blatt					Date Name Date
					C Change

model	performance-related components				page 22 28 Sht
	25 hp EB (18,5 kW)	30 hp EB (22 kW)	40 hp EB+ FB-C (30 kW)	40 hp FB-S (30 kW)	
machine power supply	575 V ±10 %, 60 Hz	575 V ±10 %, 60 Hz	575 V ±10 %, 60 Hz	575 V ±10 %, 60 Hz	= + UXB-STC-U3020.06
supply terminals -X0: U1/V1/W1/GRD	894864.00010	894864.00010	3x 895314.0 3x 895314.00010 4x 895314.00040	3x 895314.0 3x 895314.00010 4x 895314.00040	
Handling Stripped length X connection	14-4 AWG / 2,5-16 mm ² Wieland fig. 2, Sht. 11 16 mm fig. 1, Sht. 12	14-4 AWG / 2,5-16 mm ² Wieland fig. 2, Sht. 11 16 mm fig. 1, Sht. 12	8-1 AWG / 10-50 mm ² Wago fig. 3, Sht. 11 30 mm fig. 2, Sht. 12	8-1 AWG / 10-50 mm ² Wago fig. 3, Sht. 11 30 mm fig. 2, Sht. 12	electrical component parts list 575V EB+FB performance-related components
supply					

PRELIMINARY
Subject to Revision



c	Date	14.12.2020
b	Drawn	M.Zeesh
a	Released	M.Zeesh
C Change	Date	
	Name	

model	performance-related components				page 23 28 Sht
	50 hp EB+ FB-C (37 kW)	50 hp FB-S (37 kW)	60 hp EB+ FB-C (45 kW)	60 hp FB-S (45 kW)	
machine power supply	575 V ±10 %, 60 Hz	575 V ±10 %, 60 Hz	575 V ±10 %, 60 Hz	575 V ±10 %, 60 Hz	= + UXB-STC-U3020.06
overload relay -B21 Siemens	7.8741.00090 3RB3036-1UB0 12,5-50 A / S2 setting: 26,6 A NEC 430.32(C) incremental setting: 30 A	7.8741.00090 3RB3036-1UB0 12,5-50 A / S2 setting: 26,6 A NEC 430.32(C) incremental setting: 30 A	7.8741.00090 3RB3036-1UB0 12,5-50 A / S2 setting: 32,9 A NEC 430.32(C) incremental setting: 37,2 A	7.8741.00090 3RB3036-1UB0 12,5-50 A / S2 setting: 32,9 A NEC 430.32(C) incremental setting: 37,2 A	
overload relay soundproofing casing -B24 Siemens	7.8741.00020 3RB3016-1NB0 0,32-1,25 A / S00 setting: 0,36 A NEC 430.32(C) incremental setting: 0,41 A	7.8741.00020 3RB3016-1NB0 0,32-1,25 A / S00 setting: 0,57 A NEC 430.32(C) incremental setting: 0,64 A	7.8741.00020 3RB3016-1NB0 0,32-1,25 A / S00 setting: 0,36 A NEC 430.32(C) incremental setting: 0,41 A	7.8741.00020 3RB3016-1NB0 0,32-1,25 A / S00 setting: 0,57 A NEC 430.32(C) incremental setting: 0,64 A	electrical component parts list 575V EB+FB performance-related components
Blower motor -M1 Siemens	894978.10500 575V-D/60 Hz	894978.10500 575V-D/60 Hz	894979.10500 575V-D/60 Hz	894979.10500 575V-D/60 Hz	
vent motor soundproofing casing -M4 Sodeca/ebm	895040.00010 HC-31-2T / H-I-E 575 V-Y/60 Hz 180W 0,39 A	895426.0 W4D420 (ebm) 460 V-Y/60 Hz 265W 0,62 A	895040.00010 HC-31-2T / H-I-E 575 V-Y/60 Hz 180W 0,39 A	895426.0 W4D420 (ebm) 460 V-Y/60 Hz 265W 0,62 A	
auto-transformer -T12 Block	---	7.5452.00340 AT3/x 558 VA 575 V/460 V	---	7.5452.00340 AT3/x 558 VA 575 V/460 V	
fuse -12FU Gould	---	(3x) - 7.3161.00390 ATQR 1 A - 600 V - class CC	---	(3x) - 7.3161.00390 ATQR 1 A - 600 V - class CC	
fuse socket -12FU Wöhner	---	3-pole - 7.3320.00060 class CC-Ambus Easy Switch	---	3-pole - 7.3320.00060 class CC-Ambus Easy Switch	
contactor -Q1 / -Q2	7.8740.00400 3RT2035-1AK60	7.8740.00400 3RT2035-1AK60	7.8740.00410 3RT2036-1AK60	7.8740.00410 3RT2036-1AK60	KAESER KOMPRESSOREN
auxiliary switch	7.8740.05030 3RH2911-1HA20	7.8740.05030 3RH2911-1HA20	7.8740.05030 3RH2911-1HA20	7.8740.05030 3RH2911-1HA20	
auxiliary switch	---	---	---	---	
interference suppressor	7.8740.05150 3RT2936-1CC00	7.8740.05150 3RT2936-1CC00	7.8740.05150 3RT2936-1CC00	7.8740.05150 3RT2936-1CC00	
terminal	7.3140.05070 3RV2935-5E	7.3140.05070 3RV2935-5E	7.3140.05070 3RV2935-5E	7.3140.05070 3RV2935-5E	
Phase rail	7.3140.05270 3RA2933-3FA00	7.3140.05270 3RA2933-3FA00	7.3140.05270 3RA2933-3FA00	7.3140.05270 3RA2933-3FA00	
contactor -Q3	7.8740.00400 3RT2035-1AK60	7.8740.00400 3RT2035-1AK60	7.8740.00400 3RT2035-1AK60	7.8740.00400 3RT2035-1AK60	
auxiliary switch	---	---	---	---	
auxiliary switch	---	---	---	---	
interference suppressor	7.8740.05150 3RT2936-1CC00	7.8740.05150 3RT2936-1CC00	7.8740.05150 3RT2936-1CC00	7.8740.05150 3RT2936-1CC00	
wye bridge	7.3140.01170 3RT1936-4BA31	7.3140.01170 3RT1936-4BA31	7.3140.01170 3RT1936-4BA31	7.3140.01170 3RT1936-4BA31	
motor cable -W19.1/19.2	4x8 AWWG / 4G10 mm² 600 V - 90°C	4x8 AWWG / 4G10 mm² 600 V - 90°C	4x8 AWWG / 4G10 mm² 600 V - 90°C	4x8 AWWG / 4G10 mm² 600 V - 90°C	Date 14.12.2020 M.Zeesh M.Zeesh
connection -W11 -W13 -W14	6 AWG / 16 mm² Phase rail 600 V - 90°C	6 AWG / 16 mm² Phase rail 600 V - 90°C	4 AWG / 25 mm² Phase rail 600 V - 90°C	4 AWG / 25 mm² Phase rail 600 V - 90°C	
Fortsetzung: nächstes Blatt					

model	performance-related components				page 24 28 Sht
	50 hp EB+ FB-C (37 kW)	50 hp FB-S (37 kW)	60 hp EB+ FB-C (45 kW)	60 hp FB-S (45 kW)	
machine power supply	575 V ±10 %, 60 Hz	575 V ±10 %, 60 Hz	575 V ±10 %, 60 Hz	575 V ±10 %, 60 Hz	= + UXB-STC-U3020.06
supply terminals -X0: U1/V1/W1/GRD	3x 895314.0 3x 895314.00010 4x 895314.00040 8-1 AWG / 10-50 mm ² Wago	3x 895314.0 3x 895314.00010 4x 895314.00040 8-1 AWG / 10-50 mm ² Wago	3x 895314.0 3x 895314.00010 4x 895314.00040 8-1 AWG / 10-50 mm ² Wago	3x 895314.0 3x 895314.00010 4x 895314.00040 8-1 AWG / 10-50 mm ² Wago	
Handling Stripped length X	fig. 3, Sht. 11 30 mm	fig. 3, Sht. 11 30 mm	fig. 3, Sht. 11 30 mm	fig. 3, Sht. 11 30 mm	electrical component parts list 575V EB+FB performance-related components
supply connection	fig. 2, Sht. 12	fig. 2, Sht. 12	fig. 2, Sht. 12	fig. 2, Sht. 12	

PRELIMINARY
Subject to Revision

KAESER
KOMPRESSOREN

Date	14.12.2020
Drawn	M.Zeesh
Released	M.Zeesh

C Change	Date	Name

model	performance-related components					page 25 28 Sht
	75 hp EB+ FB-C (55 kW)	75 hp FB-S (55 kW)	100 hp EB-C (75 kW)	100 hp FB-C (75 kW)	100 hp FB-S (75 kW)	
machine power supply	575 V ±10 %, 60 Hz	575 V ±10 %, 60 Hz	575 V ±10 %, 60 Hz	575 V ±10 %, 60 Hz	575 V ±10 %, 60 Hz	= + UXB-STC-U3020.06
overload relay -B21 Siemens	7.8741.00100 3RB3036-1WB0 20-80 A / S2 setting: 39,1 A NEC 430.32(C) incremental setting: 44,2 A	7.8741.00100 3RB3036-1WB0 20-80 A / S2 setting: 39,1 A NEC 430.32(C) incremental setting: 44,2 A	7.8741.00100 3RB3036-1WB0 20-80 A / S2 setting: 53,6 A NEC 430.32(C) incremental setting: 60,6 A	7.8741.00100 3RB3036-1WB0 20-80 A / S2 setting: 53,6 A NEC 430.32(C) incremental setting: 60,6 A	7.8741.00100 3RB3036-1WB0 20-80 A / S2 setting: 53,6 A NEC 430.32(C) incremental setting: 60,6 A	
overload relay soundproofing casing -B24 Siemens	7.8741.00020 3RB3016-1NB0 0,32-1,25 A / S00 setting: 0,36 A NEC 430.32(C) incremental setting: 0,41 A	7.8741.00020 3RB3016-1NB0 0,32-1,25 A / S00 setting: 0,57 A NEC 430.32(C) incremental setting: 0,64 A	7.8741.00020 3RB3016-1NB0 0,32-1,25 A / S00 setting: 0,36 A NEC 430.32(C) incremental setting: 0,41 A	7.8741.00020 3RB3016-1NB0 0,32-1,25 A / S00 setting: 0,36 A NEC 430.32(C) incremental setting: 0,41 A	7.8741.00020 3RB3016-1NB0 0,32-1,25 A / S00 setting: 0,57 A NEC 430.32(C) incremental setting: 0,64 A	
Blower motor -M1 Siemens	894717.10500 575V-D/60 Hz	894717.10500 575V-D/60 Hz	894719.10500 575V-D/60 Hz	894719.10500 575V-D/60 Hz	894719.10500 575V-D/60 Hz	electrical component parts list 575V EB+FB performance-related components
vent motor soundproofing casing -M4 Sodeca/ebm	895040.00010 HC-31-2T / H-I-E 575 V-Y/60 Hz 180W 0,39 A	895426.0 W4D420 (ebm) 460 V-Y/60 Hz 265W 0,62 A	895040.00010 HC-31-2T / H-I-E 575 V-Y/60 Hz 180W 0,39 A	895040.00010 HC-31-2T / H-I-E 575 V-Y/60 Hz 180W 0,39 A	895426.0 W4D420 (ebm) 460 V-Y/60 Hz 265W 0,62 A	
auto-transformer -T12 Block	---	7.5452.00340 AT3/x 558 VA 575 V/460 V	---	---	7.5452.00340 AT3/x 558 VA 575 V/460 V	
fuse -12FU Gould	---	(3x) - 7.3161.00390 ATQR 1 A - 600 V - class CC	---	---	(3x) - 7.3161.00390 ATQR 1 A - 600 V - class CC	
fuse socket -12FU Wöhner	---	3-pole - 7.3320.00060 class CC-Ambus Easy Switch	---	---	3-pole - 7.3320.00060 class CC-Ambus Easy Switch	
contactor -Q1 / -Q2	7.8740.00400 3RT2035-1AK60	7.8740.00400 3RT2035-1AK60	7.8740.00430 3RT2038-1AK60	7.8740.00430 3RT2038-1AK60	7.8740.00430 3RT2038-1AK60	KAESER KOMPRESSOREN
auxiliary switch	7.8740.05030 3RH2911-1HA20	7.8740.05030 3RH2911-1HA20	7.8740.05030 3RH2911-1HA20	7.8740.05030 3RH2911-1HA20	7.8740.05030 3RH2911-1HA20	
auxiliary switch	7.8740.05150 3RT2936-1CC00	7.8740.05150 3RT2936-1CC00	7.8740.05150 3RT2936-1CC00	7.8740.05150 3RT2936-1CC00	7.8740.05150 3RT2936-1CC00	
interference suppressor	7.3140.05070 3RV2935-5E	7.3140.05070 3RV2935-5E	7.3140.05070 3RV2935-5E	7.3140.05070 3RV2935-5E	7.3140.05070 3RV2935-5E	
terminal	7.3140.05270 3RA2933-3FA00	7.3140.05270 3RA2933-3FA00	7.3140.05270 3RA2933-3FA00	7.3140.05270 3RA2933-3FA00	7.3140.05270 3RA2933-3FA00	
Phase rail	---	---	---	---	---	
contactor -Q3	7.8740.00400 3RT2035-1AK60	7.8740.00400 3RT2035-1AK60	7.8740.00400 3RT2035-1AK60	7.8740.00400 3RT2035-1AK60	7.8740.00400 3RT2035-1AK60	
auxiliary switch	7.8740.05150 3RT2936-1CC00	7.8740.05150 3RT2936-1CC00	7.8740.05150 3RT2936-1CC00	7.8740.05150 3RT2936-1CC00	7.8740.05150 3RT2936-1CC00	
auxiliary switch	7.3140.01170 3RT1936-4BA31	7.3140.01170 3RT1936-4BA31	7.3140.01170 3RT1936-4BA31	7.3140.01170 3RT1936-4BA31	7.3140.01170 3RT1936-4BA31	
interference suppressor	---	---	---	---	---	
wye bridge	---	---	---	---	---	
motor cable -W19.1/19.2	4x6 AWWG / 4G16 mm² 600 V - 90°C	4x6 AWWG / 4G16 mm² 600 V - 90°C	4x4 AWG / 4G25 mm² 600 V - 90°C	4x4 AWG / 4G25 mm² 600 V - 90°C	4x4 AWG / 4G25 mm² 600 V - 90°C	
connection -W11 -W13 -W14	2 AWG / 35 mm² Phase rail 600 V - 90°C	2 AWG / 35 mm² Phase rail 600 V - 90°C	1 AWG/50 mm² Phase rail 600 V - 90°C	1 AWG/50 mm² Phase rail 600 V - 90°C	1 AWG/50 mm² Phase rail 600 V - 90°C	Date 14.12.2020 Drawn M.Zeesh Released M.Zeesh Name Date
Fortsetzung: nächstes Blatt						

model	performance-related components					page 26 28 Sht
	75 hp EB+ FB-C (55 kW)	75 hp FB-S (55 kW)	100 hp EB-C (75 kW)	100 hp FB-C (75 kW)	100 hp FB-S (75 kW)	
machine power supply	575 V ±10 %, 60 Hz	575 V ±10 %, 60 Hz	575 V ±10 %, 60 Hz	575 V ±10 %, 60 Hz	575 V ±10 %, 60 Hz	= + UXB-STC-U3020.06
supply terminals -X0: U1/V1/W1/PE Handling Torque Stripped length X	3x 895314.0 3x 895314.00010 4x 895314.00040 8-1 AWG / 10-50 mm ² Wago fig. 3, Sht. 11 --- 30 mm	3x 895314.0 3x 895314.00010 4x 895314.00040 8-1 AWG / 10-50 mm ² Wago fig. 3, Sht. 11 --- 30 mm	6x 894385.0 (Wago) 3x 894385.00030 3x 894385.00040 4-4/0 AWG / 25-95 mm ² Wago fig. 3, Sht. 11 --- 36 mm	3x 894385.0 3x 894385.00010 4x 894385.00040 4-4/0 AWG / 25-95 mm ² Wago fig. 3, Sht. 11 --- 36 mm	3x 894385.0 3x 894385.00010 4x 894385.00040 4-4/0 AWG / 25-95 mm ² Wago fig. 3, Sht. 11 --- 36 mm	
PE-rail Torque Stripped length X	---	---	832489.00010 (PE) 133lb-in 25 mm + Conductor crimp pins fig. 3, Sht. 13	---	---	electrical component parts list 575V EB+FB performance-related components
supply connection	fig. 2, Sht. 12	fig. 2, Sht. 12	fig. 2, Sht. 12	fig. 2, Sht. 12	fig. 2, Sht. 12	

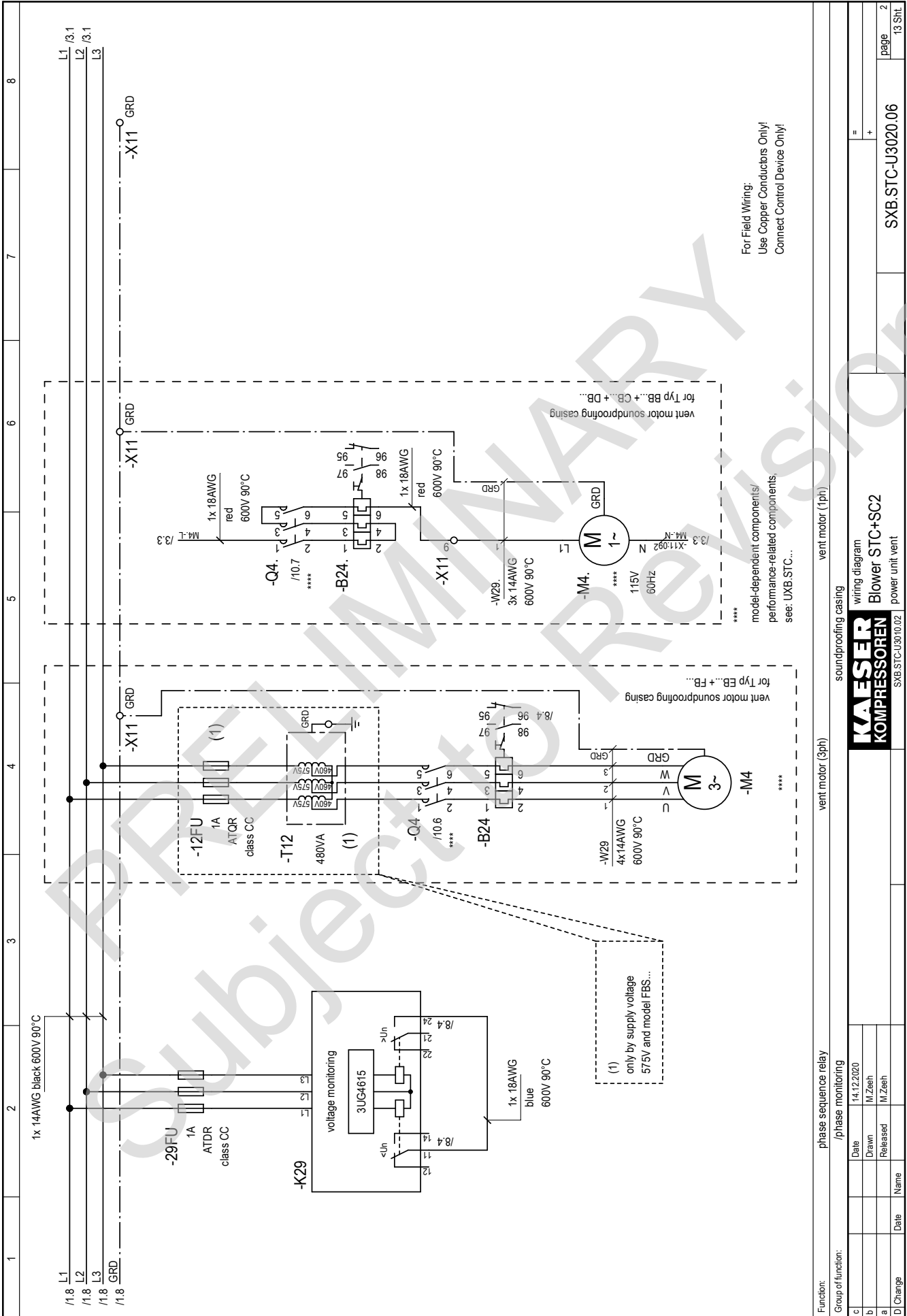
PRELIMINARY
Subject to Revision

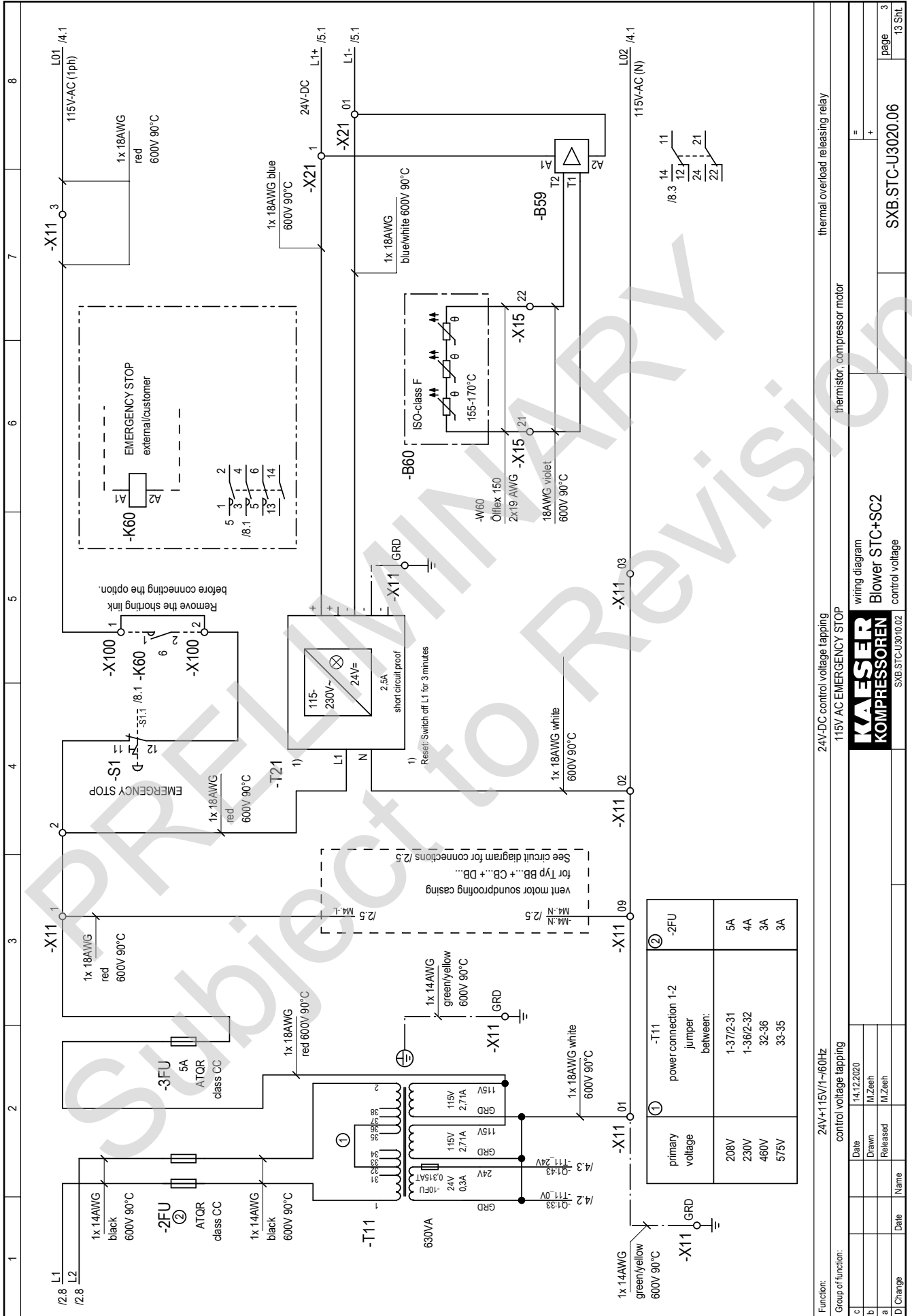


c	Date	14.12.2020
b	Drawn	M.Zeesh
a	Released	M.Zeesh
C	Change	
	Name	
	Date	

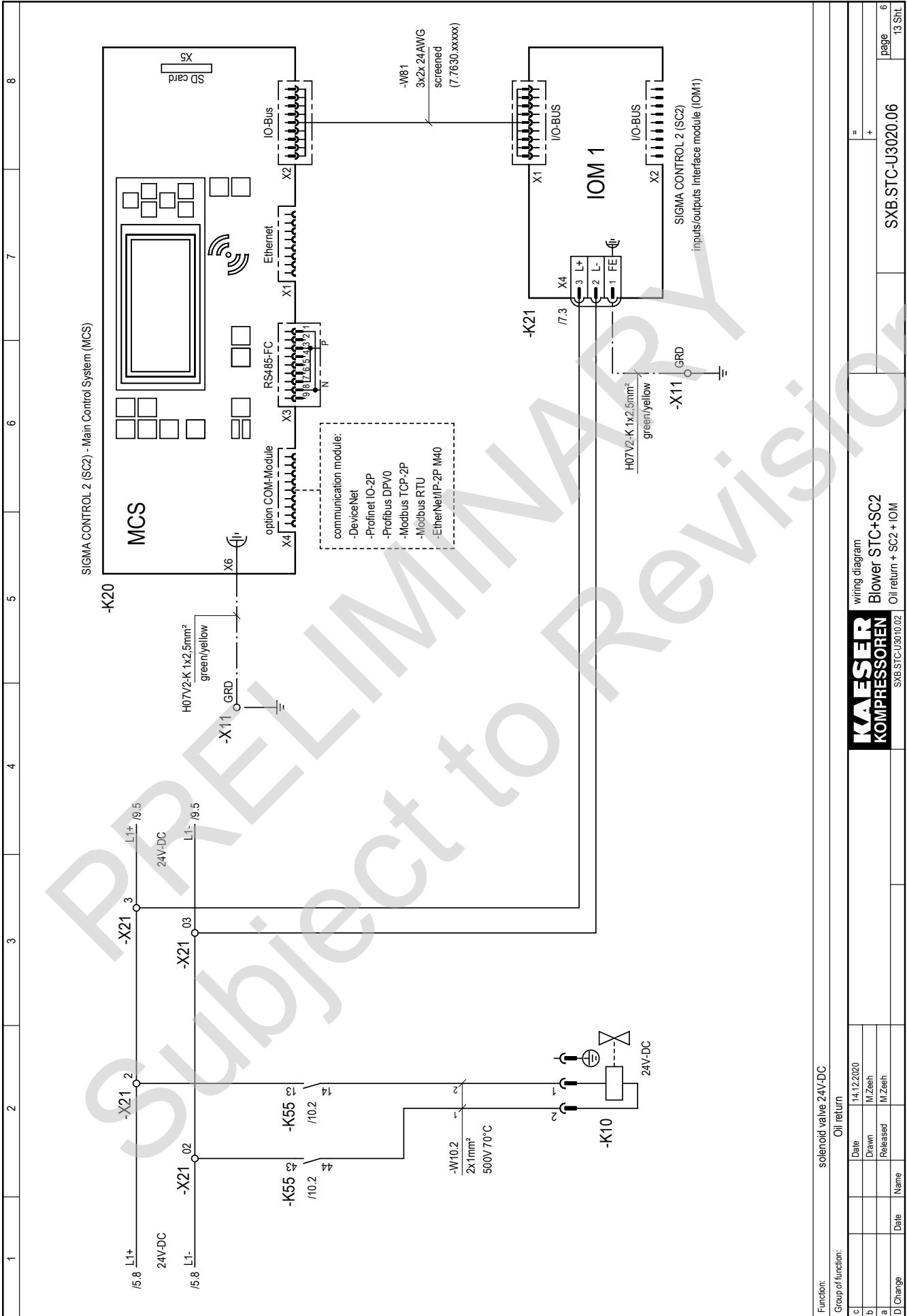
model	performance-related components					page 27 28 Sht
	125 hp FB-C (90 kW)	125 hp FB-S (90 kW)	150 hp FB-C (110 kW)	150 hp FB-S (110 kW)	175 hp FB (132 kW)	
machine power supply	575 V ±10 %, 60 Hz	575 V ±10 %, 60 Hz	575 V ±10 %, 60 Hz	575 V ±10 %, 60 Hz	575 V ±10 %, 60 Hz	= + UXB-STC-U3020.06
overload relay -B21 Siemens	7.6873.00240 3RB2056-1FW2 50-200 A / S6 setting: 67,1 A NEC 430.32(C) incremental setting: 75,9 A	7.6873.00240 3RB2056-1FW2 50-200 A / S6 setting: 63,3 A NEC 430.32(C) incremental setting: 71,6 A	7.6873.00240 3RB2056-1FW2 50-200 A / S6 setting: 79,7 A NEC 430.32(C) incremental setting: 90,1 A	7.6873.00240 3RB2056-1FW2 50-200 A / S6 setting: 78,6 A NEC 430.32(C) incremental setting: 88,9 A	7.6873.00240 3RB2056-1FW2 50-200 A / S6 setting: 95,6 A NEC 430.32(C) incremental setting: 108,1 A	
overload relay soundproofing casing -B24 Siemens	7.8741.00020 3RB3016-1NB0 0,32-1,25 A / S00 setting: 0,36 A NEC 430.32(C) incremental setting: 0,41 A	7.8741.00020 3RB3016-1NB0 0,32-1,25 A / S00 setting: 0,57 A NEC 430.32(C) incremental setting: 0,64 A	7.8741.00020 3RB3016-1NB0 0,32-1,25 A / S00 setting: 0,36 A NEC 430.32(C) incremental setting: 0,41 A	7.8741.00020 3RB3016-1NB0 0,32-1,25 A / S00 setting: 0,57 A NEC 430.32(C) incremental setting: 0,64 A	7.8741.00020 3RB3016-1NB0 0,32-1,25 A / S00 setting: 0,36 A NEC 430.32(C) incremental setting: 0,41 A	
Blower motor -M1 Siemens	894723.10500 575V-D/60 Hz	894722.10500 575V-D/60 Hz	895025.10500 575V-D/60 Hz	894724.10500 575V-D/60 Hz	894726.10500 575V-D/60 Hz	electrical component parts list 575V FB performance-related components
vent motor soundproofing casing -M4 Sodeca/ebm	895040.00010 HC-31-2T / H-I-E 575 V-Y/60 Hz 180W 0,39 A	895426.0 W4D420 (ebm) 460 V-Y/60 Hz 265W 0,62 A	895040.00010 HC-31-2T / H-I-E 575 V-Y/60 Hz 180W 0,39 A	895426.0 W4D420 (ebm) 460 V-Y/60 Hz 265W 0,62 A	895040.00010 HC-31-2T / H-I-E 575 V-Y/60 Hz 180W 0,39 A	
auto-transformer -T12 Block	---	7.5452.00340 AT3/x 558 VA 575 V/460 V	---	7.5452.00340 AT3/x 558 VA 575 V/460 V	---	
fuse -12FU Gould	---	(3x) - 7.3161.00390 ATQR 1 A - 600 V - class CC	---	(3x) - 7.3161.00390 ATQR 1 A - 600 V - class CC	---	
fuse socket -12FU Wöhner	---	3-pole (2x) - 7.3320.00060 class CC-Ambus Easy Switch	---	3-pole (2x) - 7.3320.00060 class CC-Ambus Easy Switch	---	
contactor -Q1 / -Q2 Siemens	7.3140.02140 3RT1054-1AF36 7.3140.01690 3RH1921-1CA10 7.3140.02030 3RH1921-1CA01 7.3140.02020 3RT1956-1CC00	7.3140.02140 3RT1054-1AF36 7.3140.01690 3RH1921-1CA10 7.3140.02030 3RH1921-1CA01 7.3140.02020 3RT1956-1CC00	7.3140.02140 3RT1054-1AF36 7.3140.01690 3RH1921-1CA10 7.3140.02030 3RH1921-1CA01 7.3140.02020 3RT1956-1CC00	7.3140.02140 3RT1054-1AF36 7.3140.01690 3RH1921-1CA10 7.3140.02030 3RH1921-1CA01 7.3140.02020 3RT1956-1CC00	7.3140.02140 3RT1054-1AF36 7.3140.01690 3RH1921-1CA10 7.3140.02030 3RH1921-1CA01 7.3140.02020 3RT1956-1CC00	
auxiliary switch	---	---	---	---	---	
auxiliary switch	---	---	---	---	---	
interference suppressor	---	---	---	---	---	
terminal	---	---	---	---	---	
Phase rail	---	---	---	---	---	
contactor -Q3 Siemens	7.8740.00410 3RT2036-1AK60 7.8740.05150 3RT2936-1CC00 7.3140.01170 3RT1936-4BA31	7.8740.00410 3RT2036-1AK60 7.8740.05150 3RT2936-1CC00 7.3140.01170 3RT1936-4BA31	7.8740.00440 3RT2045-1AK60 7.8740.05170 3RT2946-1CC00 7.3140.00940 3RT1946-4BA31	7.8740.00440 3RT2045-1AK60 7.8740.05170 3RT2946-1CC00 7.3140.00940 3RT1946-4BA31	7.8740.00440 3RT2045-1AK60 7.8740.05170 3RT2946-1CC00 7.3140.00940 3RT1946-4BA31	
auxiliary switch	---	---	---	---	---	
auxiliary switch	---	---	---	---	---	
interference suppressor	---	---	---	---	---	
wye bridge	---	---	---	---	---	
motor cable -W19.1/19.2	4x2 AWG / 4G35 mm ² 600 V - 90°C	4x2 AWG / 4G35 mm ² 600 V - 90°C	4x1 AWG / 4G50 mm ² 600 V - 90°C	4x1 AWG / 4G50 mm ² 600 V - 90°C	4x2/0 AWG / 4G70 mm ² 600 V - 90°C	
connection -W11 -W13 -W14	2 AWG / 35 mm ² 2 AWG / 35 mm ² 8 AWG / 10 mm ² 600 V - 90°C	2 AWG / 35 mm ² 2 AWG / 35 mm ² 8 AWG / 10 mm ² 600 V - 90°C	1 AWG / 50 mm ² 1 AWG / 50 mm ² 6 AWG / 16 mm ² 600 V - 90°C	1 AWG / 50 mm ² 1 AWG / 50 mm ² 6 AWG / 16 mm ² 600 V - 90°C	1 AWG / 50 mm ² 1 AWG / 50 mm ² 4 AWG / 25 mm ² 600 V - 90°C	
Fortsetzung: nächstes Blatt						

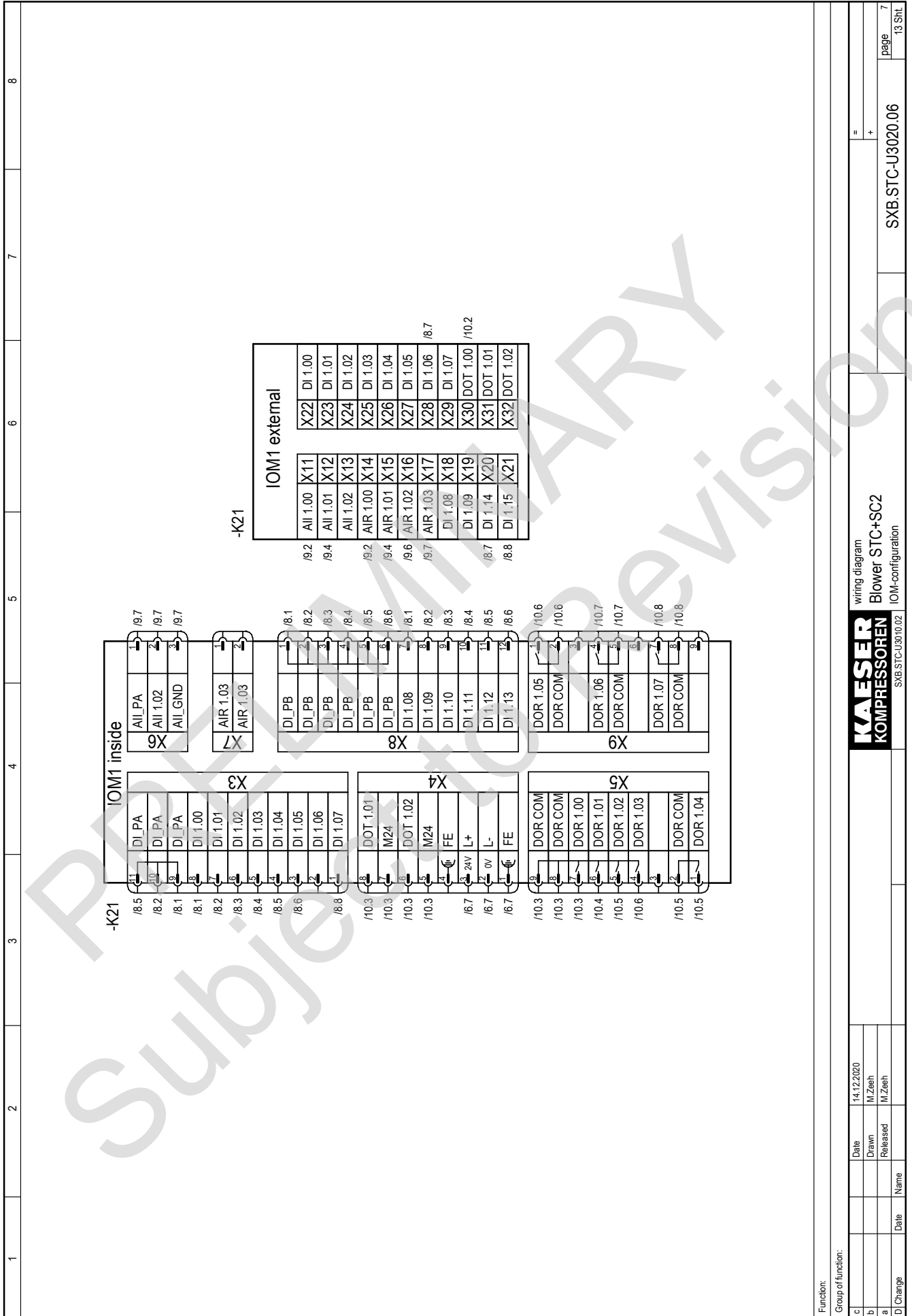
model	performance-related components					page 28 28 Sht	
	125 hp FB-C (90 kW)	125 hp FB-S (90 kW)	150 hp FB-C (110 kW)	150 hp FB-S (110 kW)	175 hp FB (132 kW)		
machine power supply	575 V ±10 %, 60 Hz	575 V ±10 %, 60 Hz	575 V ±10 %, 60 Hz	575 V ±10 %, 60 Hz	575 V ±10 %, 60 Hz	= + UXB-STC-U3020.06	
supply terminals -X0: U1/V1/W1 Handling Stripped length X	6x 894385.0 3x 894385.00030 3x 894385.00040 Wago 4-4/0 AWG / 25-95 mm ² fig. 3, Sht. 11 36 mm	6x 894385.0 3x 894385.00030 3x 894385.00040 Wago 4-4/0 AWG / 25-95 mm ² fig. 3, Sht. 11 36 mm	6x 894385.0 3x 894385.00030 3x 894385.00040 Wago 4-4/0 AWG / 25-95 mm ² fig. 3, Sht. 11 36 mm	6x 894385.0 3x 894385.00030 3x 894385.00040 Wago 4-4/0 AWG / 25-95 mm ² fig. 3, Sht. 11 36 mm	6x 894385.0 3x 894385.00030 3x 894385.00040 Wago 4-4/0 AWG / 25-95 mm ² fig. 3, Sht. 11 36 mm		
PE-rail -X0:PE Torque Stripped length X	832489.00010 15Nm 25 mm+ Conductor crimp pins	832489.00010 15Nm 25 mm+ Conductor crimp pins	832489.00010 15Nm 25 mm+ Conductor crimp pins	832489.00010 15Nm 25 mm+ Conductor crimp pins	832489.00010 15Nm 25 mm+ Conductor crimp pins		
supply -connection	fig. 3, Sht. 13	fig. 3, Sht. 13	fig. 3, Sht. 13	fig. 3, Sht. 13	fig. 3, Sht. 13		
<p style="text-align: center; font-size: 2em; opacity: 0.3; transform: rotate(-30deg);">PRELIMINARY Subject to Revision</p>							<p>electrical component parts list 575V FB performance-related components</p>
c	Date	14.12.2020					
b	Drawn	M.Zeesh					
a	Released	M.Zeesh					
	C Change						
	Name						
	Date						



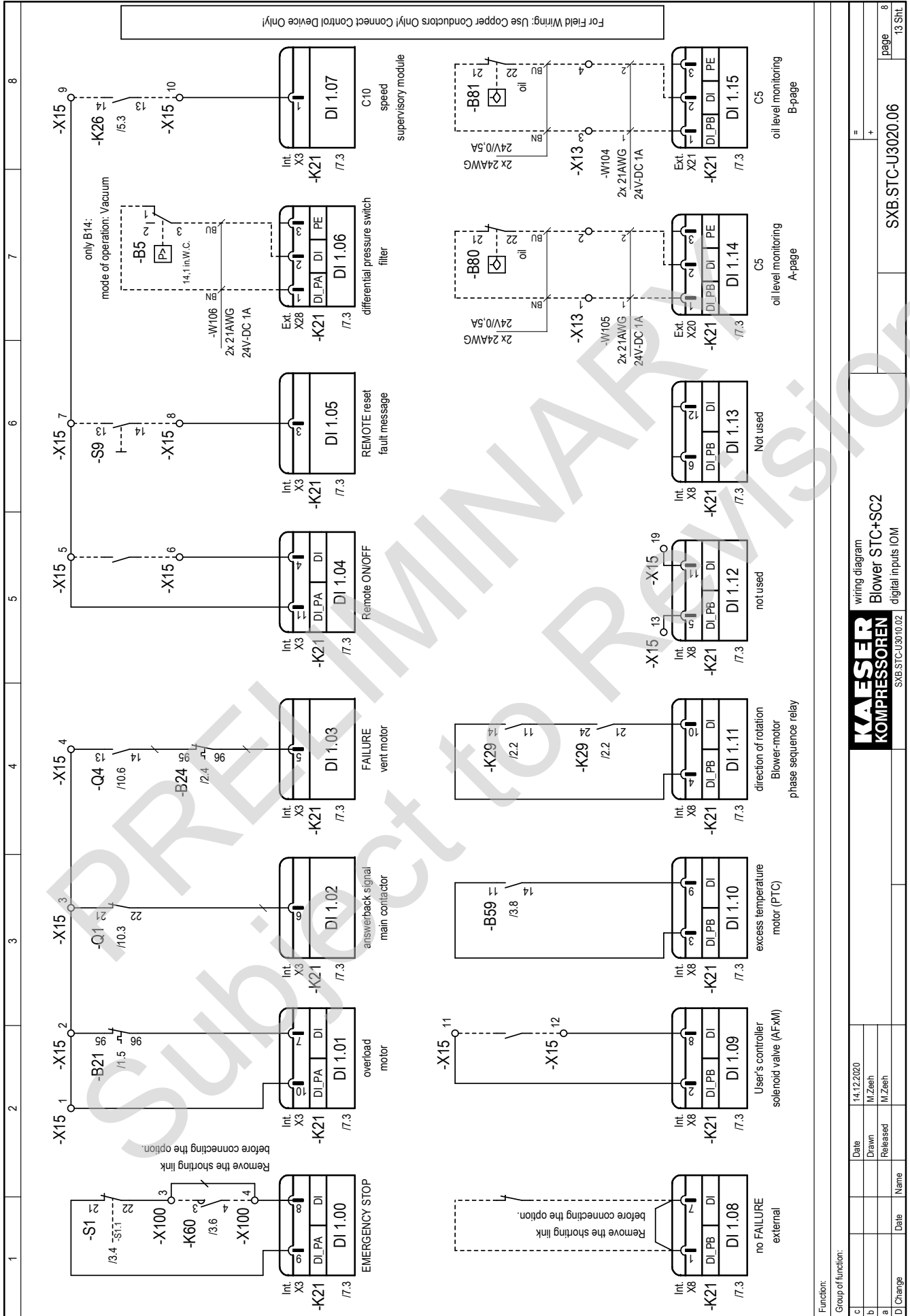


Function:		24V-115V/1~60Hz control voltage tapping		24V-DC control voltage tapping		thermal overload releasing relay	
Group of function:		115V AC EMERGENCY STOP		thermistor, compressor motor			
c	Date	14.12.2020					
b	Drawn	M.Zeesh					
a	Released	M.Zeesh					
D	Change	Date	Name				
			wiring diagram				
			Blower STC+SC2				
			control voltage				
			SXB.STC-U3010.02				
			SXB.STC-U3020.06				
			page	3			
			13 Sht				





KAESER KOMPRESSOREN		wiring diagram Blower STC+SC2 IOM-configuration		SX.B.STC-U3020.06	page 7
SX.B.STC-U3010.02		SX.B.STC-U3020.06		13 Sht	
Function:					
Group of function:					
c	Date	14.12.2020			
b	Drawn	M.Zeesh			
a	Released	M.Zeesh			
D	Change	Date	Name		



wiring diagram
Blower STC+SC2
digital inputs IOM

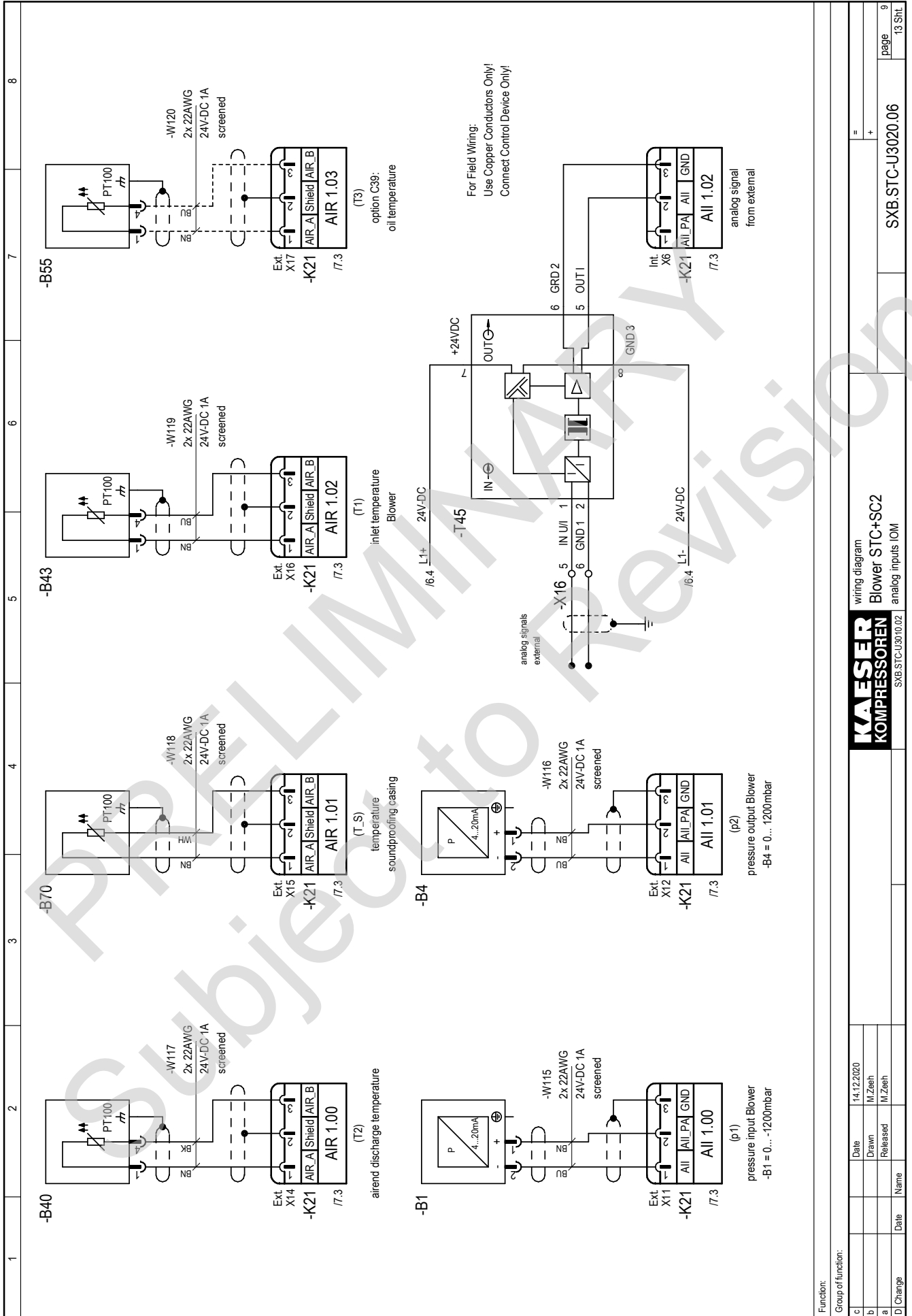
KAESER
KOMPRESSOREN

SXB.STC-U3010.02

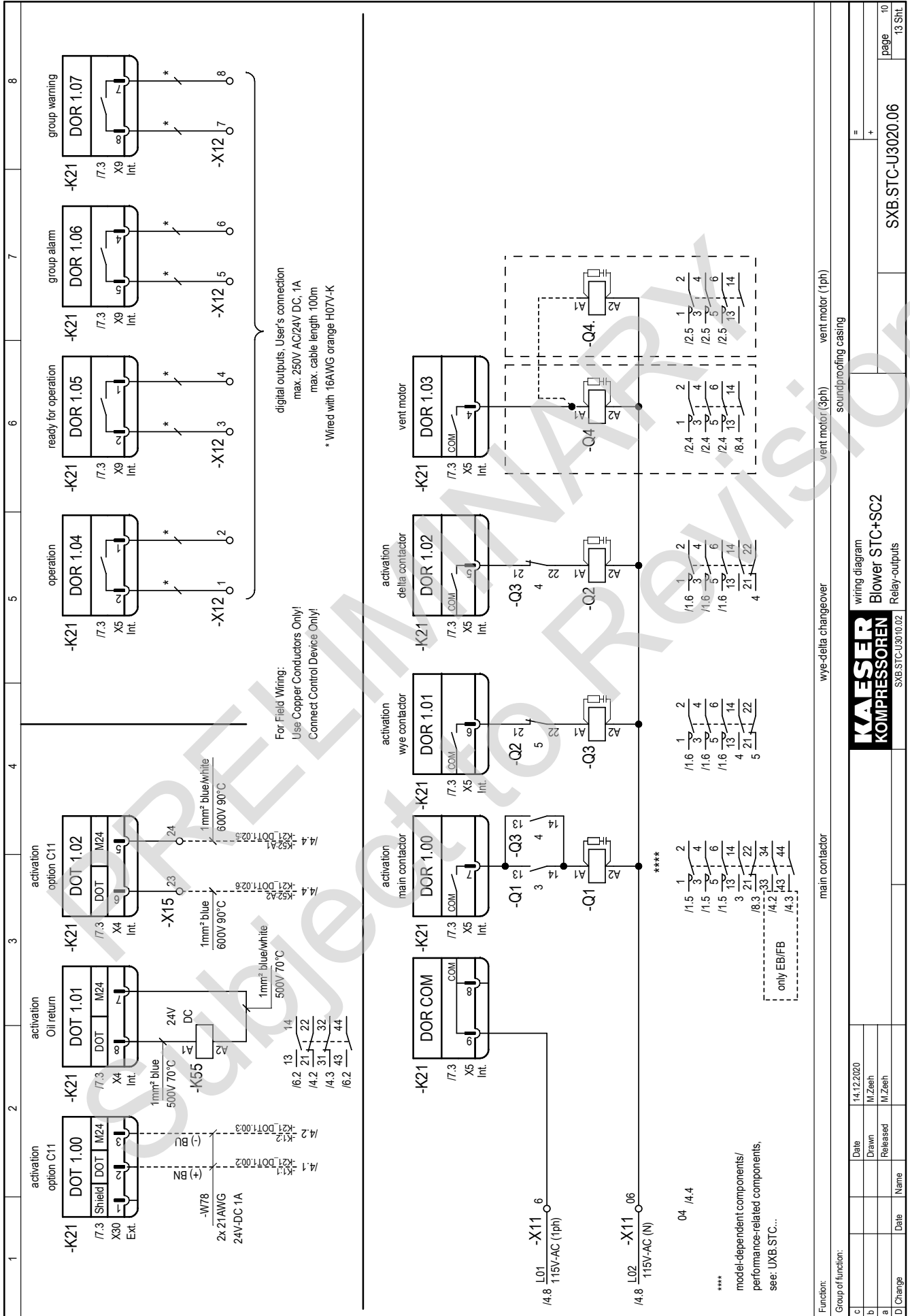
SXB.STC-U3020.06

page 8
13 Sht

Function:			
Group of function:	Date	14.12.2020	
c	Drawn	M.Zeeh	
b	Released	M.Zeeh	
a	Date		
d	Name		



Function:		wiring diagram		SX8-STC-U3020.06		page 9	
Group of function:		Blower STC+SC2		SX8-STC-U3020.02		13 Sht	
c	Date	14.12.2020	M.Zeih				
b	Drawn		M.Zeih				
a	Released		M.Zeih				
D	Change	Date	Name				



1 2 3 4 5 6 7 8

fig.: 1 Handling control line terminal

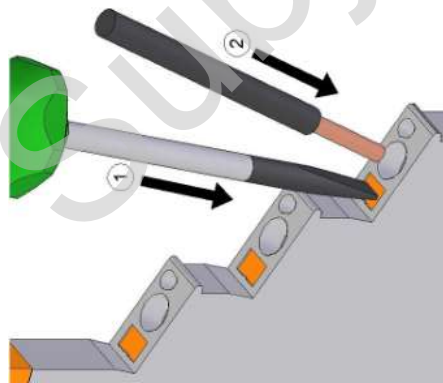


fig.: 2 Handling supply terminals

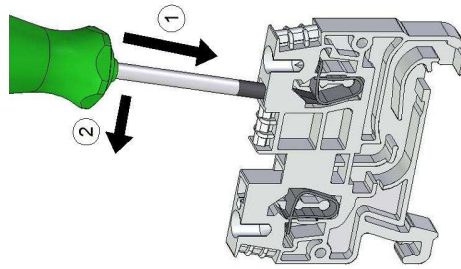
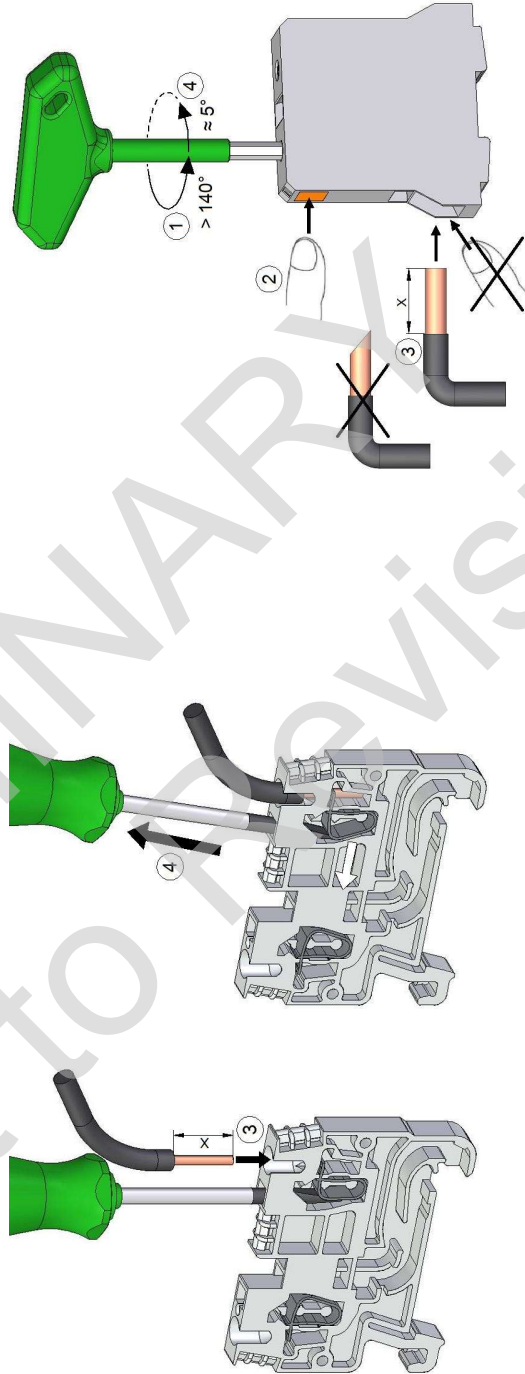


fig.: 3 Handling supply terminals



Function:		wiring diagram		=	
Group of function:		Blower STC+SC2		+	
c	Date	14.12.2020			
b	Drawn	M.Zeesh			
a	Released	M.Zeesh			
D	Change	Date	Name		
			SX.B.STC-U3020.06		
			page 11		
			13 Sht		

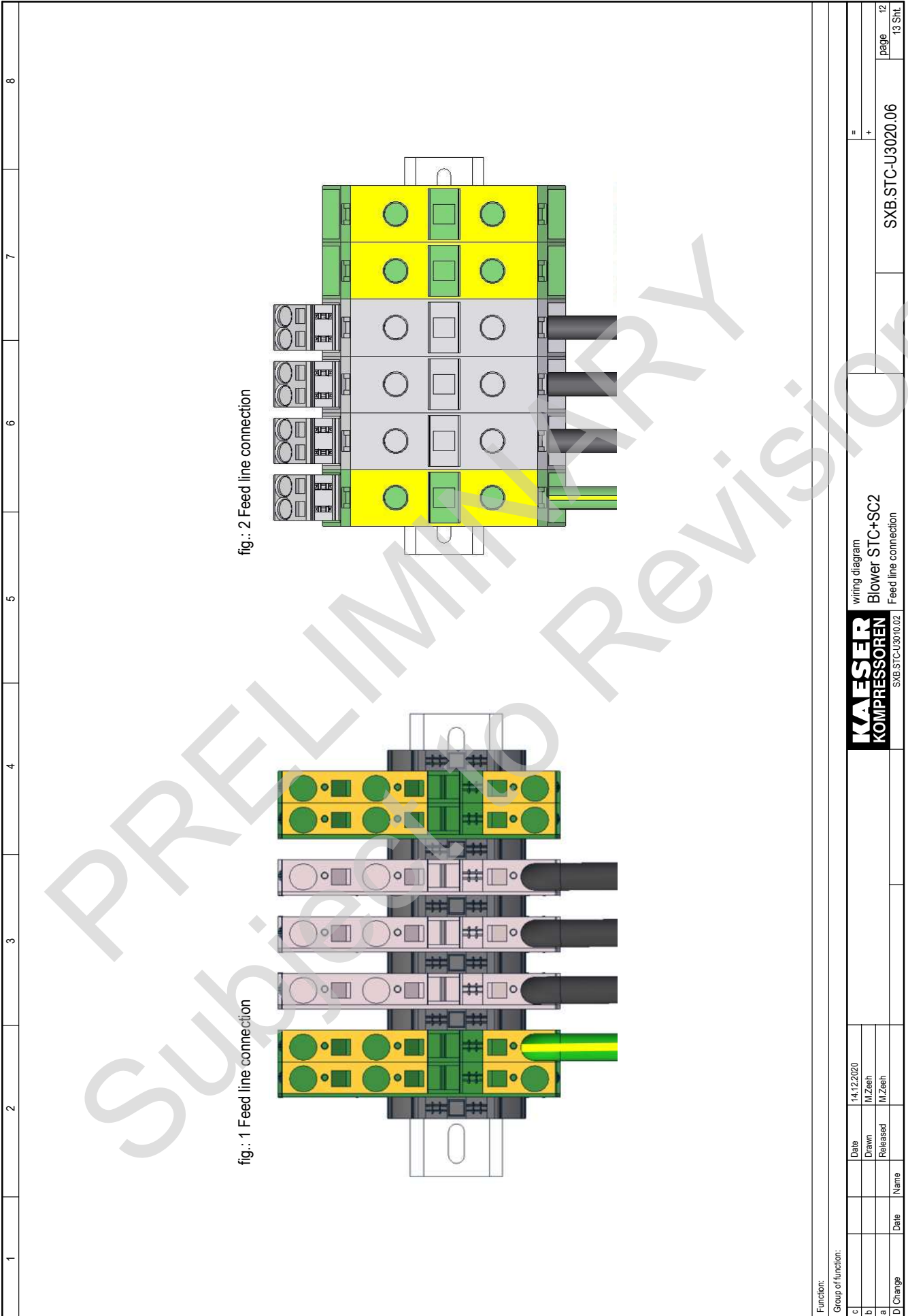
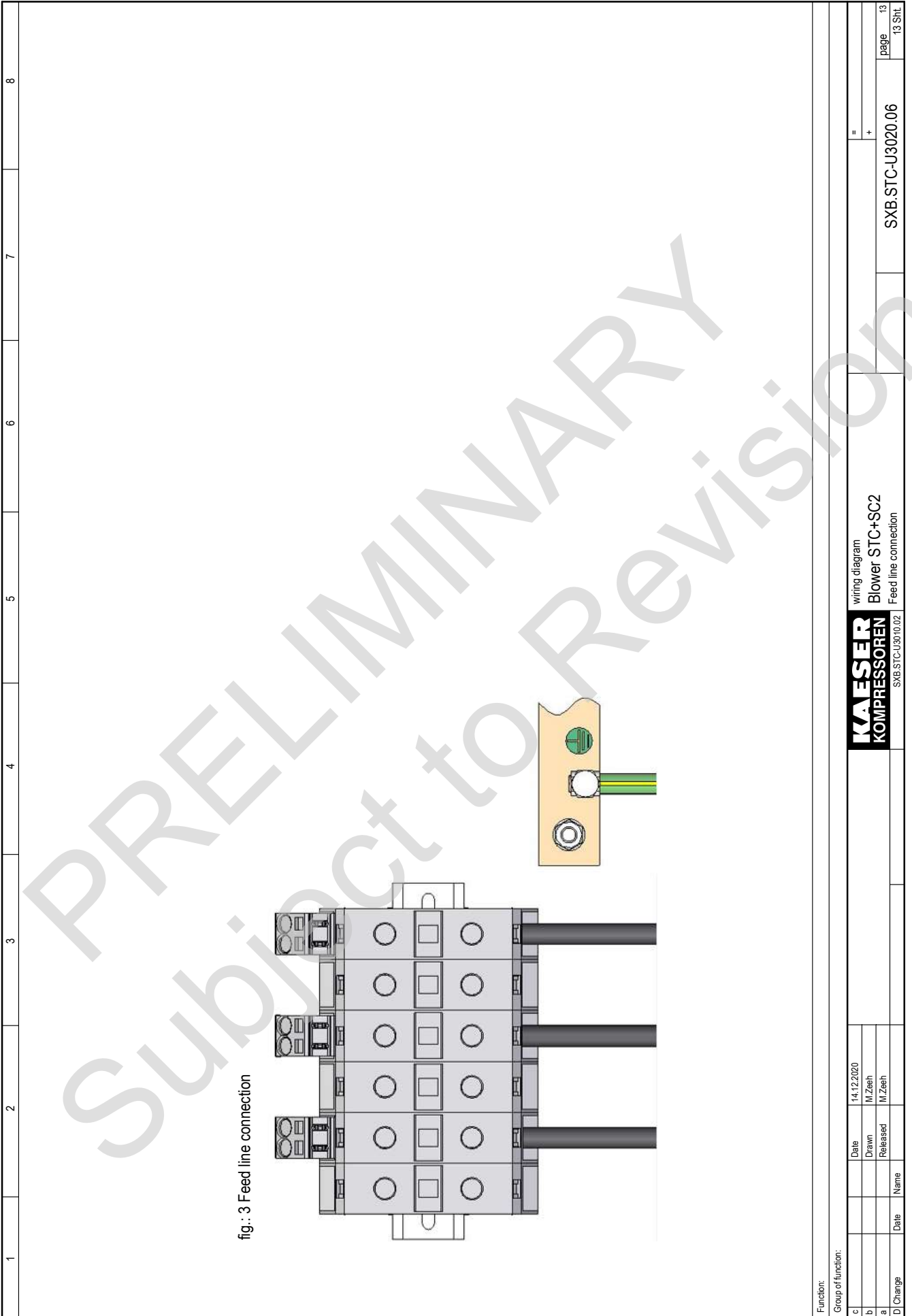


fig.: 2 Feed line connection

fig.: 1 Feed line connection

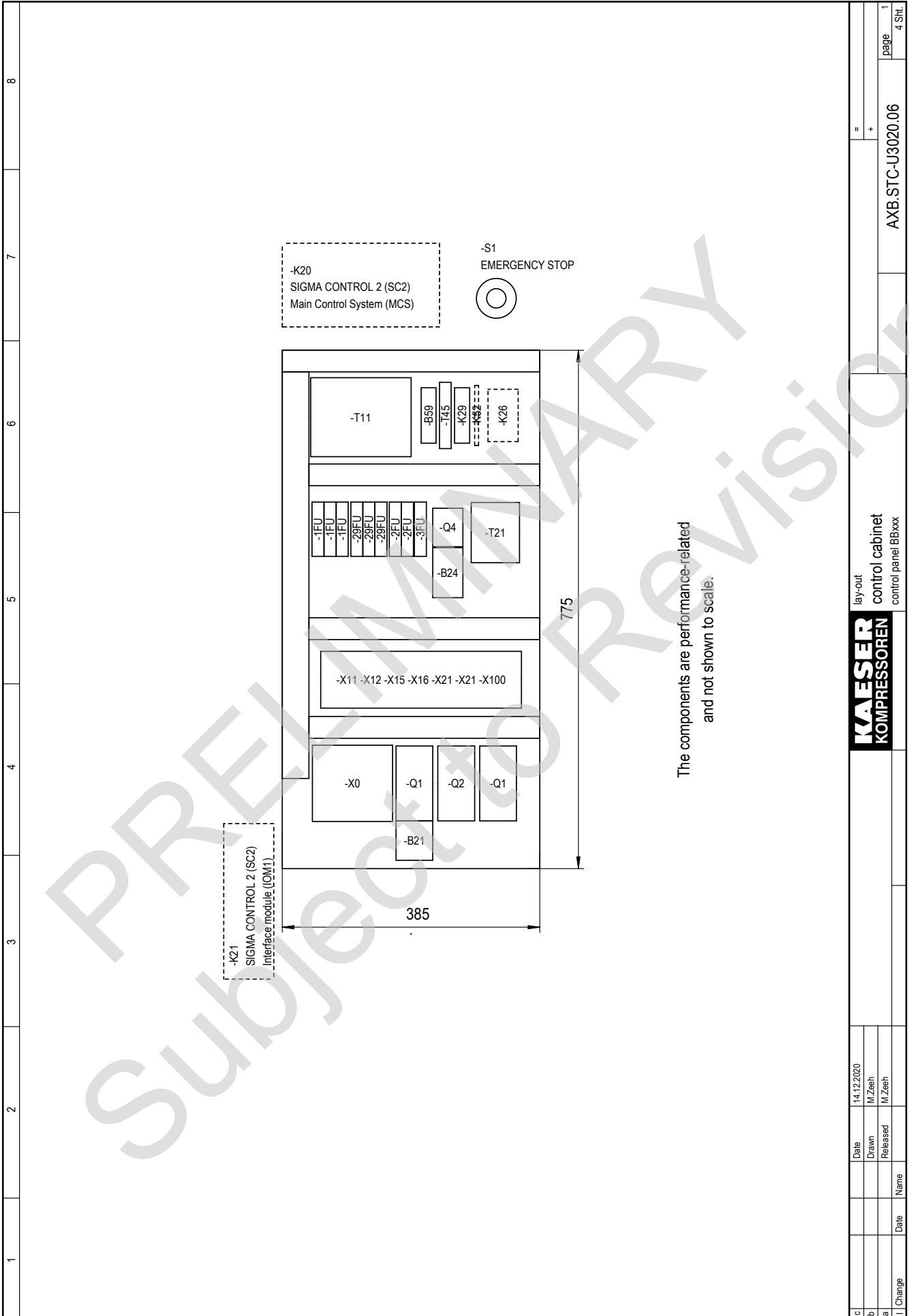
Function:		=		page		12	
Group of function:		+		SXB.STC-U3020.06		13 Sht	
wiring diagram		Blower STC+SC2		Feed line connection			
KAESER KOMPRESSOREN		SXB.STC-U3010.02					
c	Date	14.12.2020					
b	Drawn	M.Zeesh					
a	Released	M.Zeesh					
D	Change	Date	Name				



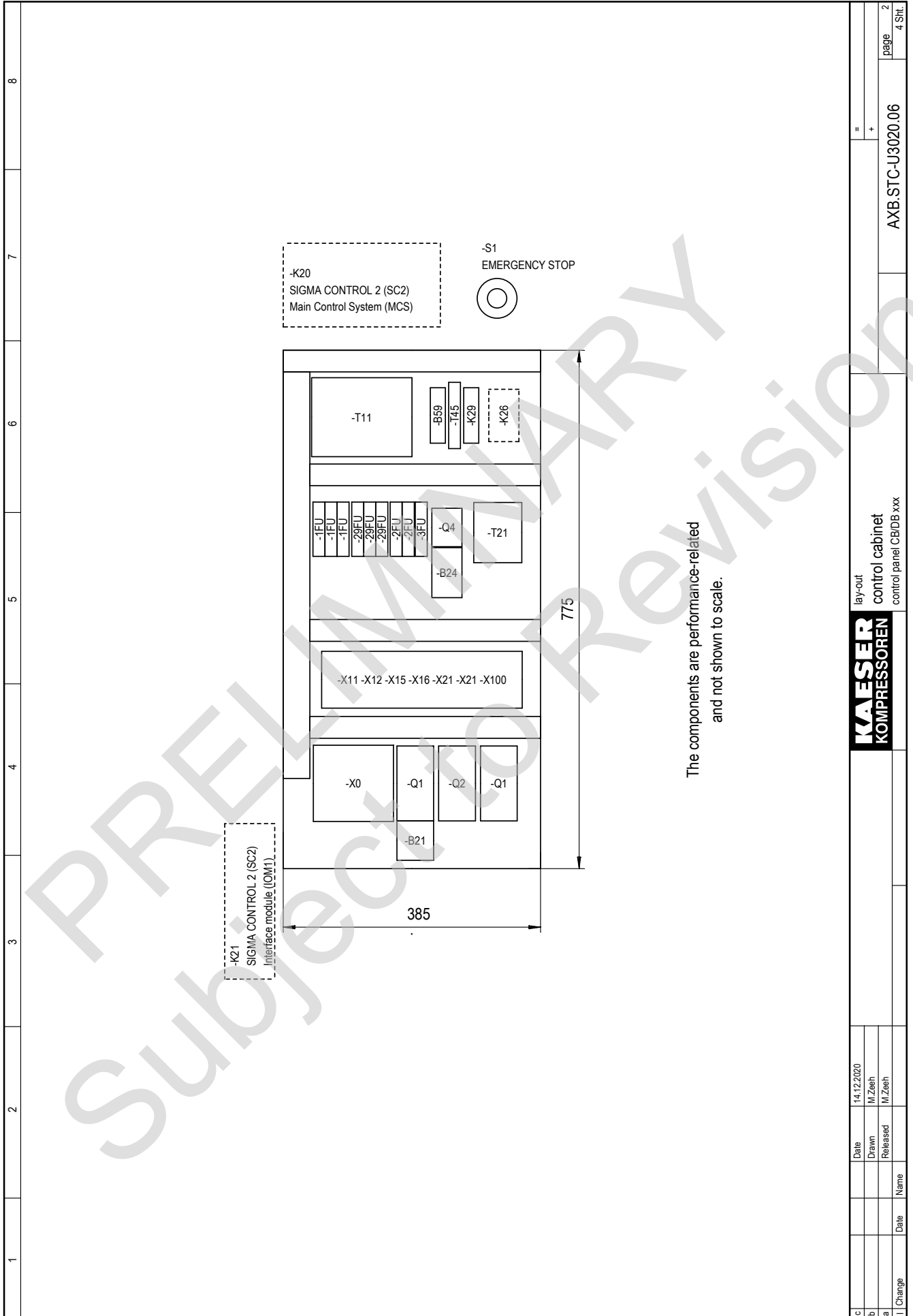
Function:		wiring diagram		=	
Group of function:		Blower STC+SC2		+	
c	Date	14.12.2020			
b	Drawn	M.Zeesh			
a	Released	M.Zeesh			
D	Change	Date	Name		
			SXB.STC-U3020.06		
			page 13		
			13 Sht		

terminal strip	terminal no.	link	terminal legend	jumper wire	location	name of device	connection	destination	terminal no.	connection	name of device	destination	
terminal strip: -X0 total 6 terminals	M1	GRD	GRD3	X11	GRD								
	M1	GRD	GRD2	unit frame	1,2								
	M1	GRD	GRD2	GRD	1,2								
terminal strip: -X11 total 26 terminals	M1	GRD	GRD3	unit frame	1								
	M1	GRD	GRD2	unit frame	1,1								
	M1	GRD	GRD2	unit frame	1,2								
	M1	GRD	GRD2	control panel	1,2								
	M1	GRD	GRD2		1,1								
	M1	GRD	GRD2		1,2								
	M1	GRD	GRD2		1,1								
	M1	GRD	GRD2		1,2								
	M1	GRD	GRD2		1,1								
	M1	GRD	GRD2		1,2								
terminal strip: -X11 total 26 terminals	M1	GRD	GRD3		1,6								
	M4	GRD	GRD		2,4								
	M4	GRD	GRD		2,6								
	M4	GRD	GRD		2,6								
	M4	GRD	GRD		2,6								
	M4	GRD	GRD		2,4								
	M4	GRD	GRD		2,6								
	M4	GRD	GRD		2,4								
	M4	GRD	GRD		2,6								
	M4	GRD	GRD		2,6								
	M4	GRD	GRD		2,6								
	M4	GRD	GRD		2,4								
terminal strip: -X12 total 8 terminals	X0	GRD3	GRD		1,7								
	M4	GRD	GRD		2,4								
	M4	GRD	GRD		2,6								
	M4	GRD	GRD		2,6								
	M4	GRD	GRD		2,4								
	M4	GRD	GRD		2,6								
	M4	GRD	GRD		2,6								
	M4	GRD	GRD		2,4								
	M4	GRD	GRD		2,6								
	M4	GRD	GRD		2,6								
	M4	GRD	GRD		2,4								
	M4	GRD	GRD		2,6								
	M4	GRD	GRD		2,6								
	M4	GRD	GRD		2,4								
	M4	GRD	GRD		2,6								
	M4	GRD	GRD		2,6								
	M4	GRD	GRD		2,4								
	M4	GRD	GRD		2,6								
	M4	GRD	GRD		2,6								
	M4	GRD	GRD		2,4								
	M4	GRD	GRD		2,6								
	M4	GRD	GRD		2,6								
	terminal strip: -X13 total 4 terminals	X0	GRD3	GRD		1,7							
		M23	GRD	GRD		6,4							
		M23	GRD	GRD		6,4							
		M23	GRD	GRD		6,4							
M23		GRD	GRD		6,4								
M23		GRD	GRD		6,4								
M23		GRD	GRD		6,4								
M23		GRD	GRD		6,4								
M23		GRD	GRD		6,4								
M23		GRD	GRD		6,4								
M23		GRD	GRD		6,4								
M23		GRD	GRD		6,4								
M23		GRD	GRD		6,4								
M23		GRD	GRD		6,4								
M23		GRD	GRD		6,4								
M23		GRD	GRD		6,4								
M23		GRD	GRD		6,4								
M23		GRD	GRD		6,4								
M23		GRD	GRD		6,4								
M23		GRD	GRD		6,4								
terminal strip: -X13 total 8 terminals	X0	GRD3	GRD		1,7								
	M24	GRD	GRD		6,6								
	M24	GRD	GRD		6,6								
	M24	GRD	GRD		6,6								
	M24	GRD	GRD		6,6								
	M24	GRD	GRD		6,6								
	M24	GRD	GRD		6,6								
	M24	GRD	GRD		6,6								
	M24	GRD	GRD		6,6								
	M24	GRD	GRD		6,6								
M24	GRD	GRD		6,6									
terminal strip: -X13 total 4 terminals	X0	GRD3	GRD		1,7								
	M24	GRD	GRD		6,6								
	M24	GRD	GRD		6,6								
	M24	GRD	GRD		6,6								
	M24	GRD	GRD		6,6								
	M24	GRD	GRD		6,6								
	M24	GRD	GRD		6,6								
	M24	GRD	GRD		6,6								
	M24	GRD	GRD		6,6								
	M24	GRD	GRD		6,6								
	M24	GRD	GRD		6,6								
	M24	GRD	GRD		6,6								
	M24	GRD	GRD		6,6								
	M24	GRD	GRD		6,6								
	M24	GRD	GRD		6,6								
	M24	GRD	GRD		6,6								
terminal strip: -X13 total 4 terminals	X0	GRD3	GRD		1,7								
	M24	GRD	GRD		6,6								
	M24	GRD	GRD		6,6								
	M24	GRD	GRD		6,6								
	M24	GRD	GRD		6,6								
	M24	GRD	GRD		6,6								
	M24	GRD	GRD		6,6								
	M24	GRD	GRD		6,6								
	M24	GRD	GRD		6,6								
	M24	GRD	GRD		6,6								
	M24	GRD	GRD		6,6								
	M24	GRD	GRD		6,6								
	M24	GRD	GRD		6,6								
	M24	GRD	GRD		6,6								
	M24	GRD	GRD		6,6								
	M24	GRD	GRD		6,6								
terminal strip: -X13 total 4 terminals	X0	GRD3	GRD		1,7								
	M24	GRD	GRD		6,6								
	M24	GRD	GRD		6,6								
	M24	GRD	GRD		6,6								
	M24	GRD	GRD		6,6								
	M24	GRD	GRD		6,6								
	M24	GRD	GRD		6,6								
	M24	GRD	GRD		6,6								
	M24	GRD	GRD		6,6								
	M24	GRD	GRD		6,6								
	M24	GRD	GRD		6,6								
	M24	GRD	GRD		6,6								
	M24	GRD	GRD		6,6								
	M24	GRD	GRD		6,6								
	M24	GRD	GRD		6,6								
	M24	GRD	GRD		6,6								
terminal strip: -X13 total 4 terminals	X0	GRD3	GRD		1,7								
	M24	GRD	GRD		6,6								
	M24	GRD	GRD		6,6								
	M24	GRD	GRD		6,6								
	M24	GRD	GRD		6,6								
	M24	GRD	GRD		6,6								
	M24	GRD	GRD		6,6								
	M24	GRD	GRD		6,6								
	M24	GRD	GRD		6,6								
	M24	GRD	GRD		6,6								
	M24	GRD	GRD		6,6								
	M24	GRD	GRD		6,6								
	M24	GRD	GRD		6,6								
	M24	GRD	GRD		6,6								
	M24	GRD	GRD		6,6								
	M24	GRD	GRD		6,6								
M24	GRD	GRD		6,6									

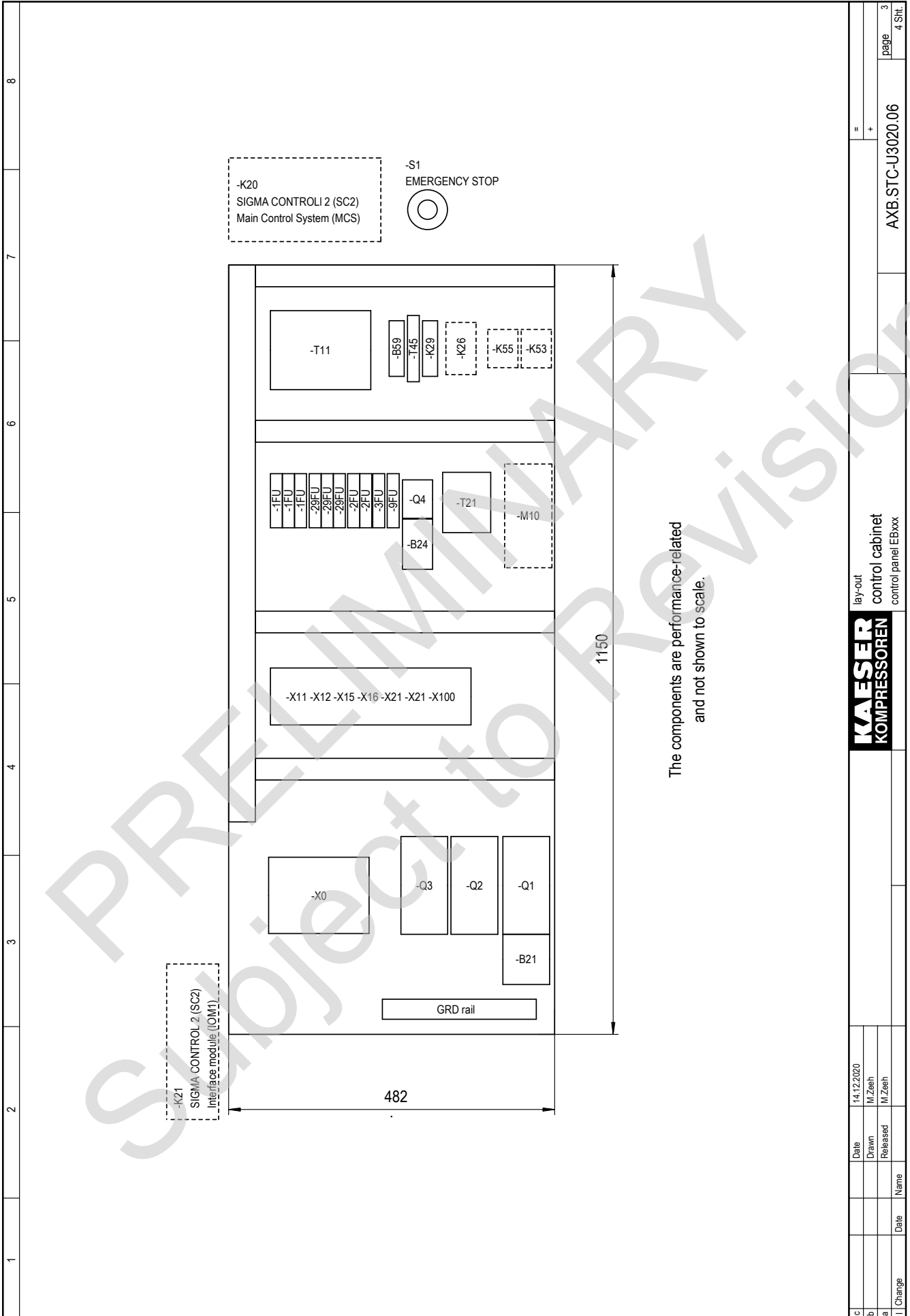
terminal connection				= +	
terminal connection	-X0,-X1,-X12,-X13				
KAESER KOMPRESSOREN		KXB.STC-U3020.06			
Date	14.12.2020	Page	1		
Drawn	M.Zeesh	Page	2 Sht		
Released	M.Zeesh	Page	2 Sht		
Change	Date	Name			



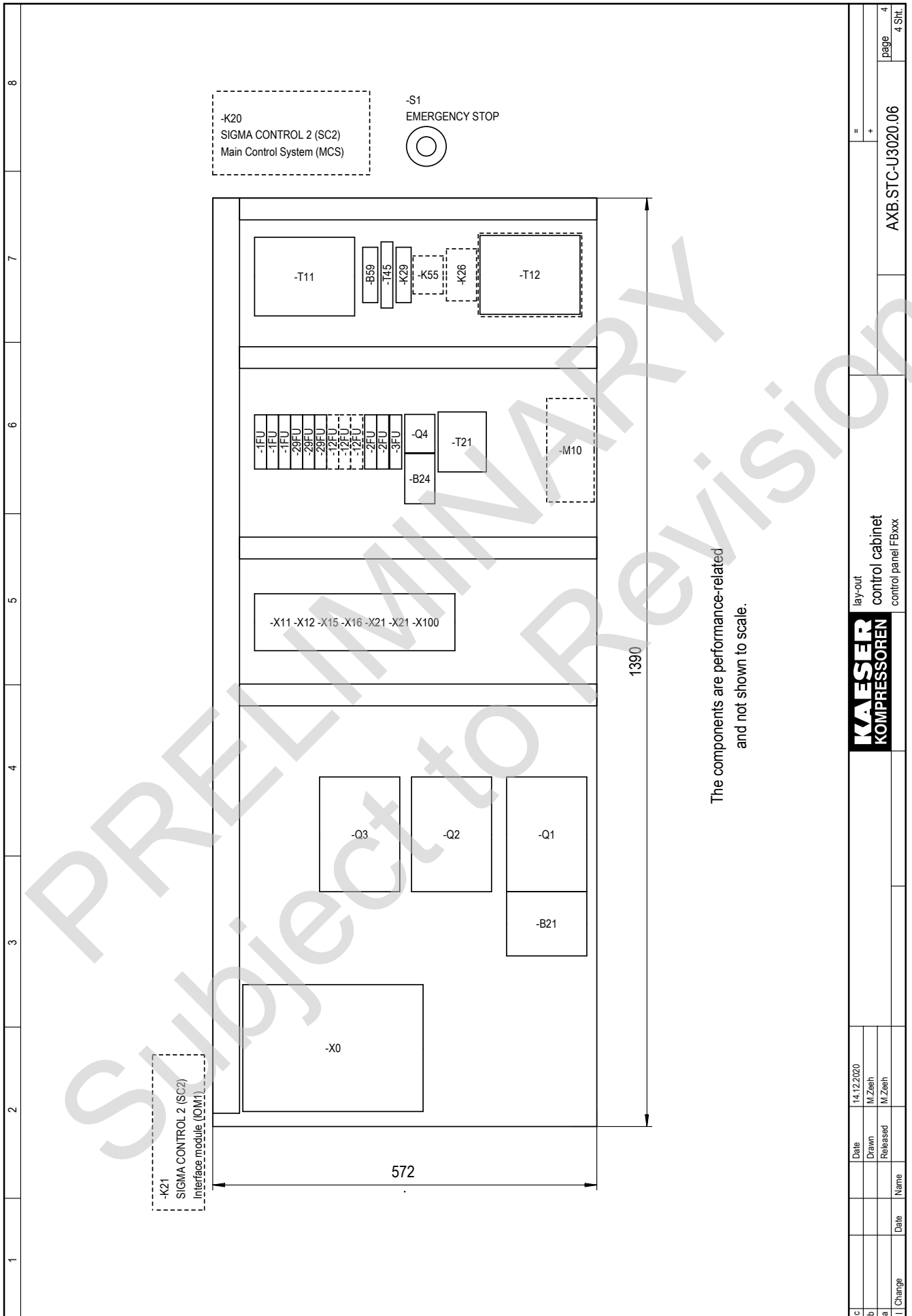
Date		14.12.2020	
Drawn		M.Zeesh	
Released		M.Zeesh	
I Change		Date	Name
		lay-out control cabinet control panel BBxxx	
		AXB.STC-U3020.06	
		page 1	
		4 Sht.	



c	Date	14.12.2020	lay-out	AXB.STC-U3020.06	page	2
b	Drawn	M.Zeesh	control cabinet			
a	Released	M.Zeesh	control panel CB/DB xxx			
I	Change					4 Sht.



c	Date	14.12.2020	=	+	AXB.STC-U3020.06	page	3
	Drawn	M.Zeesh					4 Sht.
b	Released	M.Zeesh					
a							
I	Change	Date	Name				



The components are performance-related and not shown to scale.

c	Date	14.12.2020	lay-out	control cabinet	AXB.STC-U3020.06	page	4
	Drawn	M.Zeeth					
b	Released	M.Zeeth	control panel FBxxx				
a							
I	Change		Name				

13.5.2 Option C34, OMEGA FREQUENCY CONTROL (OFC)

PRELIMINARY
Subject to Revision

1	2	3	4	5	6	7	8	
<p style="text-align: center;">Wiring Diagram</p> <p style="text-align: center;">Blower with frequency converter</p> <p style="text-align: center;">Siemens Sinamics G120 PM240-2 + SIGMA CONTROL 2 (SC2)</p> <p style="text-align: center;">460V ±10% 3ph 60Hz 5hp-175hp (4kW-132kW)</p> <p style="text-align: center;">Power supply: WYE system with center point solidly grounded</p> <p style="text-align: center;">manufacturer: KAESER KOMPRESSOREN SE Postfach 2143 96410 Coburg</p>								
<p style="text-align: center;">ATTENTION !!!</p> <p style="text-align: center;">The document gives collective information on power supply voltages and frequencies for all machines. The voltage and frequency and local conditions under which any particular machine may be used are given on the nameplate of the machine and in the accompanying service manual.</p>								
<p style="text-align: center;">The drawings remain our exclusive property. They are entrusted only for the agreed purpose. Copies or any other reproductions, including storage, treatment and dissemination by use of electronic systems must not be made for any other than the agreed purpose. Neither originals nor reproductions must be forwarded or otherwise made accessible to third parties.</p>								
c	Datum	05.02.2018	USE	cover page				=
b	Bearbeiter	M.Zeeh		Blower xFC+SC2				+
a	Geprüft	IM.Zeeh		DXB.XFC-U3020.04				page 1
A	Änderung	Datum	Name	Norm	Ersatz durch:		1 Bl.	

Lfd. Nr. No.	Benennung Name	Zeichnungsnummer (Kunde) Drawing No. (customer)	Zeichnungsnummer (Hersteller) Drawing No. (manufacturer)	Blatt Page	Anlagenkennzeichen Unit designation
1	cover page		DXB.XFC-U3020.04	1	
2	list of contents		ZXB.XFC-U3020.04	1	
3	general instructions	instructions + option	UXB.XFC-U3020.04	1	
4	component legend	component legend	UXB.XFC-U3020.04	2	
5	electrical component parts list	Common parts	UXB.XFC-U3020.04	3	
6	electrical component parts list	Common parts	UXB.XFC-U3020.04	4	
7	electrical component parts list	option	UXB.XFC-U3020.04	5	
8	electrical component parts list	performance-related components	UXB.XFC-U3020.04	6	
9	electrical component parts list	performance-related components	UXB.XFC-U3020.04	7	
10	electrical component parts list	performance-related components	UXB.XFC-U3020.04	8	
11	electrical component parts list	performance-related components	UXB.XFC-U3020.04	9	
12	electrical component parts list	performance-related components	UXB.XFC-U3020.04	10	
13	electrical component parts list	performance-related components	UXB.XFC-U3020.04	11	
14	wiring diagram	input voltage	SXB.XFC-U3020.04	1	
15	wiring diagram	power unit	SXB.XFC-U3020.04	2	
16	wiring diagram	power unit vent	SXB.XFC-U3020.04	3	
17	wiring diagram	control voltage	SXB.XFC-U3020.04	4	
18	wiring diagram	control	SXB.XFC-U3020.04	5	
19	wiring diagram	type speed supervisory module	SXB.XFC-U3020.04	6	
20	wiring diagram	SC2 + IOM	SXB.XFC-U3020.04	7	
21	wiring diagram	IOM-configuration	SXB.XFC-U3020.04	8	
22	wiring diagram	digital inputs IOM	SXB.XFC-U3020.04	9	
23	wiring diagram	analog inputs IOM	SXB.XFC-U3020.04	10	
24	wiring diagram	Relay-outputs IOM	SXB.XFC-U3020.04	11	
25	wiring diagram	frequency converter	SXB.XFC-U3020.04	12	
26	wiring diagram	Handling terminals	SXB.XFC-U3020.04	13	
27	wiring diagram	Feed line connection	SXB.XFC-U3020.04	14	
28	wiring diagram	Feed line connection	SXB.XFC-U3020.04	15	
29	terminal connection	-X0-X11,-X12	KXB.XFC-U3020.04	1	
30	terminal connection	-X15,-X16,-X21,-X22,-X100	KXB.XFC-U3020.04	2	
31	lay-out	control panel BBxxx	AXB.XFC-U3020.04	1	
32	lay-out	control panel CB/DBxxx	AXB.XFC-U3020.04	2	
33	lay-out	control panel EBxxx control unit	AXB.XFC-U3020.04	3	
34	lay-out	control panel EBxxx power unit	AXB.XFC-U3020.04	4	
35	lay-out	control panel FBxxx control unit	AXB.XFC-U3020.04	5	
36	lay-out	control panel FBxxx power unit	AXB.XFC-U3020.04	6	

c	Datum	05.02.2018	list of contents		=
b	Bearbeiter	M.Zeeh			+
a	Geprüft	M.Zeeh			
B	Änderung	Datum	Name	Ersatz durch:	Ersatz für:
					ZXB.XFC-U3020.04
					page 1
					1 Bl.

1	2	3	4	5	6	7	8	
<p>general instructions</p> <p>ATTENTION !!! Install supplies, grounding and shock protection to local safety regulations. Control circuits are single-end-grounded, if they are floating they may only be used together with insulation monitoring. Do not make or break live plug-in connectors.</p> <p>control cabinet wiring for non-designated conductors with multi-standard stranded conductors primary circuits: control voltage AC 115V: control voltage AC 115V grounded: control voltage DC 24V: control voltage DC 24V grounded: external voltage: ground conductor:</p> <p>black 2,5mm² H07V-K, 14AWG UL-Style 1015, CSA-TEW red 1mm² H05V-K, 18AWG UL-Style 1015, CSA-TEW white 1mm² H05V-K, 18AWG UL-Style 1015, CSA-TEW blue 1mm² H05V-K, 18AWG UL-Style 1015, CSA-TEW blue/white 1mm² H05V-K, 18AWG UL-Style 1015, CSA-TEW orange 1,5mm² H07V-K, 16AWG UL-Style 1015, CSA-TEW green/yellow H07V-K, UL-Style 1015, CSA-TEW</p> <hr/> <p>type model-dependent components</p> <p>B13 = mode of operation overpressure B14 = mode of operation Vacuum C5 = option oil level monitoring (-B80/-B81) (standard by Screw blowers) C10 = option Speed monitoring (-K26+sensor -B90) C11 = option Unloaded start valve C34 = OMEGA FREQUENCY CONTROL C38 = SIGMA FREQUENCY CONTROL C39 = option oil temperature monitoring (-B55) (standard by Screw blowers) xxx = Gear housing ventilation+Oil return (only EBS/FBS)</p>								
c	Datum	05.02.2018						=
b	Bearbeiter	M.Zeeh						+
a	Geprüft	M.Zeeh						
C	Änderung	Datum	Name	Ersatz für:				
			General instructions Blower xFC+SC2 instructions + option					
							UXB.XFC-U3020.04	
							page 1 11 Bl.	

1	2	3	4	5	6	7	8		
-B1/-B4 -B5 -B24 -B40/-B43 -B55 -B60 -B70 -B80/-B81 -B90 -0FU -1FU -2FU -3FU -8FU -10FU -29FU -F86 -K1 -K10 -K20 -K21 -K26 -K29 -K50 -K51 -K52 -K55 -K60 -M1 -M4 -M8 -M9 -M10 -Q4 -R1 -R3.1 -R3.2 -R11 -S1 -S9	pressure transducer (4...20mA) differential pressure switch filter clogging overload Relay vent motor temperature probe Blower (PT100) temperature probe PT100 (option) thermistors, compressor motor temperature probe soundproofing casing oil level switch speed sensor fuse motor Blower fuse control voltage tapping primary control fuse control transformer secondary control fuse control transformer fuse controller ventilator fuse 24V-AC fuse phase sequence relay Surge protective device (Canada only) solenoid valve solenoid valve Oil return SIGMA CONTROL 2 (SC2) (MCS) SIGMA CONTROL 2 (SC2) (IOM-Modul) speed supervisory module phase sequence relay coupling relay controller ventilator coupling relay ventilator coupling relay solenoid valve coupling relay Oil return EMERGENCY STOP (external/customer) motor Blower ventilator soundproofing casing controller ventilator (1) controller ventilator (2) vacuum pump Gear housing ventilation contactor ventilator soundproofing casing line commutation reactor ferrit bead power supply ferrit bead Motor cable interference suppression filter EMERGENCY STOP pushbutton REMOTE reset fault message				-T1 frequency converter -T11 control transformer 230V-AC -T21 control voltage supply 24V-DC -T45 isolating amplifier -X0 terminal strip, power supply -X11 terminal strip, control -X12 SC2-IOM digital outputs -X15 SC2-IOM digital inputs -X16 frequency converter analog signals -X21 control voltage 24V-DC -X22 frequency converter 24V-DC -X100 EMERGENCY STOP (external/customer) -K20 Main Control System SC2 MCS -X1 Ethernet -X2 IO-BUS -X3 RS485-FC (USS-Bus) -X4 communication module -X5 SD card slot -X6 ground connection -K21 IO-Modul SC2 IOM-1 inside -X1 IO-Bus input -X2 IO-Bus output -X3 digital inputs -X4 power supply unit and Transistor outputs -X5,-X9 Relay outputs -X6 analog input 0-20mA -X7 analog input PT100 -X8 digital inputs -X11...-X13 external analog inputs 0-20mA -X14...-X17 analog inputs PT100 -X18...-X29 digital inputs -X30...-X32 digital outputs				
<p>KAESER KOMPRESSOREN component legend Blower xFC+SC2 component legend</p>									
<p>UXB.XFC-U3020.04</p>									
<p>11 Bl. page 2</p>									

Common parts		5 - 175 hp / 4 - 132 kW		page 3		11 Bl.	
model							
machine power supply		460 V ±10 %, 60 Hz					
pressure transducer	-B1 Huba Control	894786.0 0.-1200mbar					
pressure transducer	-B4 Huba Control	894787.0 0.1200mbar					
differential pressure switch	-B5 Dungs	893307.00010 setting: 14,1 in.W.C.					
temperature probe	-B40/-B43 WIKA	895251.10010 (BB/CB/DB) 895251.10040 (EB-C/FB) 895603.00040 (EB-S) Pt100					
temperature probe	-B55	895251.10100 895603.00100 (EB-S) Pt100					
temperature probe	-B70 Wieland	7.7631.0-P21 PT100					
fuse	-1FU Gould	(3x) - 7.3161.00190 ATQR 8 A - 600 V - class CC					
fuse	-2FU Gould	(2x) - 7.3317.1 ATQR 3 A - 600 V - class CC					
fuse	-3FU Gould	(1x) - 7.3161.00160 ATQR 5 A - 600 V - class CC					
fuse	-8FU Gould	(1x) - 7.3304.00010 ATDR 2 A - 600 V - class CC					
fuse	-10FU	895637.0 5x20 0,315 A-T 250 VAC					
fuse	-29FU Gould	(3x) - 7.3161.00360 ATDR 1 A - 600 V - class CC					
fuse socket	-1FU/-29FU -2FU -3FU/-8FU Wöhner	3-pole (2x) - 7.3320.00060 2-pole (1x) - 7.3320.00070 1-pole (2x) - 7.3320.00050 class CC - Ambus Easy Switch					
solenoid valve	-K10 bükert	895601.0 24V-DC 8W					
Blower control	-K20 Prodrive	7.7601.0 SC2MCS					
Blower control	-K21 Prodrive	7.7602.1 SC210M-1					
phase sequence relay	-K29 Siemens	7.7830.00600 3UG4615					
coupling relay	-K50/-K51 Wieland	7.3149.00660 24DC-1W-250V6A					
coupling relay	-K55 Siemens	7.8740.04210 3RH2122-1JB40 DC 17-30 V AC-15: 230 V/10 A					
vacuum pump	-M10 Schwarzer	895612.00100 24V-AC 60 Hz, 4W					
Fortsetzung: nächstes Blatt							
c		Datum	05.02.2018				
b		Bearbeiter	M.Zeeh				
a		Geprüft	IM/Zeeh				
C-Änderung		Norm					
		Name					
		Datum					
		Ersatz durch:					
		Ersatz für:					
		electrical component parts list					
		Blower xFC+SC2					
		Common parts					
		UXB.XFC-U3020.04					
		=	+				

model		Common parts 5 - 175 hp / 4 - 132 kW		page 4 11 Bl.	
machine power supply		460 V ±10 %, 60 Hz		= + UXB.XFC-U3020.04	
contactor	-Q4 Siemens	7.8740.00310 3RT2016-1AK61			
interference suppressor	.	7.8740.05130 Siemens	3RT2916-1CC00		
control transformer	-T11 Block	7.2238.10090 USTE630 - 630 VA 208-600 V/2x 115 V+ 24 V			
power supply	-T21 Prodrive	7.7605P0 PSDC24/2.5 100-240 V-AC/24 V-DC 2,5 A			
isolating amplifier	-T45 Phoenix	7.2892.00040 MCR-C-III-00-DC			
control line terminal	-X. 11/12/15/16/21/22/100 Handling	895635.0 Wieland WTP fig. 1, Sht. 11			
<p style="text-align: center; font-size: 2em; opacity: 0.3; transform: rotate(-30deg);">PRELIMINARY Subject to Revision</p>				<p>electrical component parts list Blower xFC+SC2 Common parts</p>	
				<p>KAESER KOMPRESSOREN</p>	
				<p>Ursprung:</p>	
				<p>Ersatz für:</p>	
				<p>Ersatz durch:</p>	
				<p>Datum 05.02.2018</p>	
				<p>Bearbeiter M.Zeeh</p>	
				<p>Geprüft M.Zeeh</p>	
				<p>Norm</p>	
				<p>Name</p>	
<p>Datum</p>					
<p>C-Änderung</p>					

model	option			page
	BB	CB-DB-EB	FB	5
machine power supply	460 V / 60 Hz	460 V / 60 Hz	460 V+ 575 V / 60 Hz	11 Bl.
option C5/C39: oil function monitors				
oil level switch (option C5)	-B80/-B81 Elobau	---	894631.00010	894631.00010
oil temperatur (option C39)	-B55 Wika	---	895251.10100 (xB-C) 895603.00100 (EB-S) Pt100	895251.10100 Pt100
option C10: Speed monitoring				
supervisory module	-K26 ifm	895323.0 FR1 - DD2503	895323.0 FR1 - DD2503	895323.0 FR1 - DD2503
speed sensor	-B90 ifm	895039.0 IFC201	895039.0 IFC201	895039.0 IFC201
option C11: Unloaded start valve 24 V-DC (electromagnetic)				
solenoid valve	-K1 Riegler	---	---	---
option C11: Unloaded start valve 115 V-AC (electromagnetic)				
solenoid valve	-K1 bürkert	893584.00010 115V/60 Hz (1PH/N/GRD)	---	---
coupling relay	-K52 Wieland	7.3149.00660 FLARE 24 V-DC 1W-250 V/6 A	---	---
PRELIMINARY REVISION				
Subject to				
c	Datum	05.02.2018	electrical component parts list	
b	Bearbeiter	M.Zeeh	Blower xFC+SC2	
a	Geprüft	IM.Zeeh	option	
C-Änderung	Name		KAESER KOMPRESSOREN	
	Datum		Ursprung:	
	Ersatz durch:			
	Ersatz für:			

model	performance-related components					page 6 11 Bl.
	5 hp BB (4 kW)	7,5 hp BB+ CB+DB (5,5 kW)	10 hp BB+ CB+DB (7,5 kW)	15 hp BB+ CB+DB 11 kW)	20 hp BB+ CB+DB (15 kW)	
machine power supply	460 V ±10 %, 60 Hz	460 V ±10 %, 60 Hz	460 V ±10 %, 60 Hz	460 V ±10 %, 60 Hz	460 V ±10 %, 60 Hz	= + UXB.XFC-U3020.04
overload relay soundproofing casing	-B24 7.8741.00030 3RB3016-1PB0 1,00-4,00 A / S00 setting: 1,43 A NEC 430.32(C) incremental setting: 1,61 A Siemens	7.8741.00030 3RB3016-1PB0 1,00-4,00 A / S00 setting: 1,43 A NEC 430.32(C) incremental setting: 1,61 A	7.8741.00030 3RB3016-1PB0 1,00-4,00 A / S00 setting: 1,43 A NEC 430.32(C) incremental setting: 1,61 A	7.8741.00030 3RB3016-1PB0 1,00-4,00 A / S00 setting: 1,43 A NEC 430.32(C) incremental setting: 1,61 A	7.8741.00030 3RB3016-1PB0 1,00-4,00 A / S00 setting: 1,43 A NEC 430.32(C) incremental setting: 1,61 A	
Surge protective device	-F86 Dehn 7.8669.00020 DG MU 3PY 480 3W+ G	7.8669.00020 DG MU 3PY 480 3W+ G	7.8669.00020 DG MU 3PY 480 3W+ G	7.8669.00020 DG MU 3PY 480 3W+ G	7.8669.00020 DG MU 3PY 480 3W+ G	electrical component parts list BB+CB+DB performance-related components
Blower motor	-M1 Siemens 894989.0 460 V-D/60 Hz 7 A, 3600U	894990.0 460 V-D/60 Hz 10,1 A, 3600U	894991.0 460 V-D/60 Hz 13,2 A, 3600U	894992.0 460 V-D/60 Hz 20,2 A, 3600U	895049.0 460 V-D/60 Hz 27,6 A, 3600U	
vent motor soundproofing casing	-M4 ebm 895260.00010 W2D250 115 V/60 Hz (1Ph/N/GRD) 175W 1,55 A	895260.00010 W2D250 115 V/60 Hz (1Ph/N/GRD) 175W 1,55 A	895260.00010 W2D250 115 V/60 Hz (1Ph/N/GRD) 175W 1,55 A	895260.00010 W2D250 115 V/60 Hz (1Ph/N/GRD) 175W 1,55 A	895260.00010 W2D250 115 V/60 Hz (1Ph/N/GRD) 175W 1,55 A	
vent motor control cabinet	-M8 / (-M9) Ruebsamen 7.2751.00490 LV410 (1Ph/N/GRD) 115 V/60 Hz, 40W 0,5 A	7.2751.00490 LV410 (1Ph/N/GRD) 115 V/60 Hz, 40W 0,5 A	7.2751.00490 LV410 (1Ph/N/GRD) 115 V/60 Hz, 40W 0,5 A	7.2751.00490 LV410 (1Ph/N/GRD) 115 V/60 Hz, 40W 0,5 A	7.2751.00490 LV410 (1Ph/N/GRD) 115 V/60 Hz, 40W 0,5 A	
line commutation reactor	-R1 Siemens 7.7831.00310 6SL3203-OCE21-8AA0	7.7831.00310 6SL3203-OCE21-8AA0	7.7831.00310 6SL3203-OCE21-8AA0	7.7831.00320 6SL3203-OCE23-8AA0	7.7831.00320 6SL3203-OCE23-8AA0	
ferrit bead	-R3.1 -R3.2 Magnetec 7.8538.0 (M112) 1x 7.8538.0 (M112)	7.8538.0 (M112) 1x 7.8538.0 (M112)	7.8538.0 (M112) 1x 7.8538.0 (M112)	7.8538.0 (M112) 1x 7.8538.0 (M112)	7.8538.0 (M112) 1x 7.8538.0 (M112)	
interference suppression filter	-R11 Siemens integrated ---	integrated ---	integrated ---	7.8832.10030 Schaffner FS33891-50-07	7.8832.10030 Schaffner FS33891-50-07	
frequency converter control unit instrument panel	-T1 Siemens 7.8833.01070 6SL3210-1PE21-1AL0 7.7830.00710 6SL3244-0BB12-1BAx 7.7830.00100 6SL3255-0AA00-4CA1	7.8833.01080 6SL3210-1PE21-4AL0 7.7830.00710 6SL3244-0BB12-1BAx 7.7830.00100 6SL3255-0AA00-4CA1	7.8833.01090 6SL3210-1PE21-8AL0 7.7830.00710 6SL3244-0BB12-1BAx 7.7830.00100 6SL3255-0AA00-4CA1	7.8833.00100 6SL3210-1PE22-7UL0 7.7830.00710 6SL3244-0BB12-1BAx 7.7830.00100 6SL3255-0AA00-4CA1	7.8833.00110 6SL3210-1PE23-3UL0 7.7830.00710 6SL3244-0BB12-1BAx 7.7830.00100 6SL3255-0AA00-4CA1	
motor cable	-W211 4x10 AWG / 4G6 mm ² 600 V - 80°C - EMV	4x10 AWG / 4G6 mm ² 600 V - 80°C - EMV	4x10 AWG / 4G6 mm ² 600 V - 80°C - EMV	4x8 AWG / 4G10 mm ² 600 V - 80°C - EMV	4x8 AWG / 4G10 mm ² 600 V - 80°C - EMV	
connection	-W280.1/2 -W281 -W282 10 AWG / 6 mm ² 10 AWG / 6 mm ² 10 AWG / 6 mm ² 600 V - 90°C	10 AWG / 6 mm ² 10 AWG / 6 mm ² 10 AWG / 6 mm ² 600 V - 90°C	10 AWG / 6 mm ² 10 AWG / 6 mm ² 10 AWG / 6 mm ² 600 V - 90°C	8 AWG / 10 mm ² 8 AWG / 10 mm ² 8 AWG / 10 mm ² 600 V - 90°C	8 AWG / 10 mm ² 8 AWG / 10 mm ² 8 AWG / 10 mm ² 600 V - 90°C	
supply terminals supply	-X0: U1/N1/W1/GRD Handling Stripped length X connection 894864.00010 Wieland 14-4 AWG/2,5-16 mm ² fig. 2, Sht. 12 16 mm fig. 1, Sht. 13	894864.00010 Wieland 14-4 AWG/2,5-16 mm ² fig. 2, Sht. 12 16 mm fig. 1, Sht. 13	894864.00010 Wieland 14-4 AWG/2,5-16 mm ² fig. 2, Sht. 12 16 mm fig. 1, Sht. 13	894864.00010 Wieland 14-4 AWG/2,5-16 mm ² fig. 2, Sht. 12 16 mm fig. 1, Sht. 13	894864.00010 Wieland 14-4 AWG/2,5-16 mm ² fig. 2, Sht. 12 16 mm fig. 1, Sht. 13	

c	Datum	05.02.2018
b	Bearbeiter	M.Zeeh
a	Geprüft	IM.Zeeh
C-Änderung	Norm	
	Name	
	Datum	

model	performance-related components					page 7 11 Bl.																	
	25 hp CB+ DB 18,5W)	30 hp CB+ DB (22 kW)	40 hp CB+ DB (30 kW)	50 hp DB (37 kW)	60 hp DB (45 kW)																		
machine power supply	460 V ±10 %, 60 Hz	460 V ±10 %, 60 Hz	460 V ±10 %, 60 Hz	460 V ±10 %, 60 Hz	460 V ±10 %, 60 Hz	= + UXB.XFC-U3020.04																	
overload relay soundproofing casing	-B24 7.8741.00030 3RB3016-1PB0 1,00-4,00 A / S00 setting: 1,43 A NEC 430.32(C) incremental setting: 1,61 A Siemens	7.8741.00030 3RB3016-1PB0 1,00-4,00 A / S00 setting: 1,43 A NEC 430.32(C) incremental setting: 1,61 A	7.8741.00030 3RB3016-1PB0 1,00-4,00 A / S00 setting: 1,43 A NEC 430.32(C) incremental setting: 1,61 A	7.8741.00030 3RB3016-1PB0 1,00-4,00 A / S00 setting: 1,43 A NEC 430.32(C) incremental setting: 1,61 A	7.8741.00030 3RB3016-1PB0 1,00-4,00 A / S00 setting: 1,43 A NEC 430.32(C) incremental setting: 1,61 A																		
Surge protective device	-F86 Dehn 7.8669.00020 DG MU 3PY 480 3W+ G	7.8669.00020 DG MU 3PY 480 3W+ G	7.8669.00020 DG MU 3PY 480 3W+ G	7.8669.00020 DG MU 3PY 480 3W+ G	7.8669.00020 DG MU 3PY 480 3W+ G	electrical component parts list CB+DB performance-related components																	
Blower motor	-M1 Siemens 894994.0 460 V-D/60 Hz 32,2 A, 3600U	894995.0 460 V-D/60 Hz 38,5 A, 3600U	894996.1 (CB) 894997.1 (DB) 460 V-D/60 Hz 52 A, 3600U	894978.1 460 V-D/60 Hz 63,3 A, 3600U	894979.1 460 V-D/60 Hz 78 A, 3600U																		
vent motor soundproofing casing	-M4 ebm 895260.00010 W2D250 115 V/60 Hz (1Ph/N/GRD) 175W 1,55 A	895260.00010 W2D250 115 V/60 Hz (1Ph/N/GRD) 175W 1,55 A	895260.00010 W2D250 115 V/60 Hz (1Ph/N/GRD) 175W 1,55 A	895260.00010 W2D250 115 V/60 Hz (1Ph/N/GRD) 175W 1,55 A	895260.00010 W2D250 115 V/60 Hz (1Ph/N/GRD) 175W 1,55 A																		
vent motor control cabinet	-M8 / (-M9) Ruebsamen 7.2751.00490 LV410 (1Ph/N/GRD) 115 V/60 Hz, 40W 0,5 A	7.2751.00490 LV410 (1Ph/N/GRD) 115 V/60 Hz, 40W 0,5 A	7.2751.00490 LV410 (1Ph/N/GRD) 115 V/60 Hz, 40W 0,5 A	7.2751.00490 LV410 (1Ph/N/GRD) 115 V/60 Hz, 40W 0,5 A	7.2751.00490 LV410 (1Ph/N/GRD) 115 V/60 Hz, 40W 0,5 A																		
line commutation reactor	-R1 Siemens integrated ---	integrated ---	integrated ---	integrated ---	integrated ---																		
ferrit bead	-R3.1 -R3.2 Magnetec 7.8538.0 (M112) 1x 7.8538.0 (M112)	7.8538.0 (M112) 1x 7.8538.0 (M112)	7.8538.0 (M112) 1x 7.8538.0 (M112)	7.8538.0 (M112) 2x 7.8538.0 (M112)	7.8538.0 (M112) 2x 7.8538.0 (M112)																		
interference suppression filter	-R11 Siemens integrated ---	integrated ---	integrated ---	integrated ---	integrated ---																		
frequency converter control unit instrument panel	-T1 Siemens 7.8833.01120 6SL3210-1PE23-8AL0 7.7830.00710 6SL3244-0BB12-1BAx 7.7830.00100 6SL3255-0AA00-4CA1	7.8833.01130 6SL3210-1PE24-5AL0 7.7830.00710 6SL3244-0BB12-1BAx 7.7830.00100 6SL3255-0AA00-4CA1	7.8833.01140 6SL3210-1PE26-0AL0 7.7830.00710 6SL3244-0BB12-1BAx 7.7830.00100 6SL3255-0AA00-4CA1	7.8833.01150 6SL3210-1PE27-5AL0 7.7830.00710 6SL3244-0BB12-1BAx 7.7830.00100 6SL3255-0AA00-4CA1	7.8833.01160 6SL3210-1PE28-8AL0 7.7830.00710 6SL3244-0BB12-1BAx 7.7830.00100 6SL3255-0AA00-4CA1																		
motor cable	-W211 4x6 AWG / 4G16 mm ² 600 V - 80°C - EMV	4x6 AWG / 4G16 mm ² 600 V - 80°C - EMV	2x 4x8 AWG/4G10 mm ² (CB) 4x4 AWG / 4G25 mm ² (DB) 600 V - 80°C - EMV	4x2 AWG / 4G35 mm ² 600 V - 80°C - EMV	3x 1 AWG / 50 mm ² 4 AWG / 25 mm ² (GRD) 600 V - 90°C																		
connection	-W280.1/2 -W281 -W282 8 AWG / 10 mm ² 8 AWG / 10 mm ² 8 AWG / 10 mm ² 600 V - 90°C	8 AWG / 10 mm ² 8 AWG / 10 mm ² 8 AWG / 10 mm ² 600 V - 90°C	4 AWG / 25 mm ² 4 AWG / 25 mm ² 4 AWG / 25 mm ² 600 V - 90°C	4 AWG / 25 mm ² 4 AWG / 25 mm ² 4 AWG / 25 mm ² 600 V - 90°C	2 AWG / 35 mm ² 2 AWG / 35 mm ² 2 AWG / 35 mm ² 600 V - 90°C																		
supply terminals supply	-X0: U1/N1/W1/GRD Wieland 14-4 AWG/2,5-16 mm ² fig. 2, Sht. 12 Handling Stripped length X 16 mm connection fig. 1, Sht. 13	894864.00010 Wieland 14-4 AWG/2,5-16 mm ² fig. 2, Sht. 12 16 mm fig. 1, Sht. 13	3x 895314.0 3x 895314.00010 4x 895314.00040 Wago 8-1 AWG/10-50 mm ² fig. 3, Sht. 12 30 mm fig. 2, Sht. 13	3x 895314.0 3x 895314.00010 4x 895314.00040 Wago 8-1 AWG/10-50 mm ² fig. 3, Sht. 12 30 mm fig. 2, Sht. 13	3x 895314.0 3x 895314.00010 4x 895314.00040 Wago 8-1 AWG/10-50 mm ² fig. 3, Sht. 12 30 mm fig. 2, Sht. 13																		
<table border="1"> <tr> <td>c</td> <td>Datum</td> <td>05.02.2018</td> </tr> <tr> <td>b</td> <td>Bearbeiter</td> <td>M.Zeeh</td> </tr> <tr> <td>a</td> <td>Geprüft</td> <td>Il/Zeeh</td> </tr> <tr> <td>C-Änderung</td> <td>Norm</td> <td></td> </tr> <tr> <td></td> <td>Name</td> <td></td> </tr> <tr> <td></td> <td>Datum</td> <td></td> </tr> </table>						c	Datum	05.02.2018	b	Bearbeiter	M.Zeeh	a	Geprüft	Il/Zeeh	C-Änderung	Norm			Name			Datum	
c	Datum	05.02.2018																					
b	Bearbeiter	M.Zeeh																					
a	Geprüft	Il/Zeeh																					
C-Änderung	Norm																						
	Name																						
	Datum																						

model	performance-related components				page 8 11 Bl.
	25 hp EB 18,5W)	30 hp EB (22 kW)	40 hp EB+ FB-C (30 kW)	40 hp FB-S (30 kW)	
machine power supply	460 V ±10 %, 60 Hz	460 V ±10 %, 60 Hz	460 V ±10 %, 60 Hz	460 V ±10 %, 60 Hz	= + UXB.XFC-U3020.04
overload relay soundproofing casing Siemens	-B24 7.8741.00020 3RB3016-1NB0 0,32-1,25 A / S00 setting: 0,57 A NEC 430.32(C) incremental setting: 0,64 A	7.8741.00020 3RB3016-1NB0 0,32-1,25 A / S00 setting: 0,57 A NEC 430.32(C) incremental setting: 0,64 A	7.8741.00020 3RB3016-1NB0 0,32-1,25 A / S00 setting: 0,57 A NEC 430.32(C) incremental setting: 0,64 A	7.8741.00020 3RB3016-1NB0 0,32-1,25 A / S00 setting: 0,57 A NEC 430.32(C) incremental setting: 0,64 A	
Surge protective device Dehn	-F86 7.8669.00020 DG MU 3PY 480 3W+ G	7.8669.00020 DG MU 3PY 480 3W+ G	7.8669.00020 DG MU 3PY 480 3W+ G	7.8669.00020 DG MU 3PY 480 3W+ G	electrical component parts list EB+FB performance-related components
Blower motor Siemens	-M1 894994.0 460 V-D/60 Hz 32,2 A, 3600U	894995.0 460 V-D/60 Hz 38,5 A, 3600U	894997.1 460 V-D/60 Hz 52 A, 3600U	894997.1 460 V-D/60 Hz 52 A, 3600U	
vent motor soundproofing casing Sodeca/ebm	-M4 895040.00040 HC-31-2T / H-I-E 460 V-Y/60 Hz (3PH/GRD) 210W 0,62 A	895040.00040 HC-31-2T / H-I-E 460 V-Y/60 Hz (3PH/GRD) 210W 0,62 A	895040.00040 HC-31-2T / H-I-E 460 V-Y/60 Hz (3PH/GRD) 210W 0,62 A	895426.0 W4D420 (ebm) 460 V-Y/60 Hz (3PH/GRD) 265W 0,62 A	KAESER KOMPRESSOREN Ursprung
vent motor control cabinet Ruebsamen	-M8/-M9 7.2751.00360 LV600 (1Ph/N/GRD) 115 V/60 Hz, 80W 0,7 A	7.2751.00360 LV600 (1Ph/N/GRD) 115 V/60 Hz, 80W 0,7 A	7.2751.00360 LV600 (1Ph/N/GRD) 115 V/60 Hz, 80W 0,7 A	7.2751.00360 LV600 (1Ph/N/GRD) 115 V/60 Hz, 80W 0,7 A	
line commutation reactor Siemens	-R1 integrated ---	integrated ---	integrated ---	integrated ---	Ersatz für:
ferrit bead Magnetec	-R3.1 -R3.2 7.8538.0 (M112) 1x 7.8538.0 (M112)	7.8538.0 (M112) 1x 7.8538.0 (M112)	7.8538.0 (M112) 1x 7.8538.0 (M112)	7.8538.0 (M112) 1x 7.8538.0 (M112)	
interference suppression filter Siemens	-R11 integrated ---	integrated ---	integrated ---	integrated ---	Ersatz durch:
frequency converter control unit instrument panel Siemens	-T1 7.8833.01120 6SL3210-1PE23-8AL0 7.7830.00710 6SL3244-0BB12-1BAx 7.7830.00100 6SL3255-0AA00-4CA1	7.8833.01130 6SL3210-1PE24-5AL0 7.7830.00710 6SL3244-0BB12-1BAx 7.7830.00100 6SL3255-0AA00-4CA1	7.8833.01140 6SL3210-1PE26-0AL0 7.7830.00710 6SL3244-0BB12-1BAx 7.7830.00100 6SL3255-0AA00-4CA1	7.8833.01140 6SL3210-1PE26-0AL0 7.7830.00710 6SL3244-0BB12-1BAx 7.7830.00100 6SL3255-0AA00-4CA1	
motor cable -	-W211 4x6 AWG / 4G16 mm ² 600 V - 80°C - EMV	4x6 AWG / 4G16 mm ² 600 V - 80°C - EMV	4x 4 AWG / 25 mm ² 600 V - 90°C	4x 4 AWG / 25 mm ² 600 V - 90°C	Ersatz durch:
connection -	-W280.1/2 -W281 -W282 8 AWG / 10 mm ² 8 AWG / 10 mm ² 8 AWG / 10 mm ² 600 V - 90°C	6 AWG / 16 mm ² 6 AWG / 16 mm ² 6 AWG / 16 mm ² 600 V - 90°C	4 AWG / 25 mm ² 4 AWG / 25 mm ² 4 AWG / 25 mm ² 600 V - 90°C	4 AWG / 25 mm ² 4 AWG / 25 mm ² 4 AWG / 25 mm ² 600 V - 90°C	
supply terminals U1/V1/W1/GRD	-X0: 894864.00010 Wieland 14-4 AWG/2,5-16 mm ² fig. 2, Sht. 12 Handling Stripped length X 16 mm connection fig. 1, Sht. 13	894864.00010 Wieland 14-4 AWG/2,5-16 mm ² fig. 2, Sht. 12 16 mm fig. 1, Sht. 13	3x 895314.0 3x 895314.00010 4x 895314.00040 Wago 8-1 AWG/10-50 mm ² fig. 3, Sht. 12 30 mm fig. 2, Sht. 13	3x 895314.0 3x 895314.00010 4x 895314.00040 Wago 8-1 AWG/10-50 mm ² fig. 3, Sht. 12 30 mm fig. 2, Sht. 13	Datum 05.02.2018 Bearbeiter M.Zeeh Geprüft M.Zeeh Name Datum
supply					

model	performance-related components				page 9	11 Bl.
	50 hp EB+ FB-C (37 kW)	50 hp FB-S (37 kW)	60 hp EB+ FB-C (45 kW)	60 hp FB-S (45 kW)		
machine power supply	460 V ±10 %, 60 Hz	460 V ±10 %, 60 Hz	460 V ±10 %, 60 Hz	460 V ±10 %, 60 Hz	= + UXB.XFC-U3020.04	
overload relay soundproofing casing	-B24 7.8741.00020 3RB3016-1NB0 0,32-1,25 A / S00 setting: 0,57 A NEC 430.32(C) incremental setting: 0,64 A Siemens	7.8741.00020 3RB3016-1NB0 0,32-1,25 A / S00 setting: 0,57 A NEC 430.32(C) incremental setting: 0,64 A	7.8741.00020 3RB3016-1NB0 0,32-1,25 A / S00 setting: 0,57 A NEC 430.32(C) incremental setting: 0,64 A	7.8741.00020 3RB3016-1NB0 0,32-1,25 A / S00 setting: 0,57 A NEC 430.32(C) incremental setting: 0,64 A		
Surge protective device	-F86 Dehn 7.8669.00020 DG MU 3PY 480 3W+ G	7.8669.00020 DG MU 3PY 480 3W+ G	7.8669.00020 DG MU 3PY 480 3W+ G	7.8669.00020 DG MU 3PY 480 3W+ G		
Blower motor	-M1 894978.1 460 V-D/60 Hz 63,3 A, 3600U Siemens	894978.1 460 V-D/60 Hz 63,3 A, 3600U	894979.1 460 V-D/60 Hz 78 A, 3600U	894979.1 460 V-D/60 Hz 78 A, 3600U		
vent motor soundproofing casing	-M4 895040.00040 HC-31-2T / H-I-E 460 V-Y/60 Hz (3PH/GRD) 210W 0,62 A Sodeca/ebm	895426.0 W4D420 (ebm) 460 V-Y/60 Hz (3PH/GRD) 265W 0,62 A	895040.00040 HC-31-2T / H-I-E 460 V-Y/60 Hz (3PH/GRD) 210W 0,62 A	895426.0 W4D420 (ebm) 460 V-Y/60 Hz (3PH/GRD) 265W 0,62 A		
vent motor control cabinet	-M8/-M9 7.2751.00360 LV600 (1Ph/N/GRD) 115 V/60 Hz, 80W 0,7 A Ruebsamen	7.2751.00360 LV600 (1Ph/N/GRD) 115 V/60 Hz, 80W 0,7 A	7.2751.00360 LV600 (1Ph/N/GRD) 115 V/60 Hz, 80W 0,7 A	7.2751.00360 LV600 (1Ph/N/GRD) 115 V/60 Hz, 80W 0,7 A		
line commutation reactor	-R1 Siemens integrated ---	integrated ---	integrated ---	integrated ---		
ferrit bead	-R3.1 -R3.2 Magnetec 7.8538.0 (M112) 2x 7.8538.0 (M112)	7.8538.0 (M112) 2x 7.8538.0 (M112)	7.8538.0 (M112) 2x 7.8538.0 (M112)	7.8538.0 (M112) 2x 7.8538.0 (M112)		
interference suppression filter	-R11 Siemens integrated ---	integrated ---	integrated ---	integrated ---		
frequency converter control unit instrument panel	-T1 7.8833.01150 6SL3210-1PE27-5AL0 7.7830.00710 6SL3244-0BB12-1BAx 7.7830.00100 Siemens 6SL3255-0AA00-4CA1	7.8833.01150 6SL3210-1PE27-5AL0 7.7830.00710 6SL3244-0BB12-1BAx 7.7830.00100 6SL3255-0AA00-4CA1	7.8833.01160 6SL3210-1PE28-8AL0 7.7830.00710 6SL3244-0BB12-1BAx 7.7830.00100 6SL3255-0AA00-4CA1	7.8833.01160 6SL3210-1PE28-8AL0 7.7830.00710 6SL3244-0BB12-1BAx 7.7830.00100 6SL3255-0AA00-4CA1		
motor cable	-W211 3x 2 AWG / 35 mm² 4 AWG / 25 mm² (GRD) 600 V - 90°C	3x 2 AWG / 35 mm² 4 AWG / 25 mm² (GRD) 600 V - 90°C	3x 1 AWG / 50 mm² 4 AWG / 25 mm² (GRD) 600 V - 90°C	3x 1 AWG / 50 mm² 4 AWG / 25 mm² (GRD) 600 V - 90°C		
connection	-W280.1/2 -W281 -W282 2 AWG / 35 mm² 2 AWG / 35 mm² 2 AWG / 35 mm² 600 V - 90°C	2 AWG / 35 mm² 2 AWG / 35 mm² 2 AWG / 35 mm² 600 V - 90°C	2 AWG / 35 mm² 2 AWG / 35 mm² 2 AWG / 35 mm² 600 V - 90°C	2 AWG / 35 mm² 2 AWG / 35 mm² 2 AWG / 35 mm² 600 V - 90°C		
supply terminals	-X0: U1/V1/W1/GRD 3x 895314.0 3x 895314.00010 4x 895314.00040 Wago 8-1 AWG/10-50 mm² fig. 3, Sht. 12	3x 895314.0 3x 895314.00010 4x 895314.00040 Wago 8-1 AWG/10-50 mm² fig. 3, Sht. 12	3x 894385.0 3x 894385.00010 4x 894385.00040 Wago 4-4/0 AWG/25-95 mm² fig. 3, Sht. 12	3x 894385.0 3x 894385.00010 4x 894385.00040 25-95 mm² Wago 4-4/0 AWG/25-95 mm² fig. 3, Sht. 12		
supply	Handling Stripped length X connection 30 mm fig. 2, Sht. 13	30 mm fig. 2, Sht. 13	36 mm fig. 2, Sht. 13	36 mm fig. 2, Sht. 13		

electrical component parts list
EB+FB
performance-related components

KAESER
KOMPRESSOREN
Ursprung:

Ersatz für:

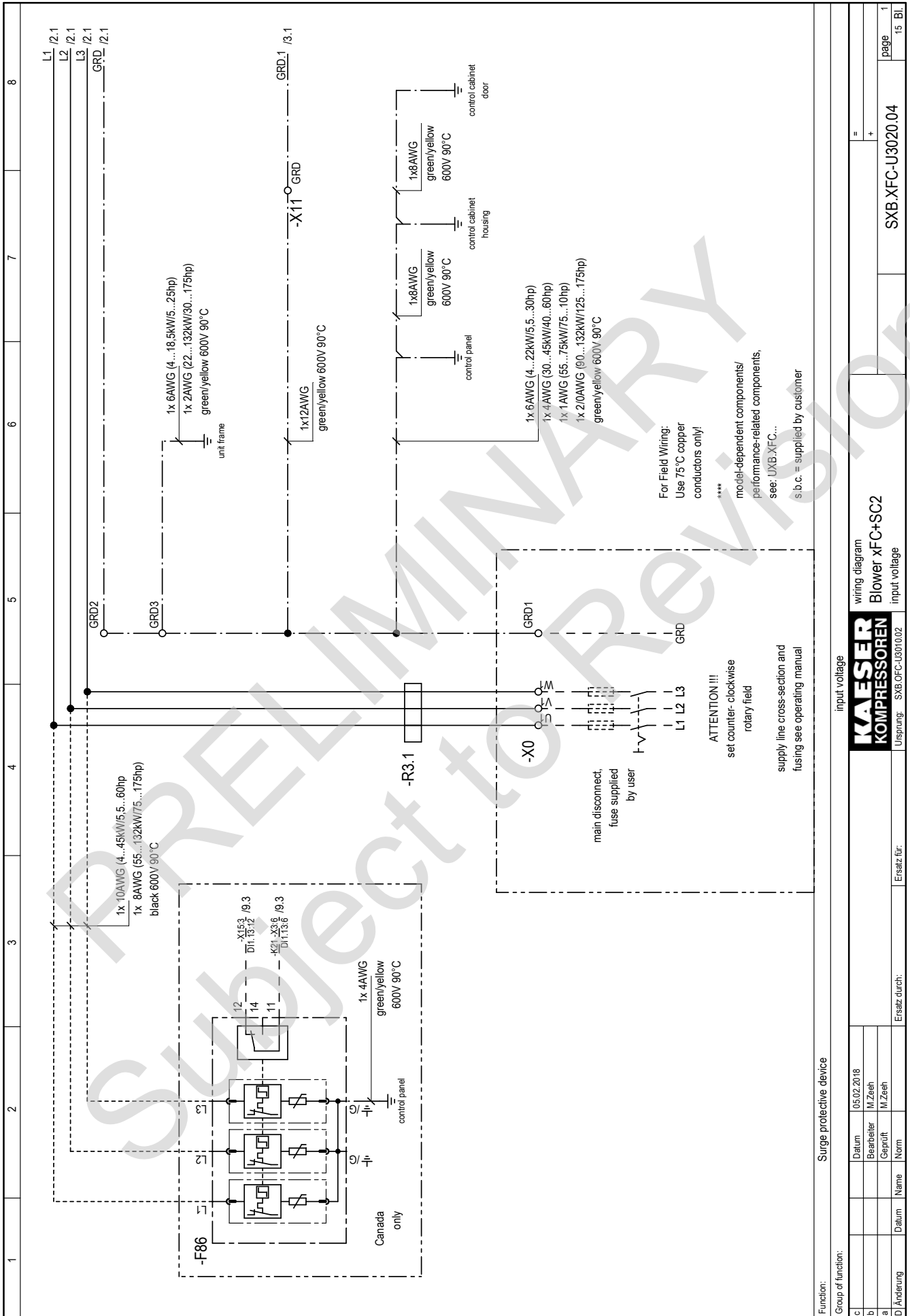
Ersatz durch:

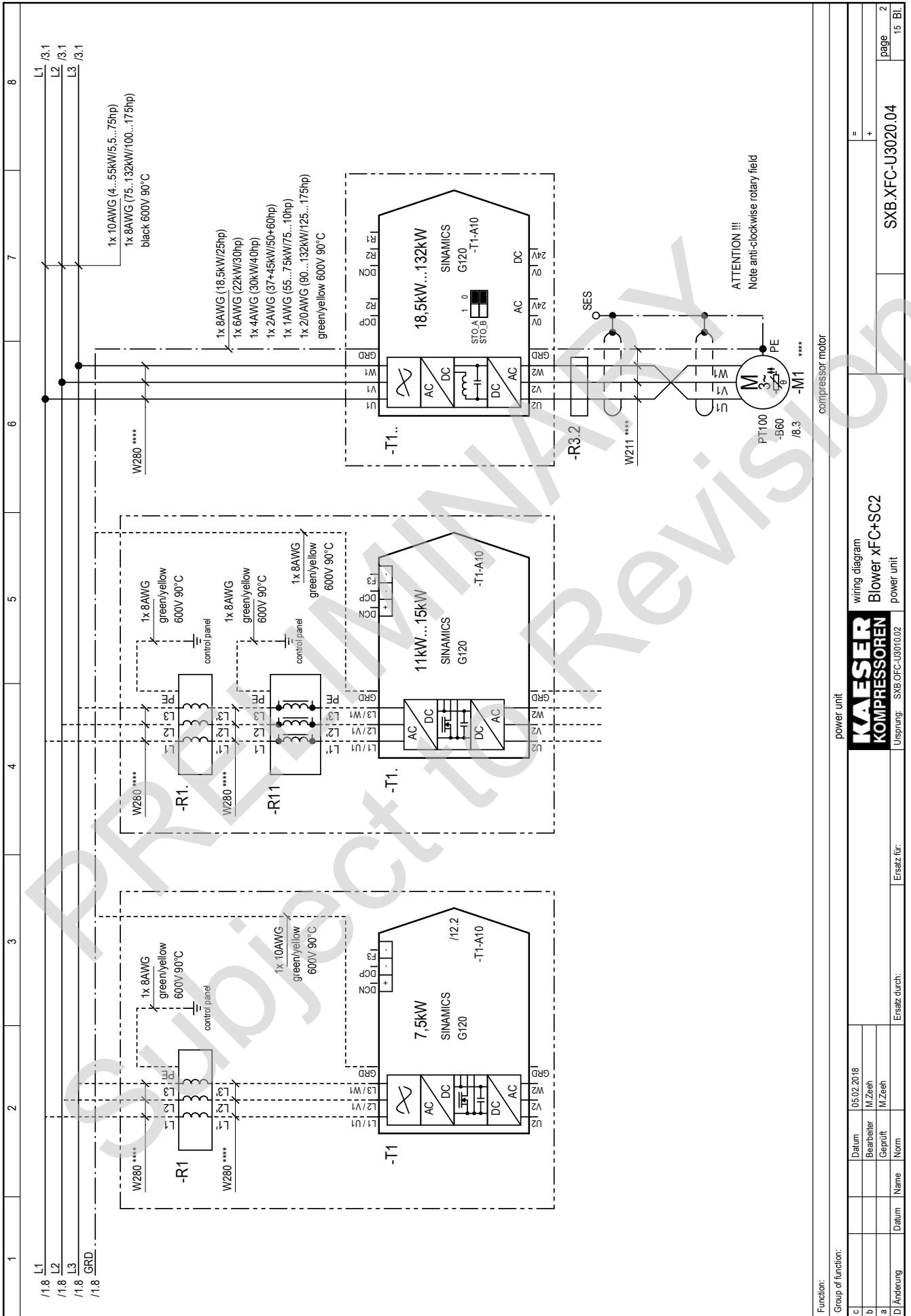
c	Datum	05.02.2018
b	Bearbeiter	M.Zeeh
a	Geprüft	IM.Zeeh
	Norm	

	Name	
	Datum	
	C-Änderung	

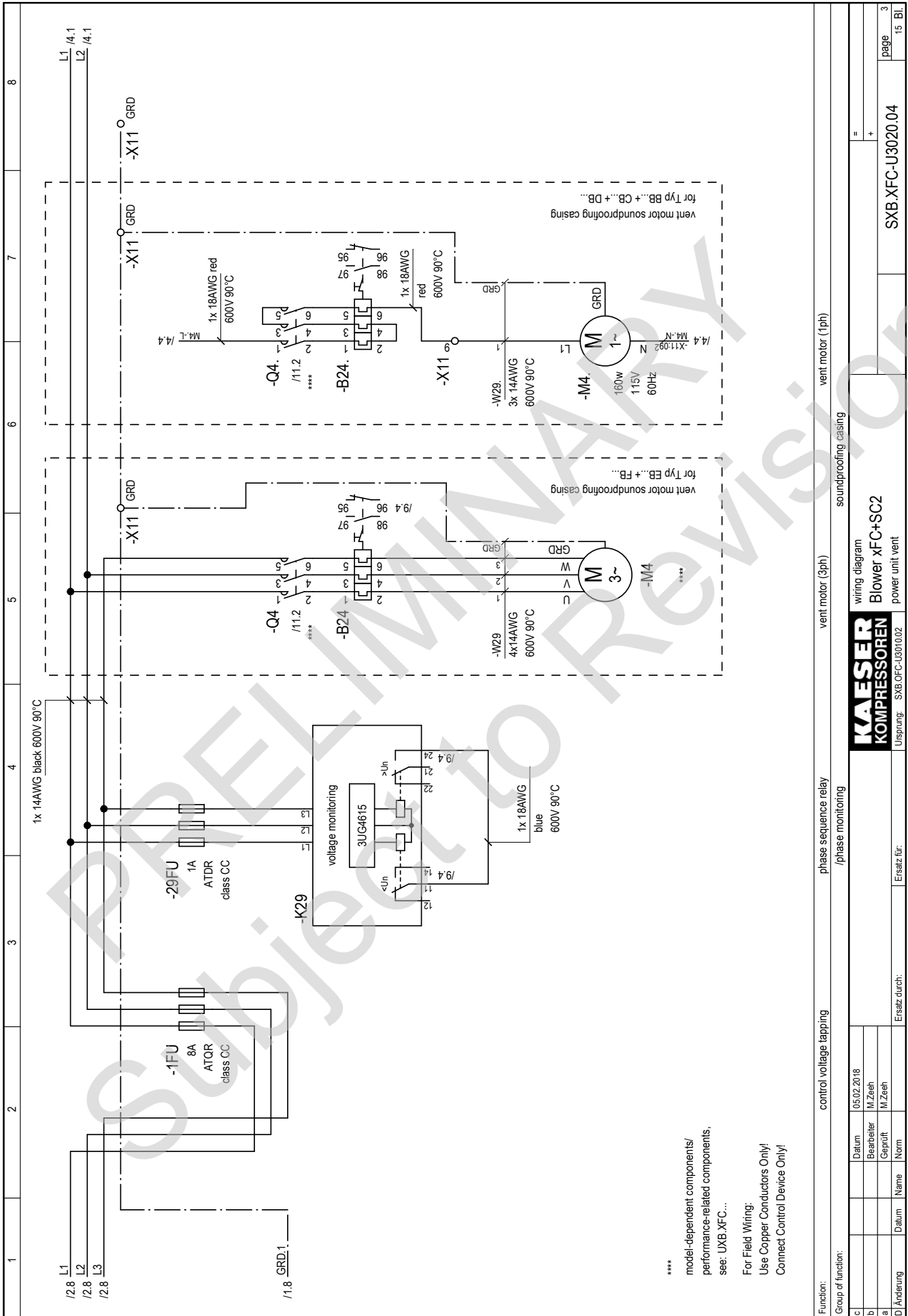
model	performance-related components				page 10 11 Bl.
	75 hp EB+ FB (55 kW)	75 hp FB-S (55 kW)	100 hp EB+ FB-C (75 kW)	100 hp FB-S (75 kW)	
machine power supply	460 V ±10 %, 60 Hz	460 V ±10 %, 60 Hz	460 V ±10 %, 60 Hz	460 V ±10 %, 60 Hz	= + UXB.XFC-U3020.04
overload relay soundproofing casing	-B24 7.8741.00020 3RB3016-1NB0 0,32-1,25 A / S00 setting: 0,57 A NEC 430.32(C) incremental setting: 0,64 A Siemens	7.8741.00020 3RB3016-1NB0 0,32-1,25 A / S00 setting: 0,57 A NEC 430.32(C) incremental setting: 0,64 A	7.8741.00020 3RB3016-1NB0 0,32-1,25 A / S00 setting: 0,57 A NEC 430.32(C) incremental setting: 0,64 A	7.8741.00020 3RB3016-1NB0 0,32-1,25 A / S00 setting: 0,57 A NEC 430.32(C) incremental setting: 0,64 A	
Surge protective device	-F86 Dehn 7.8669.00020 DG MU 3PY 480 3W+ G	7.8669.00020 DG MU 3PY 480 3W+ G	7.8669.00020 DG MU 3PY 480 3W+ G	7.8669.00020 DG MU 3PY 480 3W+ G	electrical component parts list EB+FB performance-related components
Blower motor	-M1 Siemens 894717.11000 460 V-D/60 Hz 92 A, 3600U	894717.11000 460 V-D/60 Hz 92 A, 3600U	894719.11000 460 V-D/60 Hz 125 A, 3600U	894719.11000 460 V-D/60 Hz 125 A, 3600U	
vent motor soundproofing casing	-M4 Sodeca/ebm 895040.00040 HC-31-2T / H-I-E 460 V-Y/60 Hz (3PH/GRD) 210W 0,62 A	895426.0 W4D420 (ebm) 460 V-Y/60 Hz (3PH/GRD) 265W 0,62 A	895040.00040 HC-31-2T / H-I-E 460 V-Y/60 Hz (3PH/GRD) 210W 0,62 A	895426.0 W4D420 (ebm) 460 V-Y/60 Hz (3PH/GRD) 265W 0,62 A	KAESER KOMPRESSOREN Ursprung
vent motor control cabinet	-M8/-M9 Ruebsamen 7.2751.00360 LV600 (1Ph/N/GRD) 115 V/60 Hz, 80W 0,7 A	7.2751.00360 LV600 (1Ph/N/GRD) 115 V/60 Hz, 80W 0,7 A	7.2751.00360 LV600 (1Ph/N/GRD) 115 V/60 Hz, 80W 0,7 A	7.2751.00360 LV600 (1Ph/N/GRD) 115 V/60 Hz, 80W 0,7 A	
line commutation reactor	-R1 Siemens integrated ---	integrated ---	integrated ---	integrated ---	Ersatz für:
ferrit bead	-R3.1 -R3.2 Magnetec 7.8538.00020 (M113) 2x 7.8538.00020 (M113)	7.8538.00020 (M113) 2x 7.8538.00020 (M113)	7.8538.00020 (M113) 1x 7.8538.00020 (M113)	7.8538.00020 (M113) 1x 7.8538.00020 (M113)	
interference suppression filter	-R11 Siemens integrated ---	integrated ---	integrated ---	integrated ---	Ersatz durch:
frequency converter control unit instrument panel	-T1 Siemens 7.8833.01170 6SL3210-1PE31-1AL0 7.7830.00710 6SL3244-0BB12-1BAx 7.7830.00100 6SL3255-0AA00-4CA1	7.8833.01170 6SL3210-1PE31-1AL0 7.7830.00710 6SL3244-0BB12-1BAx 7.7830.00100 6SL3255-0AA00-4CA1	7.8833.01180 6SL3210-1PE31-5AL0 7.7830.00710 6SL3244-0BB12-1BAx 7.7830.00100 6SL3255-0AA00-4CA1	7.8833.01180 6SL3210-1PE31-5AL0 7.7830.00710 6SL3244-0BB12-1BAx 7.7830.00100 6SL3255-0AA00-4CA1	
motor cable	-W211 3x 2/0 AWG / 70 mm ² 2 AWG / 35 mm ² (GRD) 600 V - 90°C	3x 2/0 AWG / 70 mm ² 2 AWG / 35 mm ² (GRD) 600 V - 90°C	3x 3/0 AWG / 95 mm ² 1 AWG / 50 mm ² (GRD) 600 V - 90°C	3x 3/0 AWG / 95 mm ² 1 AWG / 50 mm ² (GRD) 600 V - 90°C	Ersatz durch:
connection	-W280.1/2 -W281 -W282 1 AWG / 50 mm ² 1 AWG / 50 mm ² 1 AWG / 50 mm ² 600 V - 90°C	1 AWG / 50 mm ² 1 AWG / 50 mm ² 1 AWG / 50 mm ² 600 V - 90°C	2/0 AWG / 70 mm ² 2/0 AWG / 70 mm ² 2/0 AWG / 70 mm ² 600 V - 90°C	2/0 AWG / 70 mm ² 2/0 AWG / 70 mm ² 2/0 AWG / 70 mm ² 600 V - 90°C	
supply terminals	-X0: U1/V1/W1/GRD 3x 894385.0 3x 894385.00010 4x 894385.00040 Wago 4-4/0 AWG/25-95 mm ² fig. 3, Sht. 12 Handling Stripped length X 36 mm connection fig. 2, Sht. 13	3x 894385.0 3x 894385.00010 4x 894385.00040 Wago 4-4/0 AWG/25-95 mm ² fig. 3, Sht. 12 36 mm fig. 2, Sht. 13	3x 894385.0 3x 894385.00010 4x 894385.00040 Wago 4-4/0 AWG/25-95 mm ² fig. 3, Sht. 12 36 mm fig. 2, Sht. 13	3x 894385.0 3x 894385.00010 4x 894385.00040 Wago 4-4/0 AWG/25-95 mm ² fig. 3, Sht. 12 36 mm fig. 2, Sht. 13	c 05.02.2018 Datum a M.Zeeh Bearbeiter b M.Zeeh Geprüft d Name Datum C-Änderung

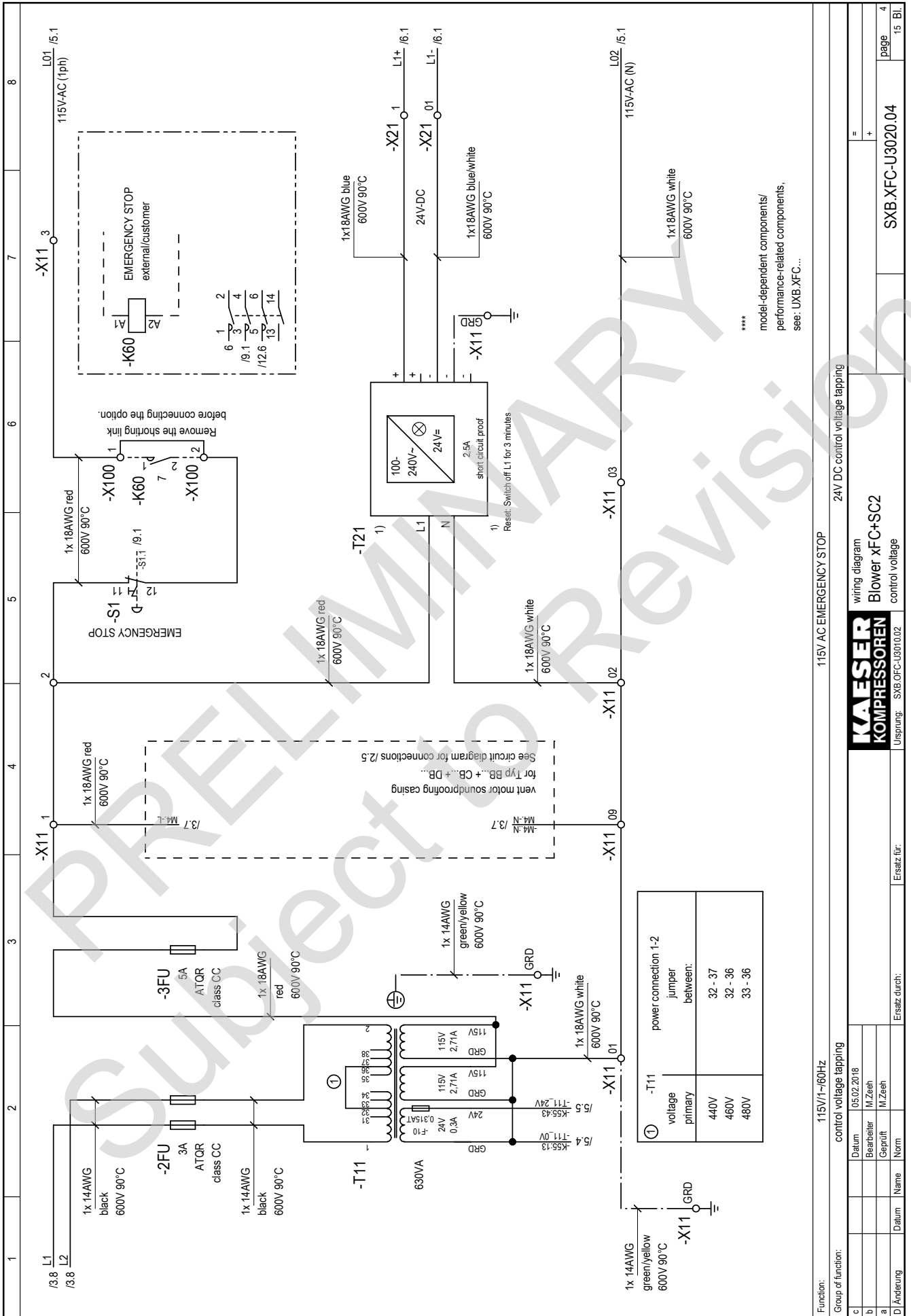
model	performance-related components					page 11 11 Bl.
	125 hp FB-C (90 kW)	125 hp FB-S (90 kW)	150 hp FB-C (110 kW)	150 hp FB-S (110 kW)	175 hp FB (132 kW)	
machine power supply	460 V ±10 %, 60 Hz	460 V ±10 %, 60 Hz	460 V ±10 %, 60 Hz	460 V ±10 %, 60 Hz	460 V ±10 %, 60 Hz	= + UXB.XFC-U3020.04
overload relay soundproofing casing	-B24 7.8741.00020 3RB3016-1NB0 0,32-1,25 A / S00 setting: 0,57 A NEC 430.32(C) incremental setting: 0,64 A Siemens	7.8741.00020 3RB3016-1NB0 0,32-1,25 A / S00 setting: 0,57 A NEC 430.32(C) incremental setting: 0,64 A	7.8741.00020 3RB3016-1NB0 0,32-1,25 A / S00 setting: 0,57 A NEC 430.32(C) incremental setting: 0,64 A	7.8741.00020 3RB3016-1NB0 0,32-1,25 A / S00 setting: 0,57 A NEC 430.32(C) incremental setting: 0,64 A	7.8741.00020 3RB3016-1NB0 0,32-1,25 A / S00 setting: 0,57 A NEC 430.32(C) incremental setting: 0,64 A	
Surge protective device	-F86 Dehn 7.8669.00020 DG MU 3PY 480 3W+ G	7.8669.00020 DG MU 3PY 480 3W+ G	7.8669.00020 DG MU 3PY 480 3W+ G	7.8669.00020 DG MU 3PY 480 3W+ G	7.8669.00020 DG MU 3PY 480 3W+ G	electrical component parts list FB performance-related components
Blower motor	-M1 Siemens 894723.11000 460 V-D/60 Hz 158 A, 1800U	894722.11000 460 V-D/60 Hz 149 A, 3600U	895025.11000 460 V-D/60 Hz 191 A, 1800U	894724.11000 460 V-D/60 Hz 185 A, 3600U	894726.11000 460 V-D/60 Hz 225 A, 1800U	
vent motor soundproofing casing	-M4 Sodeca/ebm 895040.00040 HC-31-2T / H-I-E 460 V-Y/60 Hz (3PH/GRD) 210W 0,62 A	895426.0 W4D420 (ebm) 460 V-Y/60 Hz (3PH/GRD) 265W 0,62 A	895040.00040 HC-31-2T / H-I-E 460 V-Y/60 Hz (3PH/GRD) 210W 0,62 A	895426.0 W4D420 (ebm) 460 V-Y/60 Hz (3PH/GRD) 265W 0,62 A	895040.00040 HC-31-2T / H-I-E 460 V-Y/60 Hz (3PH/GRD) 210W 0,62 A	KAESER KOMPRESSOREN Ursprung:
vent motor control cabinet	-M8/-M9 Ruebsamen 7.2751.00360 LV600 (1Ph/N/GRD) 115 V/60 Hz, 80W 0,7 A	7.2751.00360 LV600 (1Ph/N/GRD) 115 V/60 Hz, 80W 0,7 A	7.2751.00360 LV600 (1Ph/N/GRD) 115 V/60 Hz, 80W 0,7 A	7.2751.00360 LV600 (1Ph/N/GRD) 115 V/60 Hz, 80W 0,7 A	7.2751.00360 LV600 (1Ph/N/GRD) 115 V/60 Hz, 80W 0,7 A	
line commutation reactor	-R1 Siemens integrated ---	integrated ---	integrated ---	integrated ---	integrated ---	Ersatz für:
ferrit bead	-R3.1 -R3.2 Magnetec 7.8538.00020 (M113) 1x 7.8538.00020 (M113)	7.8538.00020 (M113) 1x 7.8538.00020 (M113)	7.8538.00020 (M113) 1x 7.8538.00020 (M113)	7.8538.00020 (M113) 1x 7.8538.00020 (M113)	7.8538.00020 (M113) 1x 7.8538.00020 (M113)	
interference suppression filter	-R11 Siemens integrated ---	integrated ---	integrated ---	integrated ---	integrated ---	Ersatz durch:
frequency converter control unit instrument panel	-T1 Siemens 7.8833.01190 6SL3210-1PE31-8AL0 7.7830.00710 6SL3244-0BB12-1BAx 7.7830.00100 6SL3255-0AA00-4CA1	7.8833.01190 6SL3210-1PE31-8AL0 7.7830.00710 6SL3244-0BB12-1BAx 7.7830.00100 6SL3255-0AA00-4CA1	7.8833.01200 6SL3210-1PE32-1AL0 7.7830.00710 6SL3244-0BB12-1BAx 7.7830.00100 6SL3255-0AA00-4CA1	7.8833.01200 6SL3210-1PE32-1AL0 7.7830.00710 6SL3244-0BB12-1BAx 7.7830.00100 6SL3255-0AA00-4CA1	7.8833.01210 6SL3210-1PE32-5AL0 7.7830.00710 6SL3244-0BB12-1BAx 7.7830.00100 6SL3255-0AA00-4CA1	
motor cable	-W211 3x 4/0 AWG / 120 mm ² 2/0 AWG / 70 mm ² (GRD) 600 V - 90°C	3x 4/0 AWG / 120 mm ² 2/0 AWG / 70 mm ² (GRD) 600 V - 90°C	3x 4/0 AWG / 120 mm ² 2/0 AWG / 70 mm ² (GRD) 600 V - 90°C	3x 4/0 AWG / 120 mm ² 2/0 AWG / 70 mm ² (GRD) 600 V - 90°C	3x 4/0 AWG / 120 mm ² 2/0 AWG / 70 mm ² (GRD) 600 V - 90°C	Datum 05.02.2018
connection	-W280.1/2 -W281 -W282 3/0 AWG / 95 mm ² 3/0 AWG / 95 mm ² 3/0 AWG / 95 mm ² 600 V - 90°C	3/0 AWG / 95 mm ² 3/0 AWG / 95 mm ² 3/0 AWG / 95 mm ² 600 V - 90°C	4/0 AWG / 120 mm ² 4/0 AWG / 120 mm ² 4/0 AWG / 120 mm ² 600 V - 90°C	4/0 AWG / 120 mm ² 4/0 AWG / 120 mm ² 4/0 AWG / 120 mm ² 600 V - 90°C	2x 2/0 AWG / 70 mm ² 4/0 AWG / 120 mm ² 4/0 AWG / 120 mm ² 600 V - 90°C	
supply terminals	-X0: U1/N1/W1 Handling Stripped length X 6x 894385.0 3x 894385.00030 3x 894385.00040 Wago 4-4/0AWG / 25-95mm ² fig. 3, Sht. 13 36 mm	6x 894385.0 3x 894385.00030 3x 894385.00040 Wago 4-4/0AWG / 25-95mm ² fig. 3, Sht. 13 36 mm	6x 895545.0 3x 895545.00030 3x 895545.00040 Wago (50-185mm ²) 1 AWG - 350 MCM fig. 3, Sht. 13 45 mm	6x 895545.0 3x 895545.00030 3x 895545.00040 Wago (50-185mm ²) 1 AWG - 350 MCM fig. 3, Sht. 13 45 mm	6x 895545.0 3x 895545.00030 3x 895545.00040 Wago (50-185mm ²) 1 AWG - 350 MCM fig. 3, Sht. 13 45 mm	Geprüft M.Zeeh
PE-rail	-X0:PE Torque Stripped length X 832489.00010 15Nm 25 mm+ Conductor crimp pins	832489.00010 15Nm 25 mm+ Conductor crimp pins	832489.00010 15Nm 25 mm+ Conductor crimp pins	832489.00010 15Nm 25 mm+ Conductor crimp pins	832489.00010 15Nm 25 mm+ Conductor crimp pins	Norm
supply	-connection fig. 3, Sht. 15	fig. 3, Sht. 15	fig. 3, Sht. 15	fig. 3, Sht. 15	fig. 3, Sht. 15	Name
						Datum
						C-Änderung



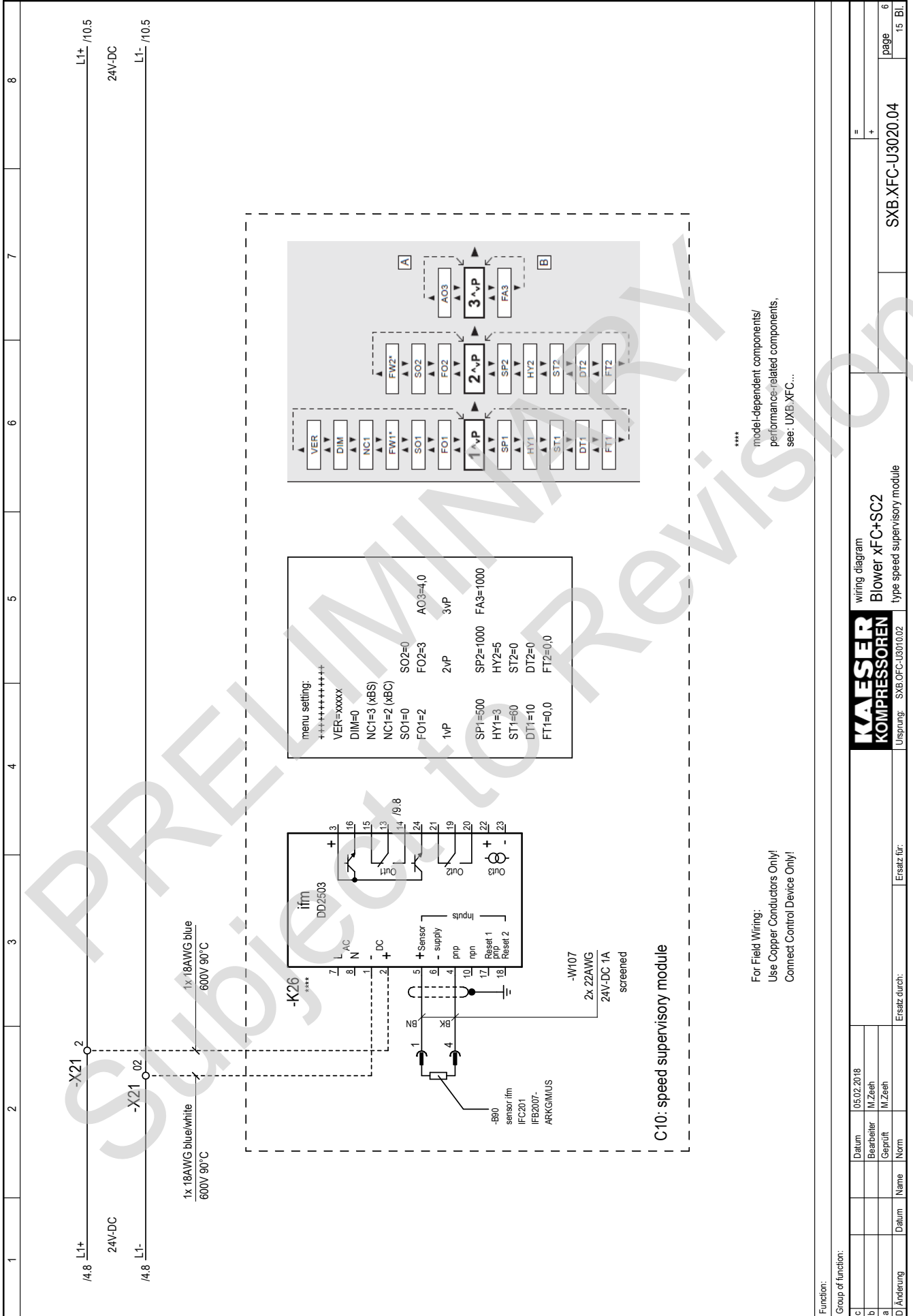


Function:		power unit	
Group of function:		wiring diagram	
c	Datum	05.02.2018	=
b	Bearbeiter	M.Zeeh	+
a	Geprüft	M.Zeeh	
D	Änderung	Datum	Name
			Ersatz durch:
			Ersatz für:
			power unit
			Blower xFC+SC2
			power unit
			Origin: SXB.DFC-LB3010.02
			SXB.XFC-U3020.04
			page 2
			15 Bl.

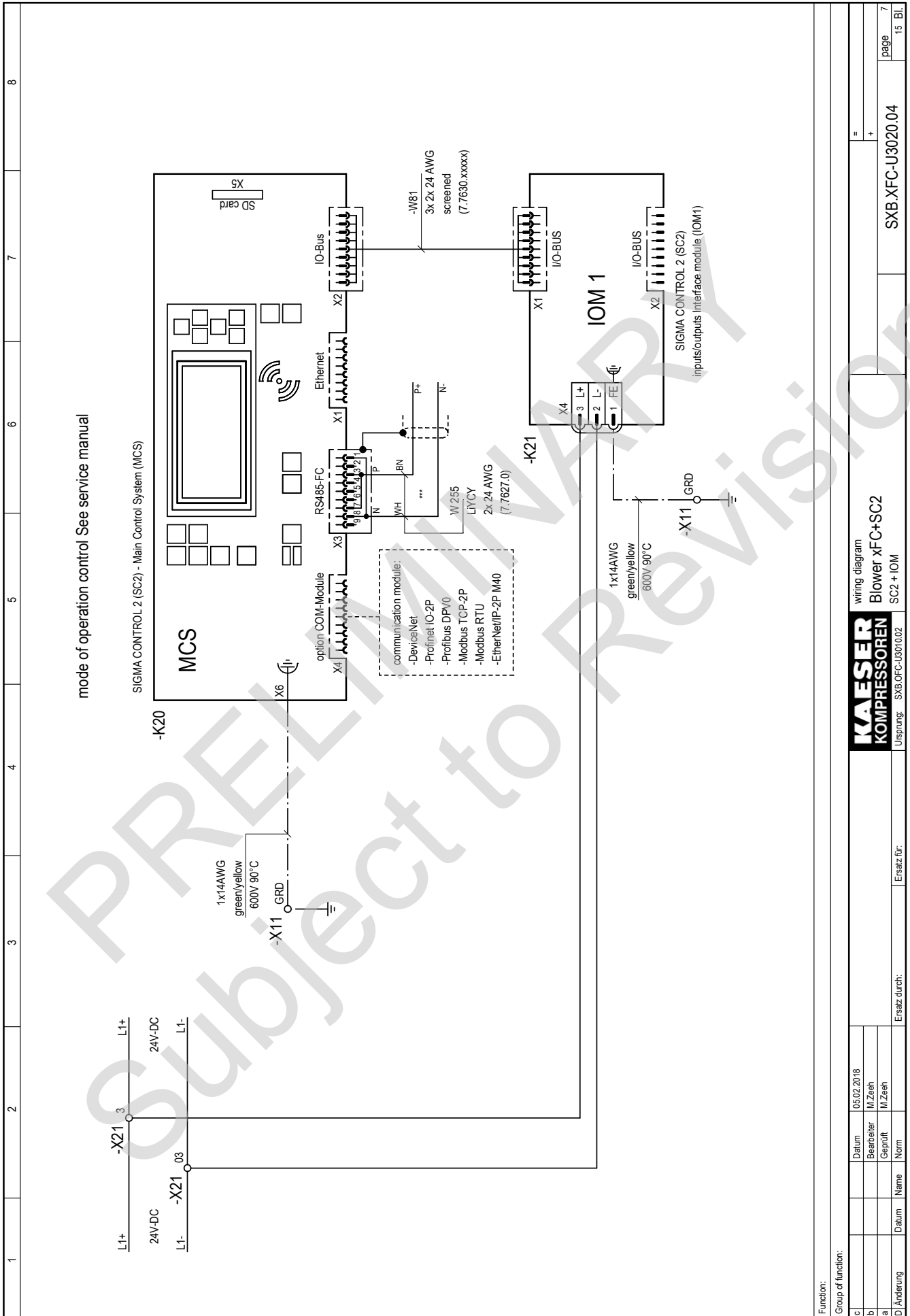




Function:		115V/1~60Hz	
Group of function:		control voltage tapping	
c	Datum	05.02.2018	
b	Bearbeiter	M.Zeeh	
a	Geprüft	M.Zeeh	
D	Änderung	Datum	Name
Ersatz durch:		Ersatz für:	
wiring diagram		Blower xFC+SC2	
control voltage		control voltage	
24V DC control voltage tapping		115V AC EMERGENCY STOP	
=		SXB.XFC-U3020.04	
+		page 4	
		15 Bl.	



Function:			
Group of function:			
c	Datum	05.02.2018	=
b	Bearbeiter	M.Zeesh	+
a	Geprüft	M.Zeesh	
D	Änderung	Datum Name Norm	
Ersatz durch:		Ersatz für:	
wiring diagram		Blower xFC+SC2	
type speed supervisory module		SXB.XFC-U3020.04	
URsprung: SXB.DFC-L3010.02		page 6	
		15 Bl.	



Function:

Group of function:

Datum	05.02.2018
Bearbeiter	M.Zeeh
Geprüft	M.Zeeh
Norm	
Datum	
Name	
Ersatz durch:	
Ersatz für:	

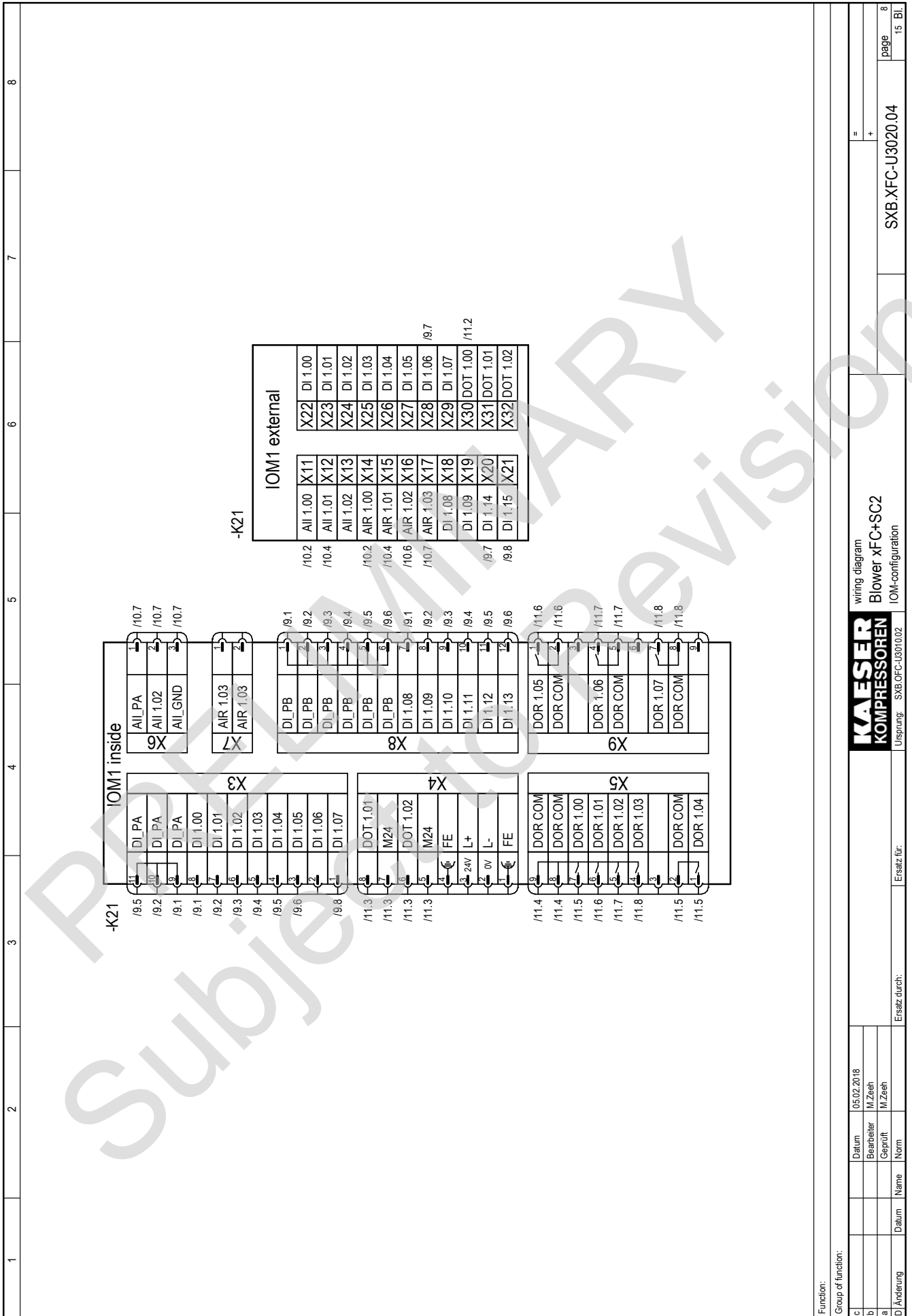
KAESER
KOMPRESSOREN

wiring diagram
Blower xFC+SC2
SC2 + IOM

Ursprung: SXB.DFC-L3010.02

SXB.XFC-U3020.04

page 7
15 Bl.



Function:

Group of function:

c	Datum	05.02.2018
b	Bearbeiter	M.Zeeh
a	Geprüft	M.Zeeh
d	Norm	

Ersatz durch:

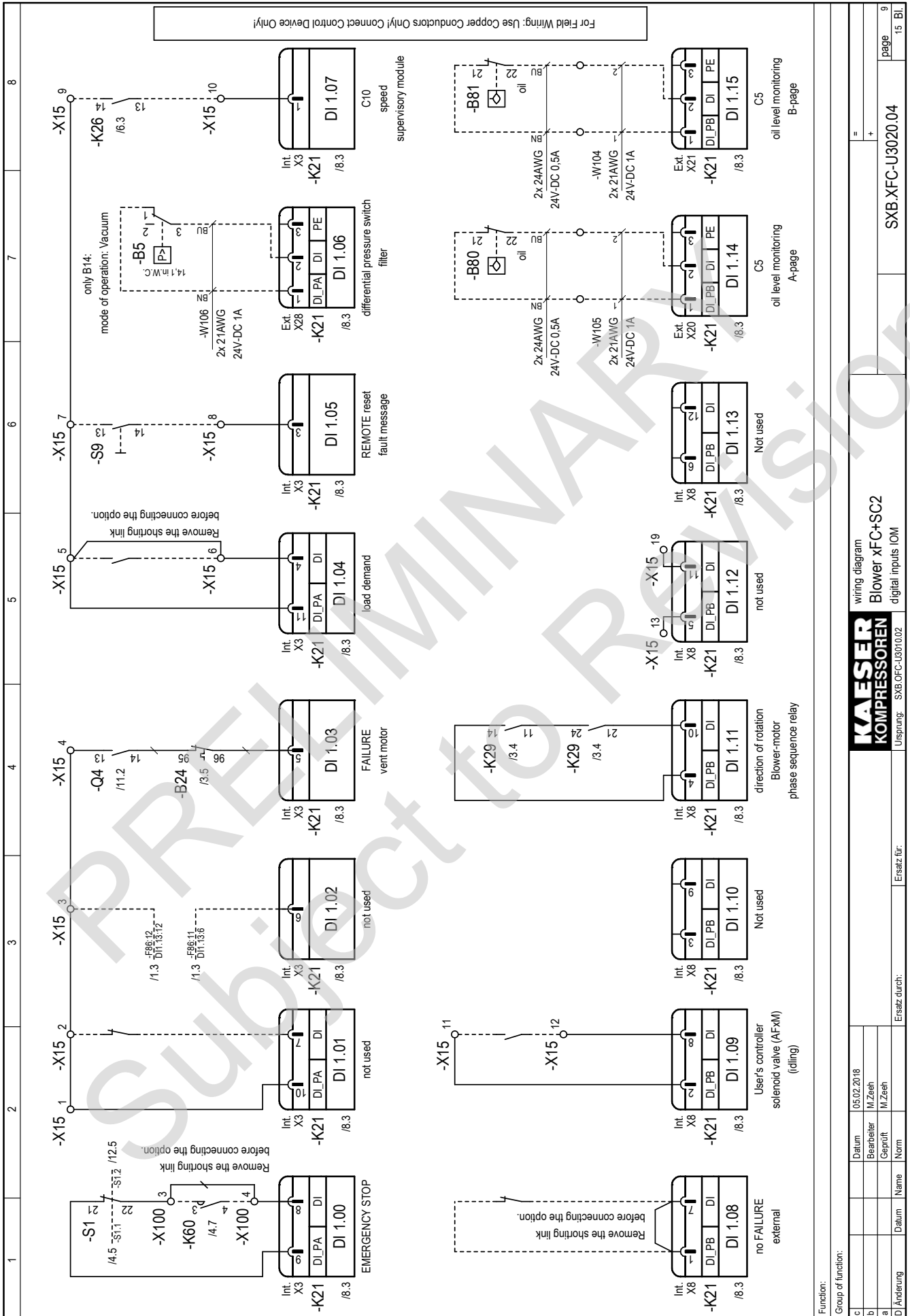
Ersatz für:

KAESER
KOMPRESSOREN
Ursprung: SXB OFC-U3010.02

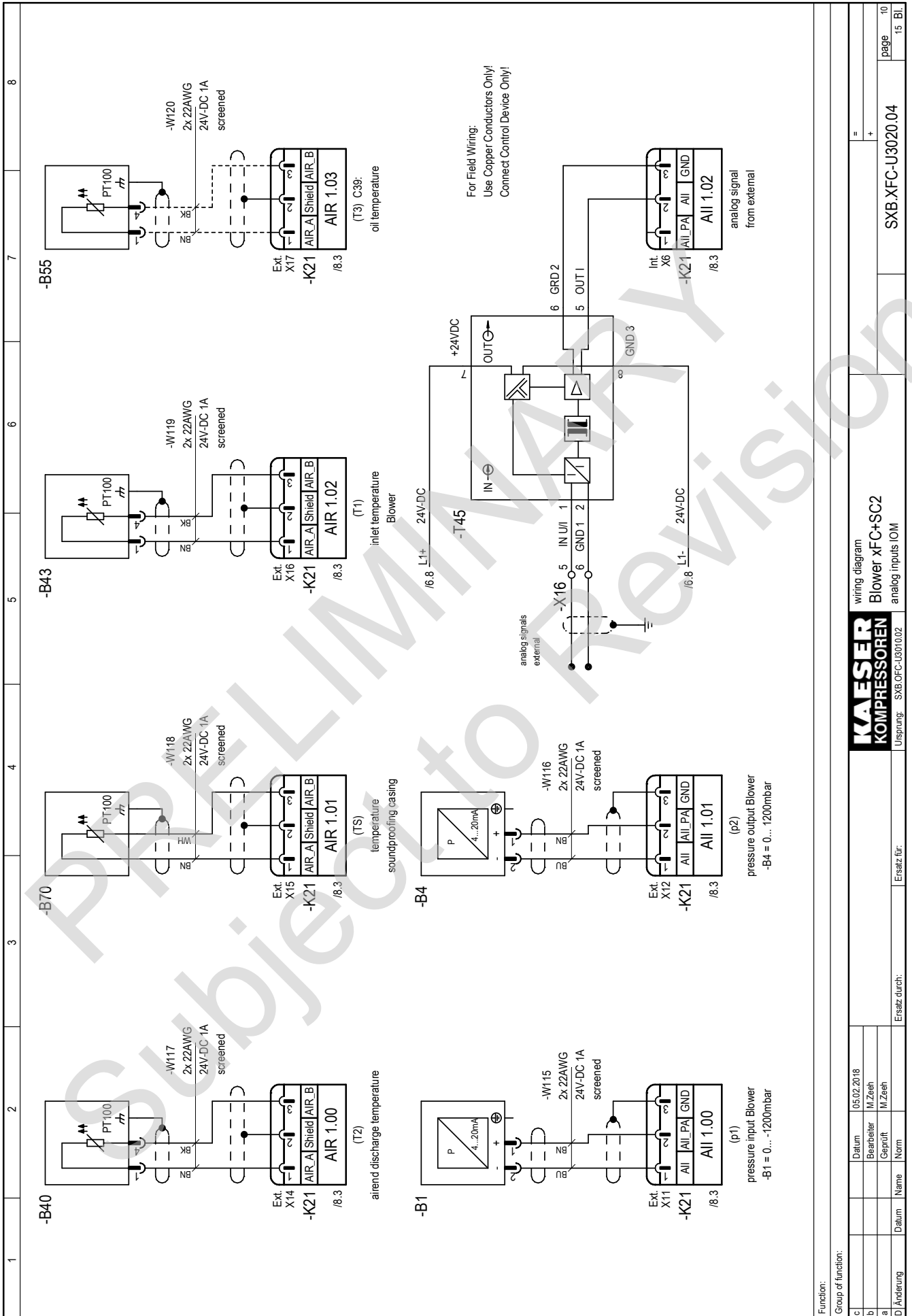
wiring diagram
Blower xFC+SC2
IOM-configuration

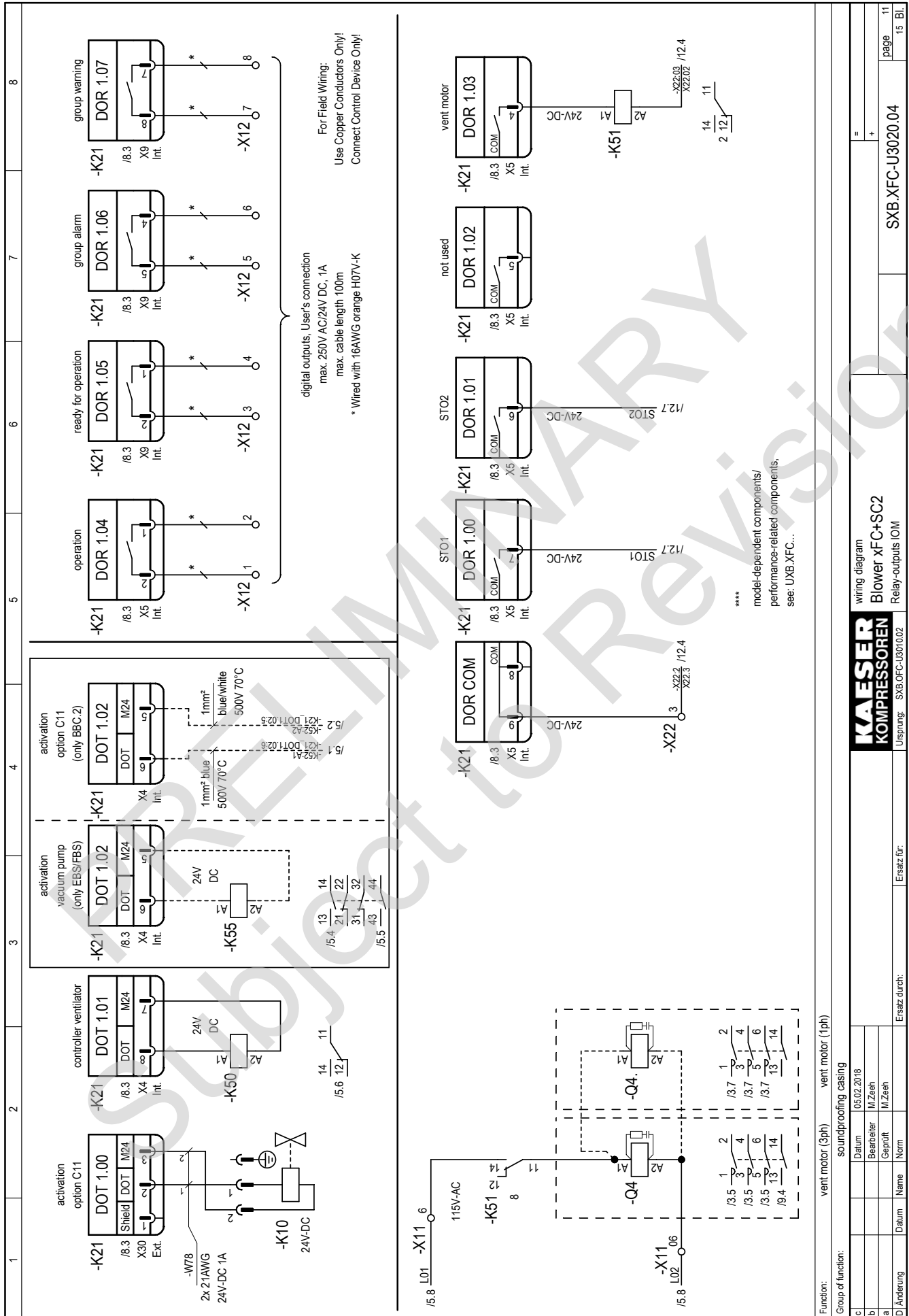
SXB.XFC-U3020.04

page 8
15 Bl.



Function:		=	
Group of function:		+	
c	Datum	05.02.2018	
b	Bearbeiter	M.Zeesh	
a	Geprüft	M.Zeesh	
d	Norm		
D	Änderung	Datum	Name
Ersatz durch:		Ersatz für:	
wiring diagram		Blower xFC+SC2	
digital inputs IOM		SX8.XFC-U3020.04	
Ursprung:		SX8.DFC-L3010.02	
page		15 Bl.	





KAESER
KOMPRESSOREN

wiring diagram
Blower xFC+SC2
Relay-outputs IOM

page 11
15 Bl.

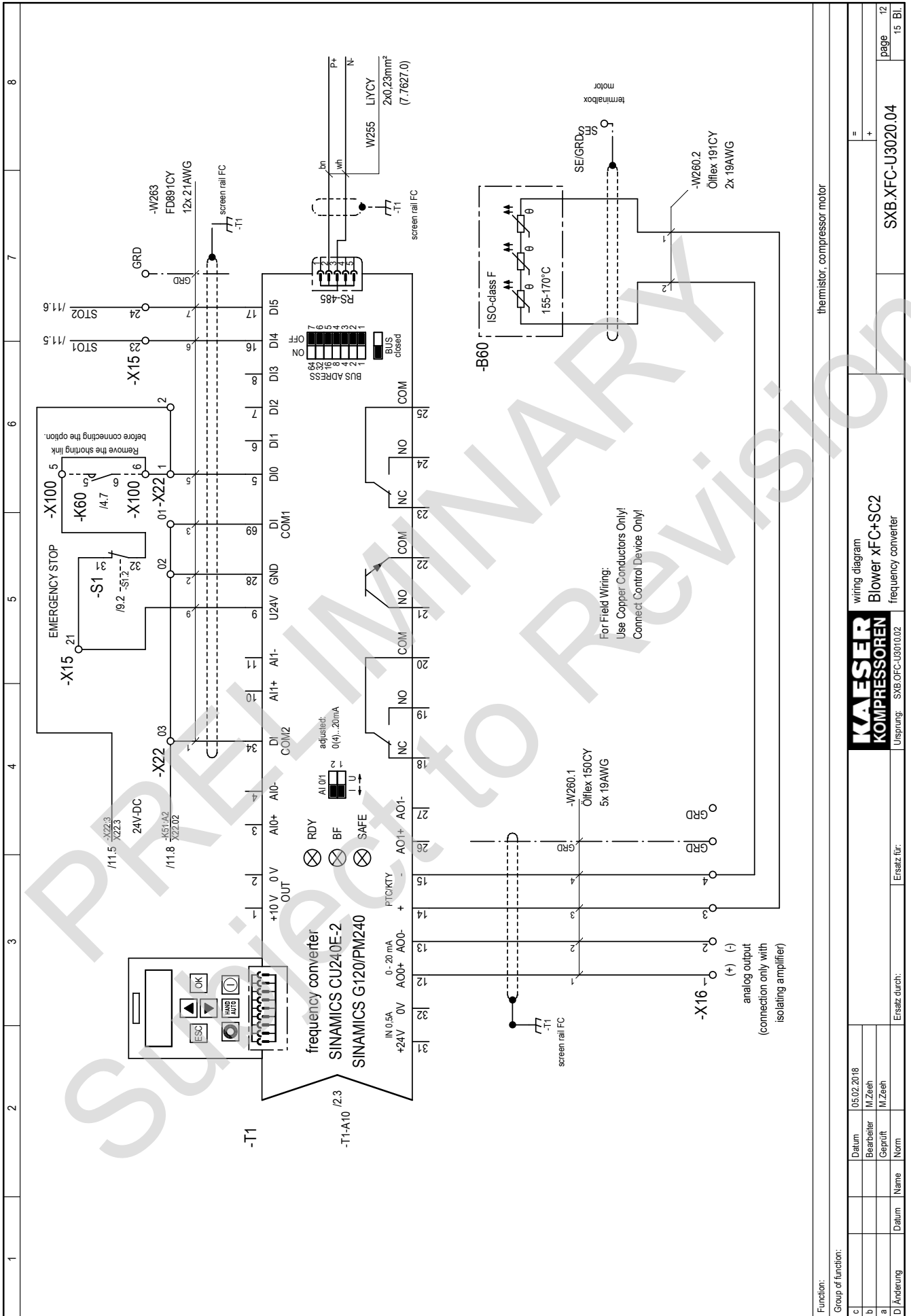
SXB.XFC-U3020.04

Ursprung: SXB.DFC-L8010.02

Ersatz für:

Ersatz durch:

Function:		vent motor (3ph)		vent motor (1ph)	
Group of function:					
soundproofing casing					
c	Datum	05.02.2018			
b	Bearbeiter	M.Zeeth			
a	Geprüft	M.Zeeth			
D	Änderung	Datum	Name	Norm	



1 2 3 4 5 6 7 8

fig.: 1 Handling control line terminal

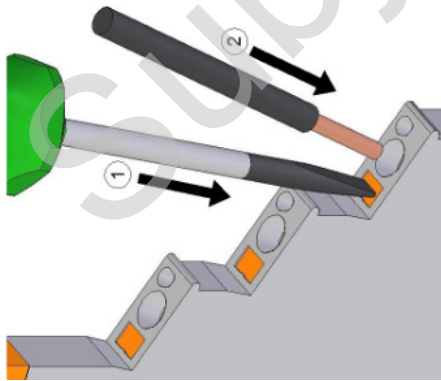


fig.: 2 Handling supply terminals

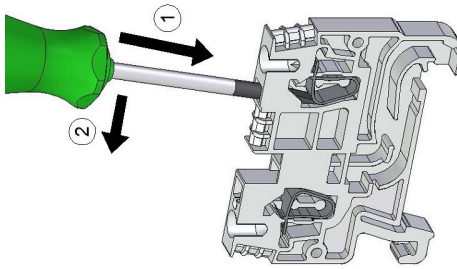
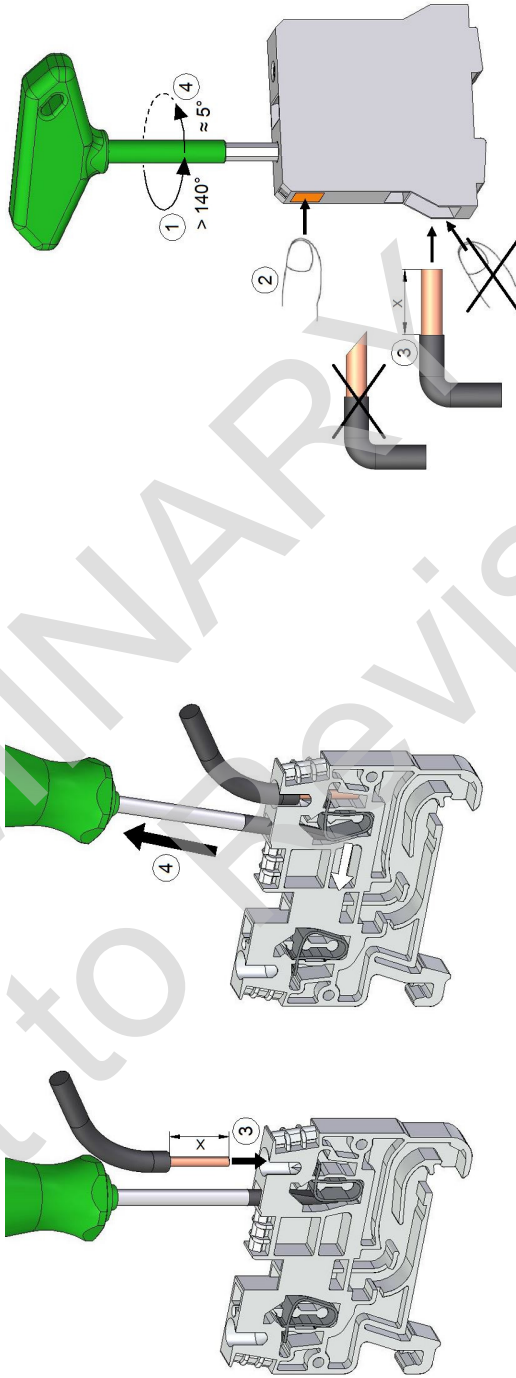
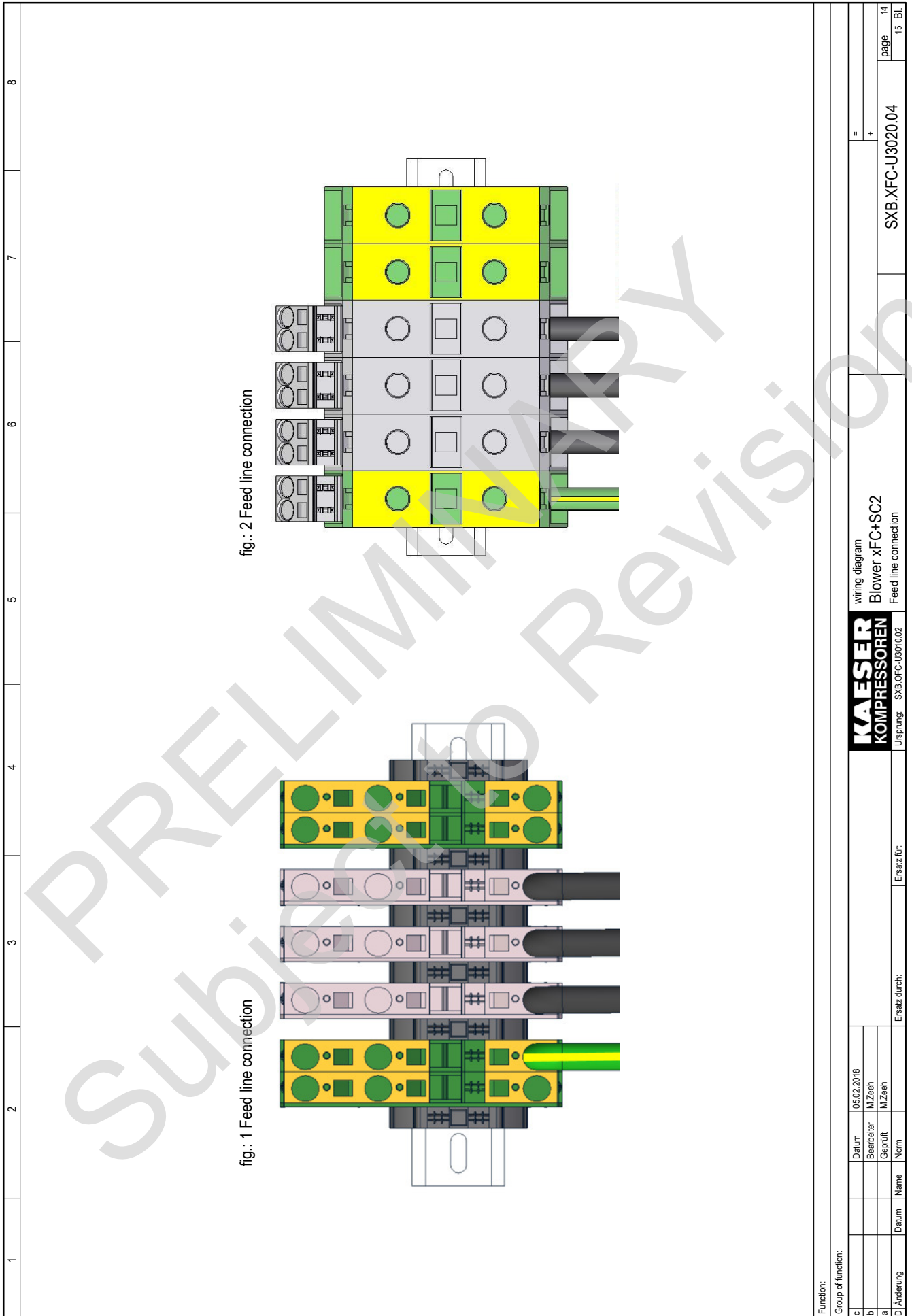


fig.: 3 Handling supply terminals



Function:				wiring diagram				=	
Group of function:				Blower xFC+SC2				+	
c	Datum	05.02.2018	Bearbeiter	M.Zeesh	Ersatz für:		SXB.XFC-U3020.04		
b	Geprüft		Norm		SXB.DFC-L8010.02		page 13		
a	Name				SXB.DFC-L8010.02		15 Bl.		
d	Datum				SXB.DFC-L8010.02				



Function:		wiring diagram		=	
Group of function:		Blower xFC+SC2		+	
c	Datum	05.02.2018			
b	Bearbeiter	M.Zeesh			
a	Geprüft	M.Zeesh			
D	Änderung	Datum	Name	Ersatz durch:	Ersatz für:
			SX.B.XFC-U3020.04		
			page 14		
			15 Bl.		

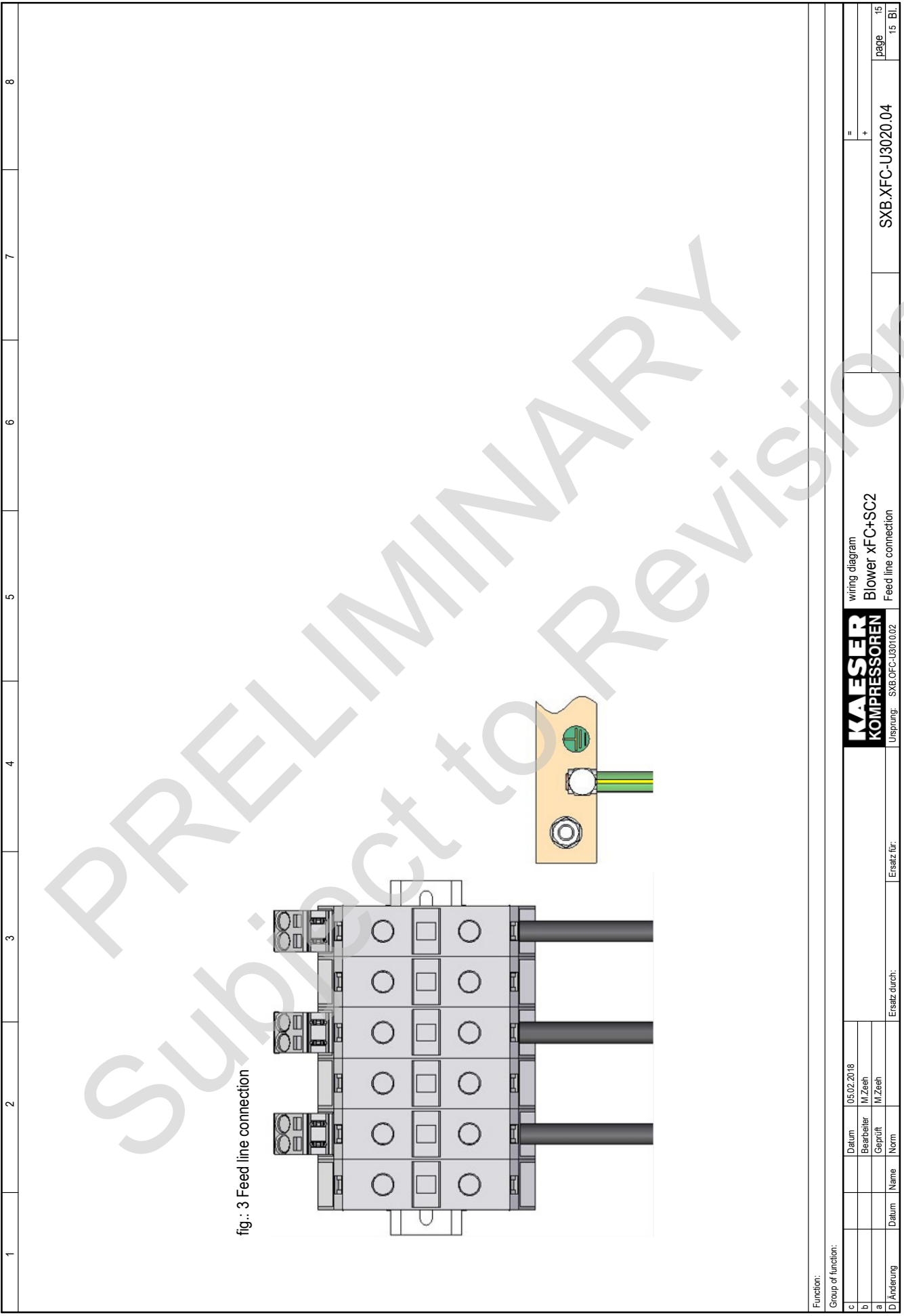
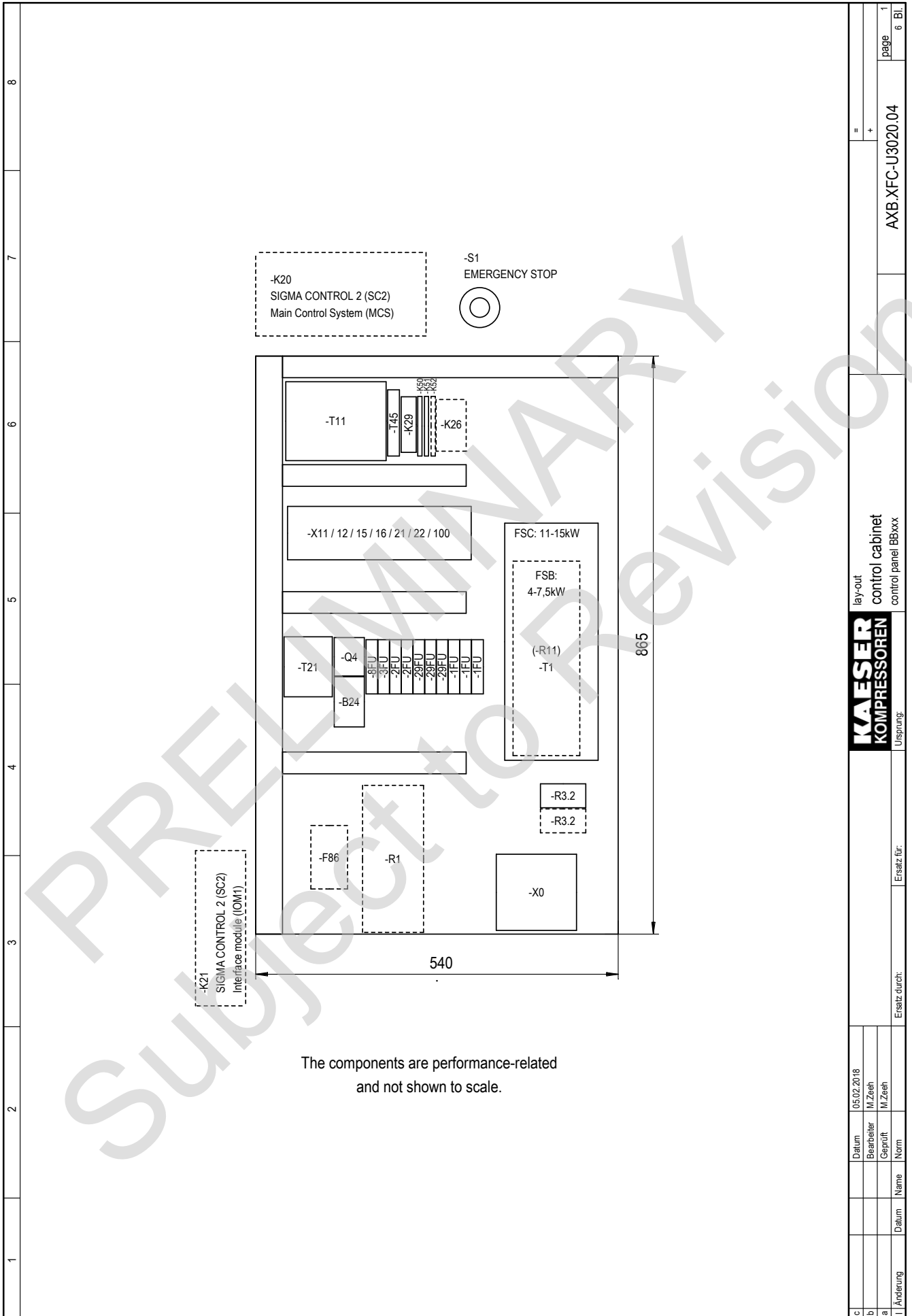
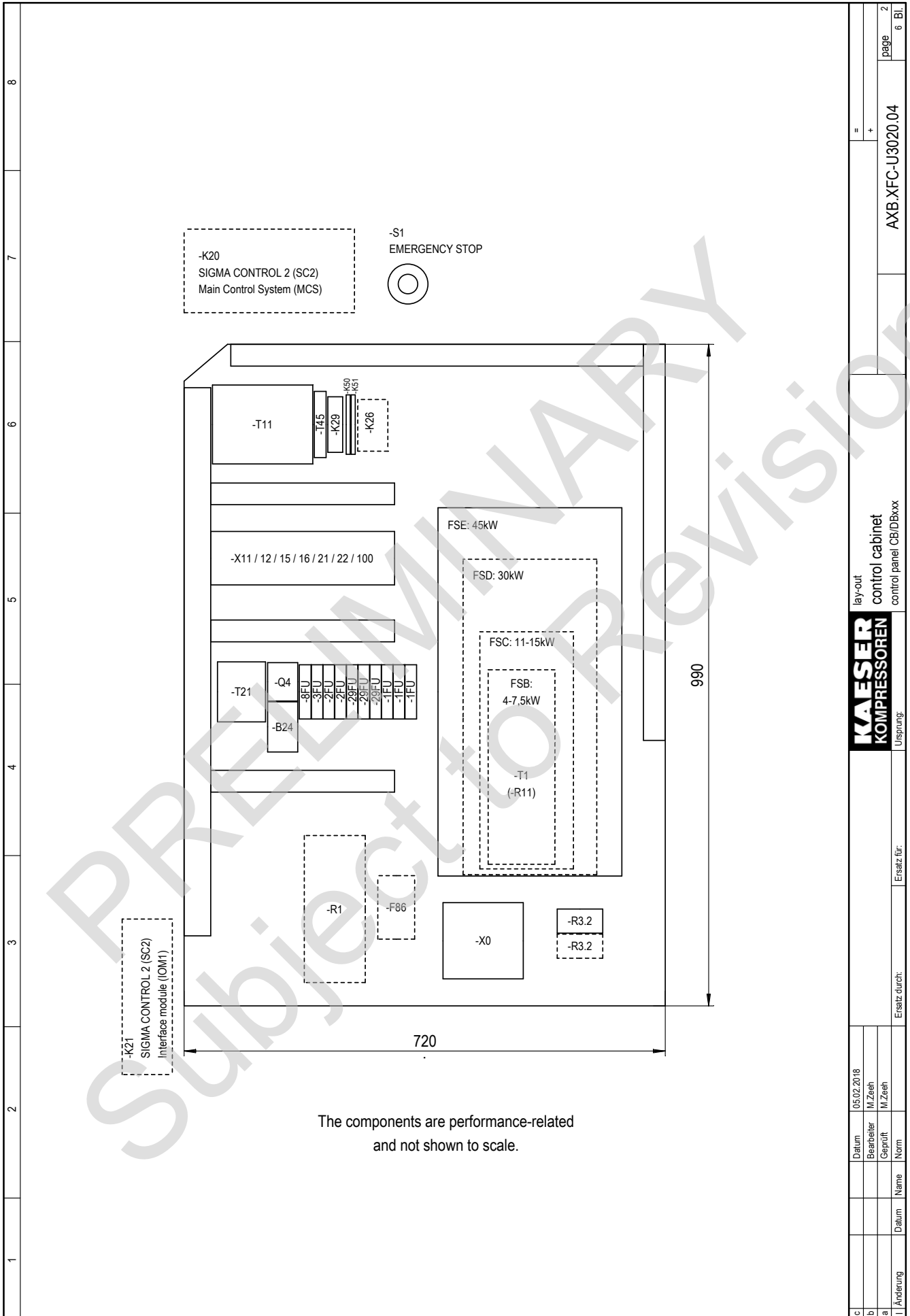


fig.: 3 Feed line connection

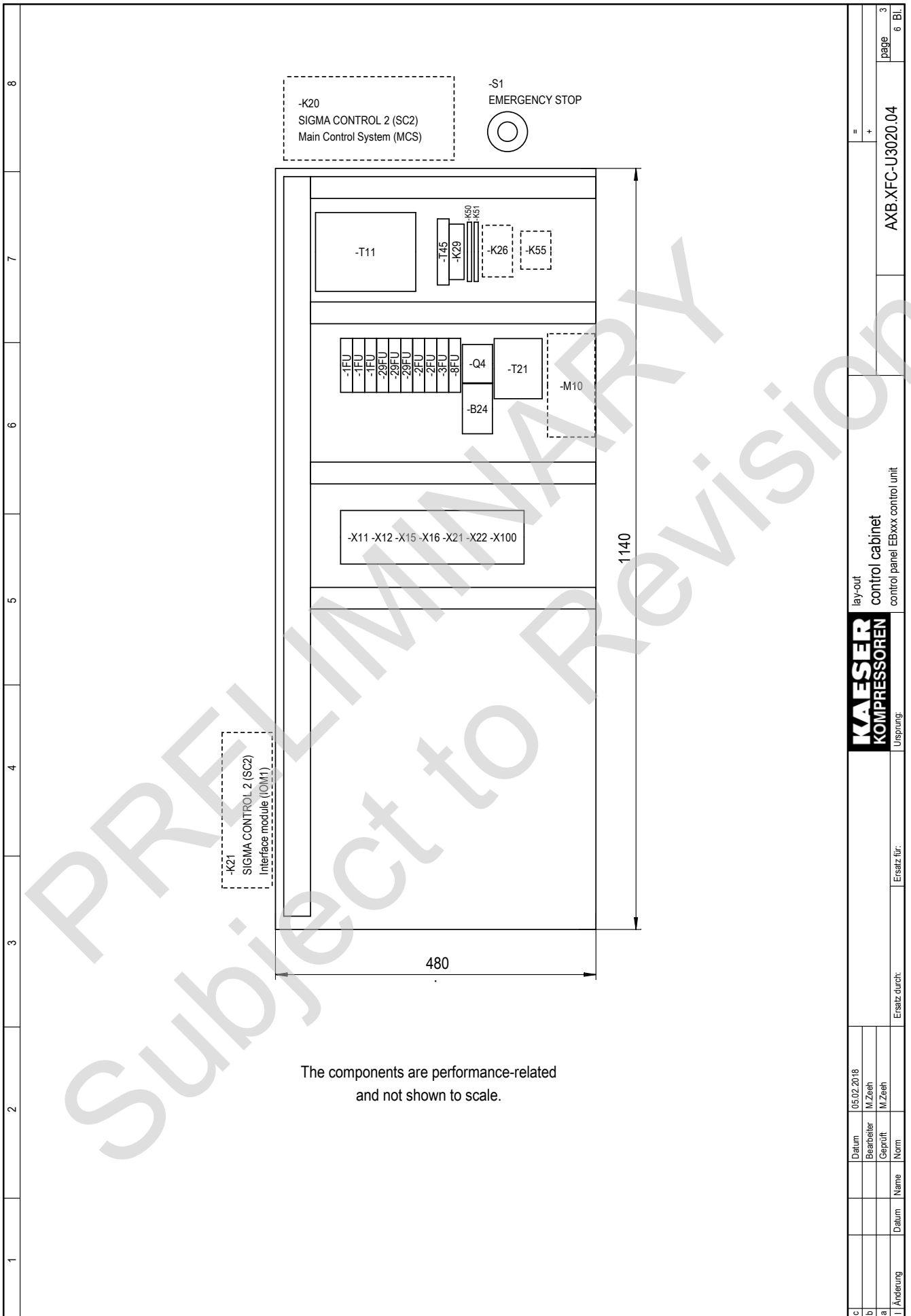
Function:		wiring diagram		=	
Group of function:		Blower xFC+SC2		+	
c		Datum	05.02.2018	SXB.XFC-U3020.04	
b		Bearbeiter	M.Zeesh	page 15	
a		Geprüft	M.Zeesh	15 Bl.	
D Änderung		Datum	Name	Ersatz durch:	
				Ersatz für:	
				Norm	
				URSPRUNG: SXB.DFC-U3010.02	

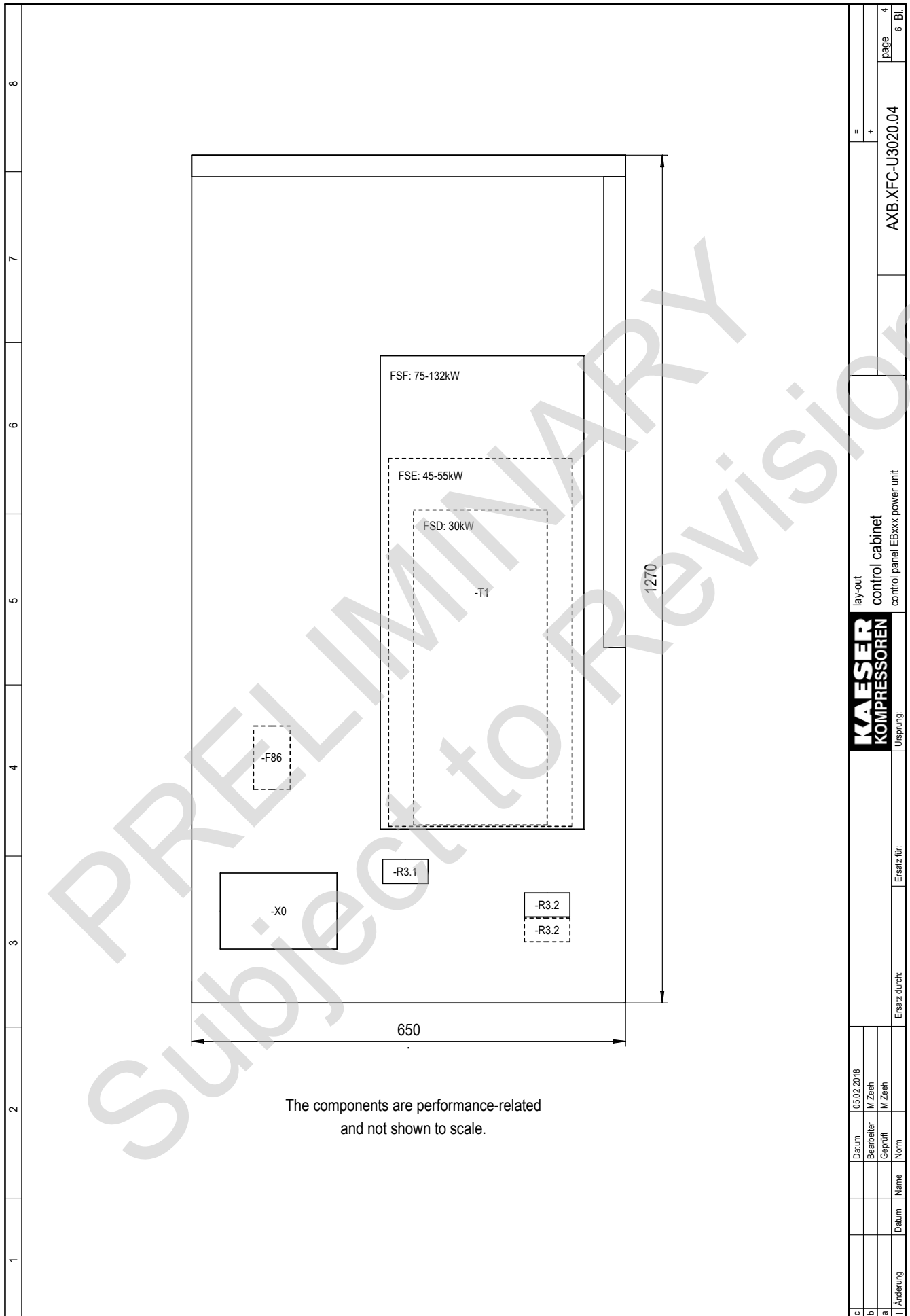


lay-out control cabinet control panel BBxxx		AXB.XFC-U3020.04		page 1
=		+		6 Bl.
KAESER KOMPRESSOREN		KOMPRESSOREN		Ursprung:
Datum: 05.02.2018		Bearbeiter: M.Zeeh		Ersatz durch:
Geprüft: M.Zeeh		Norm:		
I Änderung	Datum	Name		



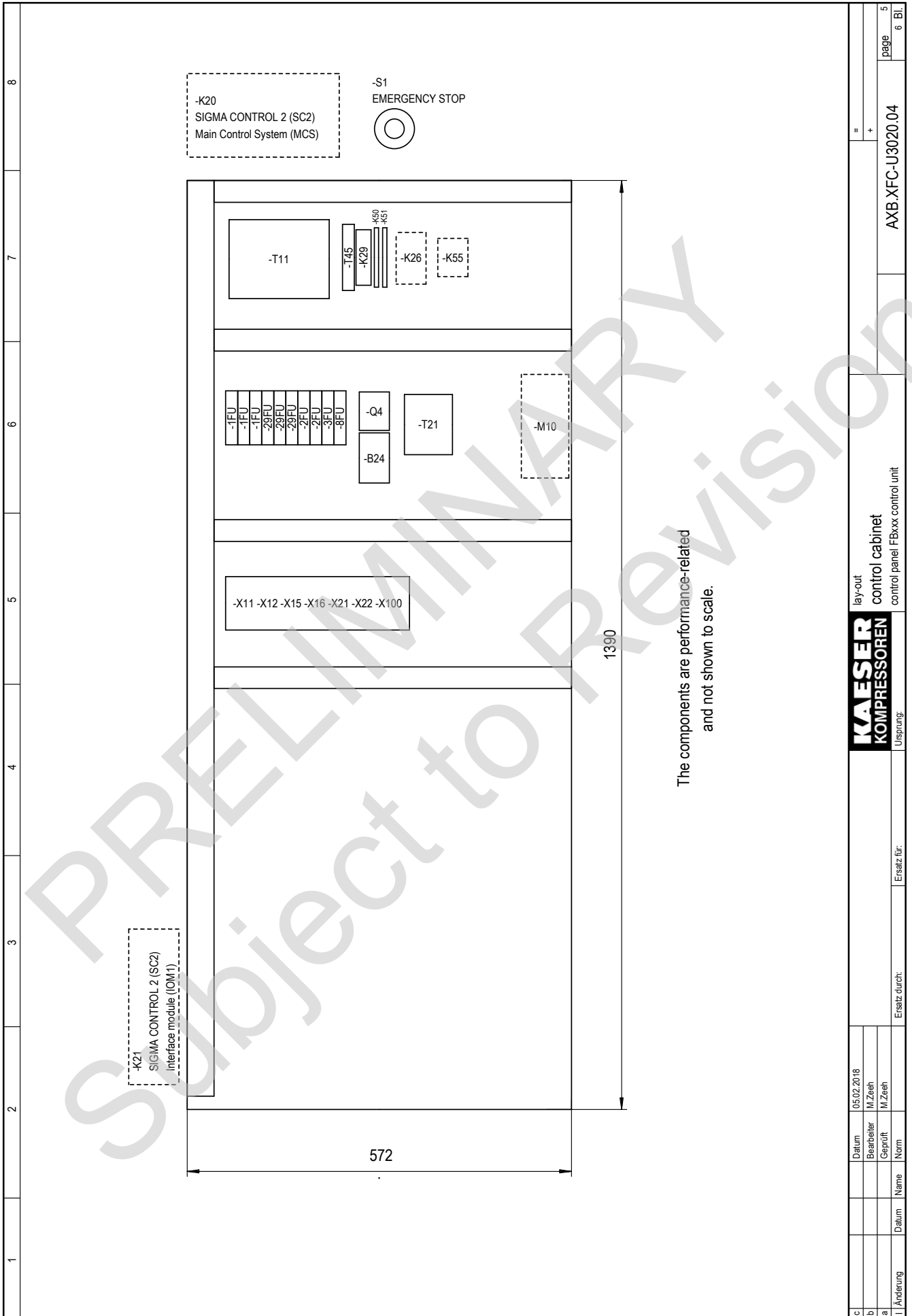
c	Datum	05.02.2018	Ersatz durch:	Ersatz für:	lay-out	control cabinet	control panel CB/DBxxx	=	+	AXB.XFC-U3020.04	page	2
	Bearbeiter	M.Zeeh									6 Bl.	2
b	Geprüft	M.Zeeh										
a	Norm											
I	Änderung	Datum	Name									



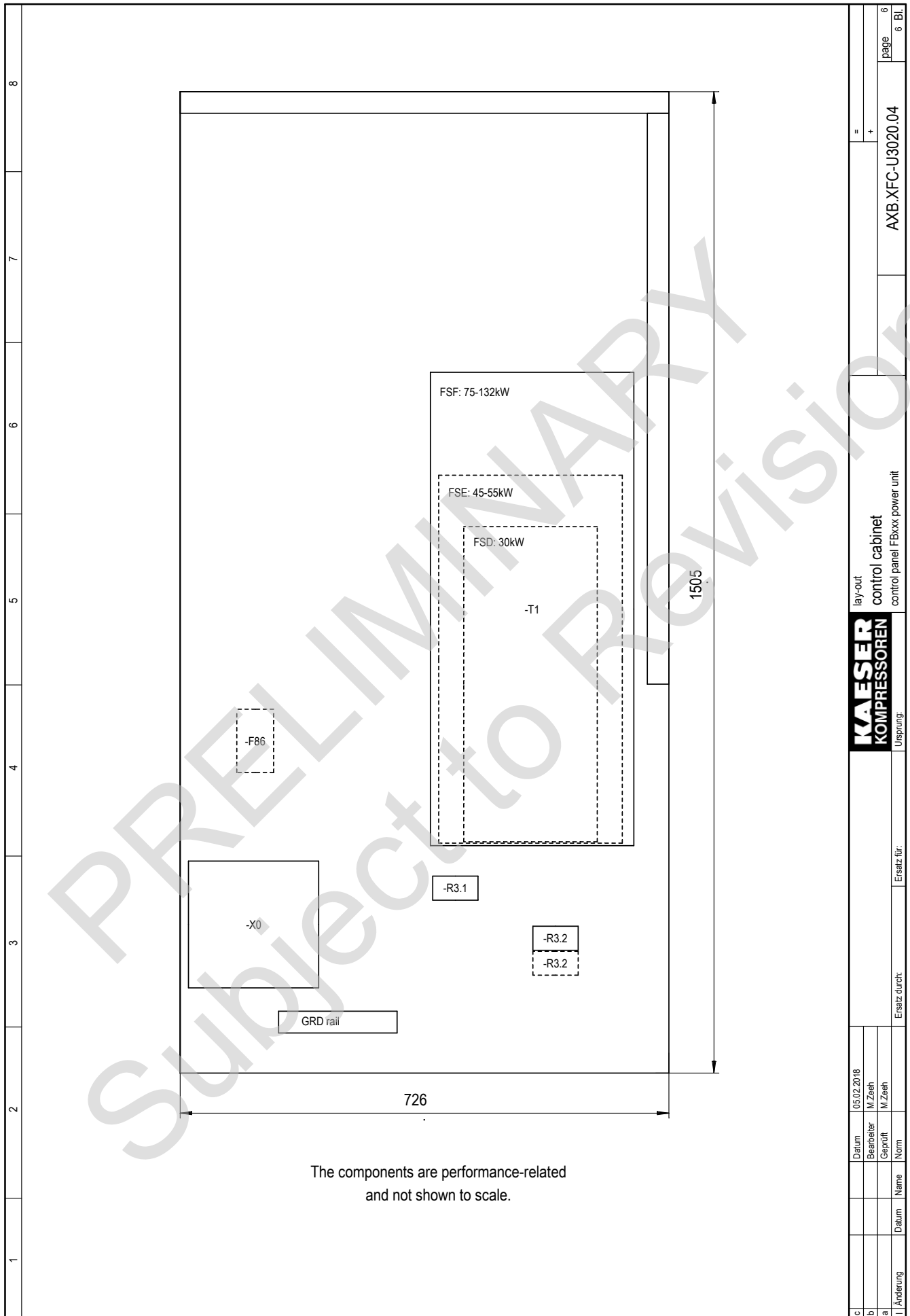


The components are performance-related and not shown to scale.

c	Datum	05.02.2018	Ersatz durch:	Ersatz für:	lay-out	control cabinet	control panel EBxxx power unit	=	+	AXB.XFC-U3020.04	page	4
	Bearbeiter	M.Zeeh										
b	Geprüft											
a	Norm											
I	Änderung	Datum	Name									



c		Datum	05.02.2018	lay-out		control cabinet		=		page		5
b		Bearbeiter	M.Zeeh	control panel FBxxx control unit		AXB.XFC-U3020.04		+		6 Bl.		6
a		Geprüft	IM.Zeeh	Kaeser		KOMPRESSOREN		Ursprung:				
I		Änderung		Ersatz durch:								



=		+		AXB.XFC-U3020.04		page 6
lay-out		control cabinet		control panel FBxxx power unit		6 Bl.
KAESER KOMPRESSOREN		KOMPRESSOREN		KOMPRESSOREN		Ursprung:
Datum		05.02.2018		Ersatz für:		Ersatz durch:
Bearbeiter		M.Zeeh		Ersatz für:		Ersatz durch:
Geprüft		M.Zeeh		Ersatz für:		Ersatz durch:
Norm				Ersatz für:		Ersatz durch:
Name				Ersatz für:		Ersatz durch:
Datum				Ersatz für:		Ersatz durch:
I Änderung				Ersatz für:		Ersatz durch:

13.6 Project planning data

PRELIMINARY
Subject to Revision

PRELIMINARY
Subject to Revision