



Installation Data Sheet
Series: 1:1 Direct Drive ASD.4
Document No.: TI-DATA-2018-ASD.4 25 30 40S 40
Version: 1.9
Revision Date: 04/17/2023

Model	ASD 25				ASD 30				ASD 40S				ASD 40					
Rated Pressure [psig]	110	125	110	125	145	175	110	125	145	175	190	217	110	125	145	175	190	217

I. COOLING DATA

Cooling System Available [Std., Opt.]	A/C				A/C				A/C				A/C			
Standard Ambient Temp. Range [°F]	40 - 115				40 - 115				40 - 115				40 - 115			

VENTILATION OF COMPRESSOR ROOM

Air Inlet Opening [sq. ft. free area] (A/C) Z	5.4				6.5				7.5				8.6			
---	-----	--	--	--	-----	--	--	--	-----	--	--	--	-----	--	--	--

Solution A (forced ventilation with exhaust fan) as shown in service manual

Cooling Fan Capacity [CFM] (A/C)	4,120				4,709				5,886				7,063			
----------------------------------	-------	--	--	--	-------	--	--	--	-------	--	--	--	-------	--	--	--

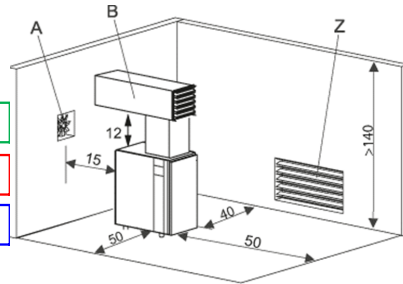
Solution B (exhaust air used for space heating) as shown in service manual

Internal Cooling Fan Capacity [CFM] (A/C)	2,649				2,649				2,649				3,119			
Max. Additional Pressure Drop for Ducts [inch Water Column] (A/C)	0.24				0.24				0.24				0.16			

Exhaust Air Opening Reference Dimensions (L x W) [in]	23 x 23				23 x 23				23 x 23				23 x 23			
---	---------	--	--	--	---------	--	--	--	---------	--	--	--	---------	--	--	--

See drawing for actual dimensions. The actual individual duct dimension will vary for every installation based on actual length, number and type of bends, accessories etc.

Model shown for reference only
Actual Duct size may vary with installation



Solution A Exhaust Fan

Solution B Exhaust Duct

Ventilation of Compressor Room Z

AIR COOLED DATA

Internal Cooling Fan Capacity [CFM]	2,649				2,649				2,649				3,119			
Approach Temp. [°F]	7.2				10.8				9				10.8			
Typical Heat Rejected [BTU / HR]	69,000				81,000				96,500				115,500			
Fan Motor [HP], oilcooler/aircooler	0.75				0.75				0.75				0.75			

Reference conditions: 14.5 psia, 30% relative humidity and 68°F inlet air temperature.

II. ELECTRICAL DATA

Electrical data may vary in accordance with motor manufacturer's specifications. Motors are EISA compliant.

DRIVE MOTOR

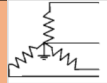
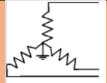
Motor HP	25				30				40				40			
Insulation Class	F				F				F				F			
Standard Voltage	208-230 / 460V/3ph/60Hz				208-230 / 460V/3ph/60Hz				208-230 / 460V/3ph/60Hz				208-230 / 460V/3ph/60Hz			
Full Load Amps [FLA] @ 208V/3ph/60Hz	61				74				98				98			
Full Load Amps [FLA] @ 230V/3ph/60Hz	55				70				91				91			
Full Load Amps [FLA] @ 460V/3ph/60Hz	28				35				46				46			
Full Load Amps [FLA] @ 575V/3ph/60Hz	24				30				34				41			

FAN MOTOR (A/C)

Insulation Class	F				F				F				F			
Fan Motor [HP], oilcooler aircooler	0.75				0.75				0.75				0.75			



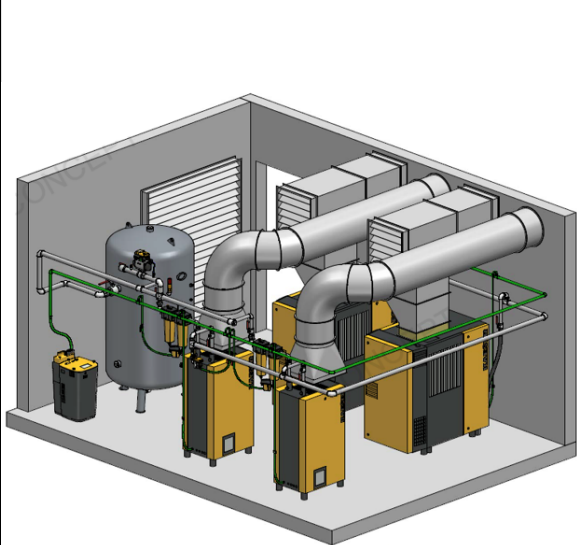
Installation Data Sheet
Series: 1:1 Direct Drive ASD.4
Document No.: TI-DATA-2018-ASD.4 25 30 40S 40
Version: 1.9
Revision Date: 04/17/2023

Model	ASD 25				ASD 30				ASD 40S				ASD 40							
	110	125	110	125	145	175	110	125	145	175	190	217	110	125	145	175	190	217		
TOTAL PACKAGE DATA (A/C)																				
Do NOT operate package on any unsymmetrical power supply. Also do NOT operate package on power supplies like, for example, a three-phase (open) delta or three-phase star with non-grounded neutral. The machine requires a symmetrical three-phase power supply transformer with a WYE configuration output as shown on the right. In a symmetrical three-phase supply the phase angles and voltages are all the same. Other power supplies are not suitable.					 three-phase star (wye); 4-wire; grounded neutral				 three-phase star (wye); 3-wire; grounded neutral											
Continuous Duty [Hours per day]	24				24				24				24							
Control Cabinet Class (NEMA)	12				12				12				12							
Short Circuit Current Rating (SCCR) [kA] @ 460V/3ph/60Hz	50				50				50				50							
Short Circuit Current Rating (SCCR) [kA] @ 575V/3ph/60Hz	30				30				30				30							
Package Full Load Amps @ 208V/3ph/60Hz [FLA]	65				79				94				109							
Package Full Load Amps @ 230V/3ph/60Hz [FLA]	58				74				87				101							
Package Full Load Amps @ 460V/3ph/60Hz [FLA]	29				37				44				51							
Package Full Load Amps @ 575V/3ph/60Hz [FLA]	24				30				35				41							
Recommended Disconnect Fuse Size [Amps] @ 208V/3ph/60Hz	100				110				125				150							
Recommended Disconnect Fuse Size [Amps] @ 230V/3ph/60Hz	90				110				125				150							
Recommended Disconnect Fuse Size [Amps] @ 460V/3ph/60Hz	45				50				60				70							
Recommended Disconnect Fuse Size [Amps] @ 575V/3ph/60Hz	35				45				50				60							
Recommended Disconnect Wire Size [AWG/kcmil] @ 208V/3ph/60Hz	2 AWG per phase and ground				1 AWG per phase and ground				2/0 AWG per phase and ground				2/0 AWG per phase and ground							
Recommended Disconnect Wire Size [AWG/kcmil] @ 230V/3ph/60Hz	3 AWG per phase and ground				2 AWG per phase and ground				1/0 AWG per phase and ground				1/0 AWG per phase and ground							
Recommended Disconnect Wire Size [AWG/kcmil] @ 460V/3ph/60Hz	6 AWG per phase and ground				6 AWG per phase and ground				4 AWG per phase and ground				4 AWG per phase and ground							
Recommended Disconnect Wire Size [AWG/kcmil] @ 575V/3ph/60Hz	8 AWG per phase and ground				8 AWG per phase and ground				6 AWG per phase and ground				6 AWG per phase and ground							
INSTALLATION and MAINTENANCE DATA																				
A/C with Super Soundproofing [dB(A)]	SOUND PRESSURE LEVEL [Measured in dB(A) according to ISO 2151 using ISO 9614-2]				66				67				67				69			
A/C Air Discharge [inches NPT or Flange]	1 1/4 NPT				1 1/4 NPT				1 1/4 NPT				1 1/4 NPT							
Power Input Conduit Opening(s) [inches]	2 1/4				2 1/4				2 1/4				2 1/4							
Condensate Drain Connection [NPT]	1/4				1/4				1/4				1/4							
Width [inches]	57 1/2				57 1/2				57 1/2				57 1/2							
Depth [inches]	35 3/8				35 3/8				35 3/8				35 3/8							
Height [inches]	60 1/4				60 1/4				60 1/4				60 1/4							
Floor Space [sq. ft.]	14 1/8				14 1/8				14 1/8				14 1/8							
Weight (A/C) [lb]	1,345				1,369				1,537				1,570							
COMPRESSOR FLUID DATA																				
Fluid Capacity (A/C) [gal]	4.0				4.0				4.0				4.0							
Flow Rate [gal/min]	7.9				7.9				7.9				7.9							
Typical Oil Consumption [fl. Oz./100 h]	2.8				3.29				4.06				4.76							
Standard Fluid Type	Sigma S-460				Sigma S-460				Sigma S-460				Sigma S-460							
MAINTENANCE PARTS																				
Air Inlet Filter	6.4143.0																			
Filter Mat (optional)	6.1943.00050 (2x)																			
Filter Mat for Control Cabinet	7.4519.0 (2x)																			
Fluid Filter	6.4778.0																			
Fluid Separator Kit	6.3669.0																			
Maintenance Kit for Optional 5-year warranty	ANAKASD4S																			
Maintenance Kit for Optional 5-year warranty, with food-grade lubricant	ANAKASD4F																			

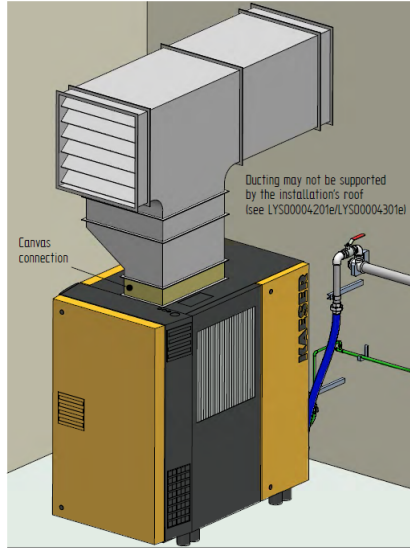
Model	ASD 25		ASD 30				ASD 40S					ASD 40						
Rated Pressure [psig]	110	125	110	125	145	175	110	125	145	175	190	217	110	125	145	175	190	217

SAMPLE SKETCHES

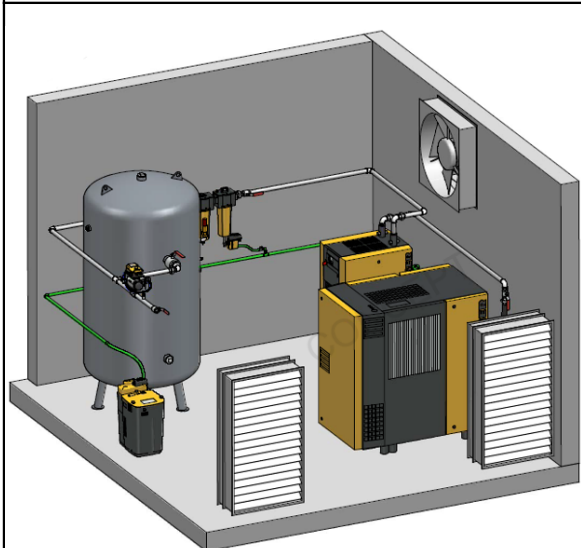
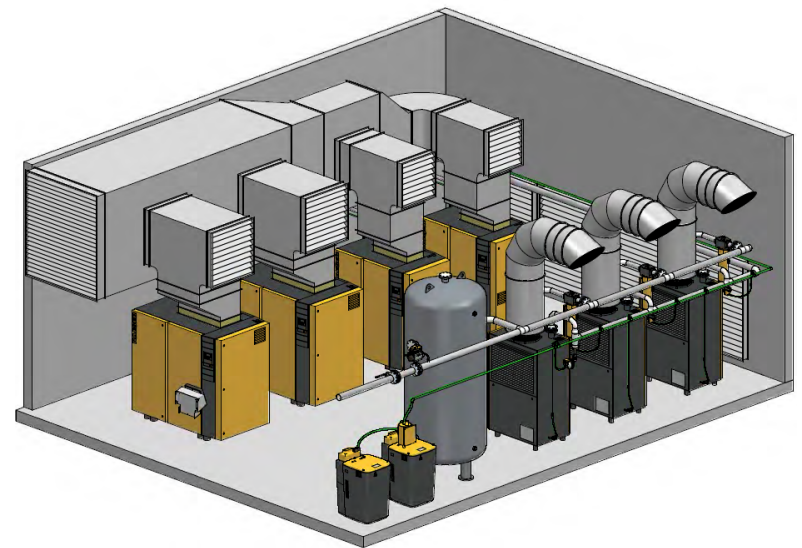
Sample Installation Planning
Examples of room ventilation and ductwork
 Please note the upsizing required for compressor exhaust ducts



2x ASD 40 / 2x TD 67 / 2x F83 KE/KA



Duct / pipe connection ASD



ASD 40 / TD 67 / F83KE/KA

Example designs only, not for construction purposes.