

DRYER DATA SHEET

Doc. No.: TI.IDS-124

KAESER SECOTEC™ REFRIGERATED CYCLING DRYERS

Date: 01/09/2023

Version: 2.5

TE SERIES

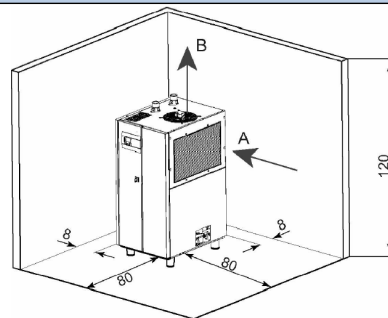
Page 1 of 1

MODEL	TE 102	TE 122	TE 142
I. MINIMUM-MAXIMUM OPERATING CONDITIONS			
Maximum inlet air pressure (compressed air at inlet to dryer) [psig]	232	232	232
Maximum inlet air temperature (compressed air at inlet to dryer) [°F]	140	140	140
Min-Max ambient temperature [°F] Air-cooled	38-110	38-110	38-110
Nominal pressure drop at rated flow [psid]	1.5	1.7	1.6
Rated dew point* [°F]	39	39	39
Rated capacity* [scfm ¹]	370	410	490
II. REFRIGERATION SYSTEM DATA			
BTU/HR - Refrigeration ARI 540 HAT	16500	19500	22600
Refrigeration compressor horsepower	2.1	2.5	2.92
Refrigerant type	R-513A	R-513A	R-513A
Refrigerant charge [lb]	3.31	3.42	3.42
Air flow across condenser [cfm]	1725	1725	1725
III. ELECTRICAL DATA			
Nominal Voltage	460/3/60	460/3/60	460/3/60
Min-Max voltage	414V-506V	414V-506V	414V-506V
Unit Protection fuse size [amps]	6	10	10
Amperage Draw †	3.8	4.0	5.3
Supply Cable (not included)	14 AWG	14 AWG	14 AWG
Nominal Voltage	208/3/60	208/3/60	208/3/60
Min-Max voltage	187V-229V**	187V-229V**	187V-229V**
Unit Protection fuse size [amps]	10	15	20
Amperage Draw †	8.8	9.3	12.3
Nominal Voltage	230/3/60	230/3/60	230/3/60
Min-Max voltage	207V-253V**	207V-253V**	207V-253V**
Unit Protection fuse size [amps]	10	15	15
Amperage Draw †	8.1	8.5	11.1
Compressor Full Load Amps	3.2	3.3	4.8
Compressor Locked Rotor Amps	26	32	45
Branch circuit fuse size [amps]	-	-	-
Max Power consumption [kW]	2.0	2.2	3.23
Power Consumption according to ISO 7183 Option A2 [kW]	1.70	1.81	2.29
IV. GENERAL INFORMATION			
Envelope dimensions - W x D x H [in]	28 x 40-3/4 x 64 5/8	28 x 40-3/4 x 64 5/8	28 x 40-3/4 x 64 5/8
Weight [lb]	505	507	549
Noise level measured in dB(A) at 1 m (approx. 40 in) ***	61	61	61
Control Cabinet Class [NEMA]	12	12	12
Air inlet/outlet connections	2 NPT	2 NPT	2 NPT
Drain connection [in]	1/4	1/4	1/4

V. SERVICE/AIRFLOW CLEARANCES¹ (inches)

¹If Clearances cannot be met, please consult factory.

Cooling airflow: "A" = inlet
"B" = outlet



* Rated conditions = inlet air pressure of 100 psig, inlet air temperature of 100°F, 100% Relative Humidity, and max. ambient temperature of 100°F

¹ SCFM = Standard Cubic Foot per Minute at 68°F, 0% Relative Humidity, and 14.5 psia

† 460V: Total full load amps, Other Voltages: Total full load amps of transformer

** with transformer

*** Sound pressure level as per EN ISO 11203 and the basic standard ISO 9614-2

Note: See Service Manual for complete details