

Installation and Operating Manual

Rotary lobe blower

HBPI pr

Number: 9_9572 31 USE

Manufacturer:

KAESER KOMPRESSOREN SE

96410 Coburg • PO Box 2143 • GERMANY • Tel. +49-(0)9561-6400 • Fax +49-(0)9561-640130

www.kaeser.com

/KKW/BHBCP 2.14 en Z1 SBA-GEBLAESE-PI-PR

20230426 143550

1	Regarding this Document	
1.1	Using this document	1
1.2	Further documents	1
1.3	Copyright	1
1.4	Symbols and labels	1
1.4.1	Warnings	1
1.4.2	Potential damage warnings	2
1.4.3	Other alert notes and their symbols	2
2	Technical Data	
2.1	Nameplate	4
2.2	Option codes	4
2.3	Weight	5
2.4	Drive motor	6
2.5	Recommended oil	6
2.6	Lubricating oil charge	6
2.7	Temperature	7
2.8	Ambient and inlet conditions	7
2.9	Filter maintenance indicator	8
2.10	Pressure display	8
2.11	Sound pressure level/sound power level	8
2.12	Power Supply	9
2.13	Power supply specifications	9
2.14	Options	10
2.14.1	Oil level monitoring	10
2.14.2	Pressure switch	10
2.14.3	Speed monitor	10
2.14.4	Unloaded start valve	12
2.14.5	Temperature gauge switch	12
2.14.6	Pressure sensor	12
2.14.7	Thermostat	13
2.14.8	Filter pressure differential switch	13
2.14.9	Check valve	14
2.14.10	Auxiliary heating	14
2.14.11	Piped inlet	14
2.14.12	Fan (sound enclosure)	14
3	Safety and Responsibility	
3.1	Basic instructions	16
3.2	Specified use	16
3.3	Improper use	16
3.4	User's responsibilities	17
3.4.1	Observe statutory and universally accepted regulations	17
3.4.2	Determining personnel	17
3.5	Dangers	17
3.5.1	Safely dealing with sources of danger	17
3.5.2	Safe machine operation	20
3.5.3	Organizational measures	22
3.6	Danger areas	22
3.7	Safety devices	22
3.8	Safety signs	23
3.9	In emergency	25
3.9.1	Correct fire fighting	25
3.9.2	Remove lubricating oil from the skin.	25
3.10	Environmental protection	25

3.11	Warranty	25
4	Design and Function	
4.1	Machine	27
4.2	Blower block	28
4.3	Safety relief valve	28
4.4	Safety devices	29
4.5	Compensator	29
4.6	Filter maintenance indicator	29
4.7	Pressure gauge	29
4.8	Floating relay contacts	30
4.9	Options	30
4.9.1	Oil level monitor	30
4.9.2	Pressure switch	30
4.9.3	Speed monitor	31
4.9.4	Unloaded start valve	31
4.9.5	Temperature gauge switch	32
4.9.6	Pressure sensor	32
4.9.7	Thermostat	33
4.9.8	Filter pressure differential switch	33
4.9.9	Check valve	34
4.9.10	Auxiliary heating	35
4.9.11	Outdoor installation	35
4.9.12	Piped inlet	35
4.9.13	Sound enclosure	36
5	Installation and Operating Conditions	
5.1	Ensuring safety	37
5.2	Installation conditions	37
5.2.1	Determining location and clearances	37
5.2.2	Ensuring adequate ventilation	38
5.3	Outdoor installation	39
6	Installation	
6.1	Ensuring safety	40
6.2	Reporting transport damage	41
6.3	Anchoring the machine	41
6.4	Do not remove or change the adjusting screw of the pivoted motor base	41
6.5	Connecting the machine to the power supply	42
6.5.1	For frequency control	43
6.6	Installing the inlet silencer	44
6.7	Installing accessories on the T-piece	44
6.8	Safety devices installed by the user	45
6.9	Options	46
6.9.1	Connecting the oil level monitor	46
6.9.2	Connecting the pressure switch	46
6.9.3	Connecting the speed monitor	46
6.9.4	Connecting the temperature gauge switch	46
6.9.5	Connecting the pressure sensor	46
6.9.6	Connecting the thermostat	46
6.9.7	Connecting the filter pressure differential switch	47
6.9.8	Installing the check valve	47
6.9.9	Installing the auxiliary heater	47
6.9.10	Connecting the inlet pipe	48
6.9.11	Sound enclosure	49
6.10	Establishing a compressed air connection	58

7	Initial Start-up	
7.1	Ensuring safety	59
7.2	Instructions to be observed before commissioning	60
7.3	Checking installation and operating conditions	60
7.4	Checking the direction of rotation for the drive motor	61
7.4.1	Fan (sound enclosure)	62
8	Operation	
8.1	Switching on and off	63
8.1.1	Switching on	63
8.1.2	Switching off	63
8.2	Switching off in an emergency	63
8.3	Checking the ventilator fan function (sound enclosure)	64
9	Fault Recognition and Rectification	
9.1	Basic instructions	65
9.2	Faults	65
9.3	Options	66
9.3.1	Sound enclosure faults	66
9.3.2	Faulty pressure sensor	67
10	Maintenance	
10.1	Ensuring safety	68
10.2	Maintenance schedule	69
10.2.1	Logging maintenance work	69
10.2.2	Regular maintenance tasks	69
10.2.3	Regular service tasks	70
10.3	Sound enclosure	71
10.4	Drive belt maintenance	71
10.5	Checking the oil level	72
10.6	Replenishing lubricating oil	73
10.7	Changing the oil	74
10.8	Air filter maintenance	75
10.8.1	Filter maintenance indicator	76
10.8.2	Filter pressure differential switch	76
10.8.3	Changing the air filter	77
10.9	Machine cleaning	77
10.10	Motor maintenance	78
10.10.1	Drive motor bearings with re-greasing facility	78
10.10.2	Sound enclosure fan motor	79
10.11	Testing the safety relief valve	79
10.12	Documenting maintenance and service work	81
11	Spares, Operating Materials, Service	
11.1	Note the nameplate	82
11.2	Ordering consumable parts and operating fluids/materials	82
11.3	Spare parts for service and repair	82
11.3.1	HB 1300 PI pr	82
11.3.2	HB 1600 PI pr	85
11.4	KAESER AIR SERVICE	88
11.5	Completing the contamination declaration	88
12	Decommissioning, Storage and Transport	
12.1	Decommissioning	89
12.2	Packing	89
12.3	Transport	90
12.3.1	Safety	90

12.3.2	Transport with a forklift truck	90
12.3.3	Transport with a crane	90
12.4	Storage	90
12.5	Disposal	91
13	Annex	
13.1	Piping and instrumentation diagram (P&I diagram)	92
13.1.1	Version A	92
13.1.2	Version B and C	95
13.2	Dimensional drawing	98
13.3	Sound emission	102
13.4	Drive motor electrical diagram	107
13.5	Electrical diagrams for options	117
13.5.1	Oil level monitoring – wiring diagram	117
13.5.2	Pressure switch wiring diagram	120
13.5.3	Speed monitor wiring diagram	120
13.5.4	Temperature gauge switch wiring diagram	120
13.5.5	Pressure sensor connections	120
13.5.6	Thermostat wiring diagram	121
13.5.7	Filter pressure differential switch wiring diagram	121
13.5.8	Auxiliary heater wiring diagram	121
13.5.9	Sound enclosure fan motor wiring plan	126
13.6	Project planning data	126

Fig. 1	Three-phase star (wye); 4 wire; center point solidly grounded	9
Fig. 2	Three-phase star (wye); 3 wire; center point solidly grounded	9
Fig. 3	Location of the safety signs on the machine	23
Fig. 4	Safety sign location, electronically actuated options	23
Fig. 5	Safety sign location, auxiliary heater, Option H2	23
Fig. 6	Machine	27
Fig. 7	Blower block	28
Fig. 8	Safety relief valve (blow-off valve)	28
Fig. 9	Compensator	29
Fig. 10	Location of the pressure gauge	29
Fig. 11	Pressure switch	30
Fig. 12	Unloaded start valve	31
Fig. 13	Diagram of the unloaded start valve	31
Fig. 14	Location of the temperature gauge	32
Fig. 15	Pressure sensor	33
Fig. 16	Thermostat	33
Fig. 17	Filter pressure differential switch	33
Fig. 18	Pressure connection to the filter pressure differential switch	34
Fig. 19	Filter pressure differential switch function	34
Fig. 20	Non-return flap	35
Fig. 21	Auxiliary heating	35
Fig. 22	Sound enclosure overview	36
Fig. 23	Recommended machine placement and minimum dimensions [in.]	38
Fig. 24	Pivoted motor base	41
Fig. 25	Installing the inlet silencer	44
Fig. 26	Installing the T-piece	45
Fig. 27	Installing the check valve	47
Fig. 28	Installing the auxiliary heater	47
Fig. 29	Sound enclosure: Measuring points, connection diagram	49
Fig. 30	Connection elements, sound enclosure	57
Fig. 31	Sound enclosure	71
Fig. 32	Drive belt maintenance	71
Fig. 33	Checking the oil level	73
Fig. 34	Replenishing lubricating oil	74
Fig. 35	Changing the oil	75
Fig. 36	Filter maintenance indicator (machine without sound enclosure)	76
Fig. 37	Filter maintenance indicator (machine with sound enclosure)	76
Fig. 38	Changing the air filter	77
Fig. 39	Drive motor maintenance	79
Fig. 40	Testing the safety relief valve	79
Fig. 41	Pressure switch wiring diagram	120
Fig. 42	Speed monitor wiring diagram	120
Fig. 43	Temperature gauge switch wiring diagram	120
Fig. 44	Pressure sensor connections	120
Fig. 45	Thermostat wiring diagram	121
Fig. 46	Filter pressure differential switch wiring diagram	121
Fig. 47	Three-phase motor connection	126
Fig. 48	Single-phase motor connection	126

Tab. 1	Danger levels and their definition (personal injury)	1
Tab. 2	Danger levels and their definition (damage to property)	2
Tab. 3	Nameplate	4
Tab. 4	Option codes	4
Tab. 5	Weight without sound enclosure	5
Tab. 6	Weight with sound enclosure	5
Tab. 7	Drive motor	6
Tab. 8	Recommended oil	6
Tab. 9	Lubricating oil charge	7
Tab. 10	Temperature	7
Tab. 11	Ambient and inlet conditions	7
Tab. 12	Installation altitude	8
Tab. 13	Filter maintenance indicator	8
Tab. 14	Pressure display	8
Tab. 15	Oil level monitoring (Option C5)	10
Tab. 16	Pressure switch (option C9)	10
Tab. 17	Speed monitoring sensor (Option C10)	10
Tab. 18	Speed monitoring device (Option C10)	11
Tab. 19	Setting of the speed monitor evaluation device (Option C10)	11
Tab. 20	Unloaded start valve (option C11)	12
Tab. 21	Temperature gauge switch (Option C13)	12
Tab. 22	Pressure sensor (option C14)	12
Tab. 23	Thermostat (Option C19)	13
Tab. 24	Filter pressure differential switch (Option F5)	13
Tab. 25	Check valve (Option G1)	14
Tab. 26	Auxiliary heating (Option H2)	14
Tab. 27	Thermostatic auxiliary heating (Option H2)	14
Tab. 28	Fan motor 3~/60Hz (Option H12)	15
Tab. 29	Fan motor 1~/60Hz (Option H12)	15
Tab. 30	Danger areas	22
Tab. 31	Safety signs	23
Tab. 32	Tightening torques on T-piece	45
Tab. 33	Inlet compressor torques	48
Tab. 34	Sound enclosure assembly (Option H12)	50
Tab. 35	Torques for user-end piping	58
Tab. 36	Recommissioning after storage/standstill	60
Tab. 37	Installation conditions checklist	60
Tab. 38	Faults and remedies	65
Tab. 39	Faults and remedies (option H12)	66
Tab. 40	Faults and remedies (Option C14)	67
Tab. 41	Regular maintenance tasks	69
Tab. 42	Regular service tasks	70
Tab. 43	Logged maintenance tasks	81
Tab. 44	Consumable parts and operating fluids/materials	82
Tab. 45	Sound emission - legend	102

1 Regarding this Document

1.1 Using this document

This document, hereafter called the service manual, contains important information about all life phases of the machine.

The operating manual is a component of the product. It describes the machine as it was at the time of first delivery after manufacture.

- Keep the service manual in a safe place throughout the life of the machine.
- Supply any successive owner or user with this service manual.
- Please insert any amendment or revision of the service manual sent to you.
- Enter details from the machine nameplate and individual items of equipment in the table in chapter 2.

1.2 Further documents

Included with this operating manual are additional documents intended to assist in the safe operation of the machine:

- Manufacturer/installation declaration in accordance with applicable directives.

Missing documents can be requested from KAESER.

- Ensure that all documents are complete and observe the instructions contained within them.
- Ensure that you provide the data from the nameplate when ordering documents.

1.3 Copyright

This operator manual is copyright protected. Queries regarding use or duplication of the documentation should be referred to KAESER. Correct use of information will be fully supported.

1.4 Symbols and labels

- Please note the symbols and labels used in this document.

1.4.1 Warnings

Warnings indicate danger potentially resulting in personal injury, if the measures specified are not taken.

Warnings indicate three levels of danger identified by the corresponding signal word:

Signal term	Meaning	Consequences of non-compliance
DANGER	Warns of imminent danger	Will very likely result in death or severe injury
WARNING	Warns of potentially imminent danger	May result in death or severe injury
CAUTION	Warns of a potentially dangerous situation	May result in moderate physical injury

Tab. 1 Danger levels and their definition (personal injury)

1 Regarding this Document

1.4 Symbols and labels

Warning notes may precede a chapter. They apply to the entire chapter including all sub-sections.

Example:

⚠ DANGER

The type and source of the imminent danger is shown here!

The possible consequences of ignoring a warning are shown here.

The word "DANGER" indicates that death or severe injury can very likely result from ignoring the warning.

➤ *The measures required to protect yourself from danger are shown here.*

Warning notes referring to a sub-section or the subsequent step are integrated into the procedure and numbered as a step.

Example:

1. **⚠ WARNING** *The type and source of the imminent danger is shown here!*
The possible consequences of ignoring a warning are shown here.
The word "WARNING" indicates that death or severe injury may result from ignoring the warning.
➤ *The measures required to protect yourself from danger are shown here.*
2. Always read and comply with warning instructions.

1.4.2 Potential damage warnings

Contrary to the warnings shown above, damage warnings do not indicate potential personal injury.

Damage warnings have only one danger level, identified by this signal word:

Signal term	Meaning	Consequences of non-compliance
NOTE	Warns of a potentially dangerous situation	Damage to property is possible

Tab. 2 Danger levels and their definition (damage to property)

Example:

NOTICE

The type and source of the imminent danger is shown here!

Potential effects when ignoring the warning are indicated here.

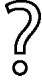

➤ *The protective measures against the damages are shown here.*

➤ Carefully read and fully comply with warnings against damages.

1.4.3 Other alert notes and their symbols



This symbol indicates particular important information.

- Material** Here you will find details on special tools, operating materials or spare parts.
- Precondition** Here you will find conditional requirements necessary to carry out the task.
The conditional requirements relevant to safety shown here will help you to avoid dangerous situations.
- Option H12** ➤ This symbol is placed by lists of actions comprising one stage of a task.
Operating instructions with several steps are numbered in the sequence of the operating steps.
Information relating to one option only are marked with an option code (e.g., H12 indicates that this section applies only to machines with sound enclosure). Option codes used in this operating manual are explained in chapter 2.2.
-  Information referring to potential problems are identified by a question mark.
The cause is specified in the help text ...
➤ ... as is a solution.
-  This symbol refers to important information or measures concerning environmental protection.
- Further information** Further subjects are introduced here.

2 Technical Data

2.1 Nameplate

The machine's nameplate provides the model designation and important technical information. The nameplate is attached to the machine stand and at the left side wall of the sound enclosure (Option H12).

The nameplate data relates to Standard intake state of 14.7 psi and 68 °F.

➤ Enter the data from the nameplate here as a reference.

Feature	Value
Rotary lobe blowers	
Material No.	
Serial No.	
Ambient temperature	
Rated motor power	
Max. working pressure PS	
Rated motor speed	
Full load current	
Full load current drive motor	
Power supply	
Electrical diagram	
Year of manufacture	

Tab. 3 Nameplate

2.2 Option codes

The table contains a list of possible options.

➤ Enter options here as a reference:

Option	Option code	Installed?
Operating mode: Gauge pressure	B13	✓
Oil level monitoring	C5	
Pressure switch	C9	
Speed monitor	C10	
Unloaded start valve (AFE)	C11	
Temperature gauge switch	C13	✓
Pressure transducer	C14	
Unloaded start valve with regulating valve (AFR)	C18	—
Thermostat	C19	

Installed: ✓

Not available: —

Option	Option code	Installed?
Under frequency control	C32	
Filter differential pressure switch	F5	
Check valve	G1	
Auxiliary heating	H2	
Outdoor installation	H3	
Intake from pipe network	H11	
Sound enclosure	H12	
Installed: ✓		
Not available: —		

Tab. 4 Option codes

2.3 Weight

The values shown are maximum values. The actual weight of individual machines depends on equipment fitted.

Machine without sound enclosure

Rated power [hp]	Weight [lb]		
	HB 1300 PI pr	HB 1600 PI pr	—
75.0	5688	6041	—
100.0	5942	6294	—
125.0	6162	6515	—
150.0	6460	6812	—
175.0	6801	7154	—
200.0	7110	7463	—
250.0	7551	7904	—
300.0	7639	7992	—
—	—	—	—

Tab. 5 Weight without sound enclosure

Option H12 Machine with sound enclosure

Rated power [hp]	Weight [lb]		
	HB 1300 PI pr	HB 1600 PI pr	—
75.0	7495	7848	—
100.0	7749	8102	—
125.0	7970	8322	—
150.0	8267	8620	—
175.0	8609	8962	—
200.0	8918	9270	—

Rated power [hp]	Weight [lb]		
	HB 1300 PI pr	HB 1600 PI pr	—
250.0	9359	9711	—
300.0	9447	9800	—
—	—	—	—

Tab. 6 Weight with sound enclosure

2.4 Drive motor

➤ Copy the data from the motor nameplate or service plate into the table:

Feature	Value
Enclosure protection	IP55
Motor bearing re-greasing interval *[h]	2000
Grease requirement, each bearing [g]	

h = operating hours

* The lubricating interval is max. 2000 h, even if a longer interval is indicated on the motor service plate.

Tab. 7 Drive motor

2.5 Recommended oil

The lubricant type to be used depends on the operating conditions.

	OMEGA FLUID	
	SB 220	FGB 220
Description	Synthetic oil	Synthetic oil
Application	Suitable for all applications, except food processing.	Specifically for applications where the compressed air comes into contact with food products.

Tab. 8 Recommended oil

Further information An adhesive label identifying the used lubricating oil is attached to the blower block and the belt guard.

Information on ordering oil is found in chapter 11.2.

2.6 Lubricating oil charge

The block oil chambers are filled with oil at the factory.

Guide value

	Drive-end	Gear-end
Lubricating oil charge [qt]	2.4 ±15%	3.4 ±15%

Tab. 9 Lubricating oil charge

2.7 Temperature

	HB 1300 PI pr	HB 1600 PI pr
Maximum block discharge temperature [°F]	320	320
Maximum temperature differential [K] *	115	115

*Discharge temperature minus inlet temperature

Tab. 10 Temperature

2.8 Ambient and inlet conditions

The following conditions must be maintained:

- Atmosphere in the immediate vicinity of the machine is free of salt.
- The air must be free of chemicals or explosive substances.

	HB 1300 PI pr	HB 1600 PI pr	—
Permissible ambient temperature [°F]	23 – 104	23 – 104	—
Machine with connected auxiliary heating and sound enclosure (Options H2, H12)	5 – 104	5 – 104	—
Permissible ambient temperature [°F]			
Permissible inlet temperature [°F]	5 – 104	5 – 104	—
Relative humidity [%]	0 – 80	0 – 80	—

Tab. 11 Ambient and inlet conditions



Differing ambient and inlet conditions require recalculation of the performance data, and are permissible only upon agreement with the manufacturer.

Further information The wiring diagram for Option H2 in chapter 13.5.8 contains further details regarding electrical connection.

Installation altitude


The maximum permissible installation altitude depends on the main frequency and machine optional equipment.

An installation altitude > 3280 ft [AMSL] leads to performance restriction of the machine, which has already been taken into account in the project planning data sheet in chapter 13.6.

Option H12, Sound enclosure	Option C19, Thermostat	Maximum installation altitude AMSL [ft]
—	—	9842
✓	—	9842
✓	✓	6562

Main frequency available / option available: ✓

Not available. —

Tab. 12 Installation altitude

2.9 Filter maintenance indicator

Feature	Data
Indicator range [psi]	0 – 0.8

Tab. 13 Filter maintenance indicator

2.10 Pressure display

Feature	Data
Indicator range [psig]	0 – 23.2

Tab. 14 Pressure display

2.11 Sound pressure level/sound power level

Operating state LOAD under the following conditions:

- Nominal speed
- Nominal flow rate
- Nominal pressure

Measuring condition according to DIN EN ISO 2151 and basic standard ISO 9614–2:

- Measurement distance: 3 ft

- Tolerance: ± 3 dB(A)
- Sound insulated pipeline

Further information The sound pressure level and sound power level values for your machine are provided in the tables shown in chapter 13.3.
These values refer to the design condition.

2.12 Power Supply

Basic requirements

The machine is designed for an electrical supply according to National Electric Code (NEC), edition 2020, particularly article 670 and NFPA 79, edition 2021, particularly section 4.3. In the absence of any user-specified alternatives, the limits given in these standards must be adhered to. Consult manufacturer for any other specific power supply.

The incoming line within the control panel should be as short as possible.

If external sensors or communication lines are to be connected to the machine, use shielded cables and insert the same through EMC fittings into the control panel.

Three-phase

Do **NOT** operate package on any unsymmetrical power supply. Also do **NOT** operate package on power supplies such as a three phase WYE system with center point not solidly grounded or three-phase (open) delta.

The machine requires a symmetrical three-phase power supply transformer with a WYE configuration output as shown in Figure 1 and Figure 2. In a symmetrical three phase supply the phase angles and voltages are all the same.

Other power supplies are not suitable.

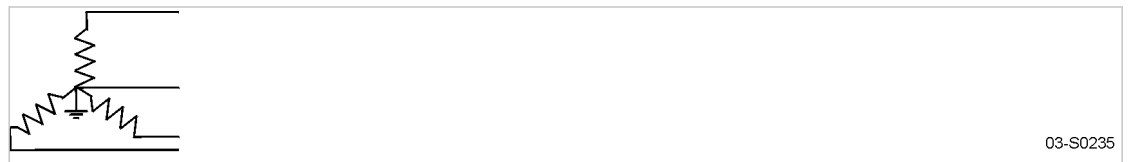


Fig. 1 Three-phase star (wye); 4 wire; center point solidly grounded

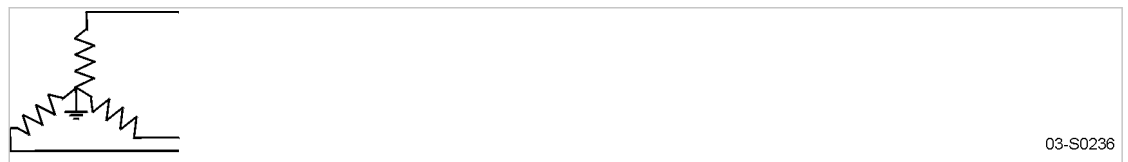


Fig. 2 Three-phase star (wye); 3 wire; center point solidly grounded

Further information Please contact an authorized KAESER service representative for options.
The electrical diagram 13.4 contains further specifications for electrical connection.

2.13 Power supply specifications

The following multi-strand copper core wires are given according to 2020 NEC 310.14, 310.15, 310.16 and table 310.16 adjusted for 40°C ambient temperature.

If other local conditions prevail, like for example high temperature, the cross section should be checked and adjusted according to 2020 NEC 110.14(C). 220.3. 310.14. 310.15. 310.16, 310.15(B)(1), table 310.15(C)(1). 430.6. 430.22. 430.24. 670.4(A) and other local codes.

Dual element time delay fuses are selected according to 2020 NEC 240.6. 430.52 and tables 430.52. 430.248 and 430.250.

We strongly suggest using a separate copper conductor for the equipment GROUNDING. 2020 NEC table 250.122 will point out the “minimum size”, however, we recommend a ground conductor the same size as the power leads, if local codes allow.

2.14 Options

Technical data for the options available for your machine are given in the following.

2.14.1 Option C5 Oil level monitoring

Feature	Data
Max. voltage [V]	48
Switching current [A]	0.5
Switching capacity [hp]	0.03
Type of contact	Normally closed
Protection class	IP67

Tab. 15 Oil level monitoring (Option C5)

Further information The wiring diagram for Option C5 in chapter 13.5 contains further details of the power supply.

2.14.2 Option C9 Pressure switch

Feature	Data	
Max. contact load at 250 V [A]	Inductive load	0.5
	Resistive load	1.0
Protection (with cover, electrical connection upwards)	IP54	

Tab. 16 Pressure switch (option C9)

Further information The wiring diagram for option C9 in chapter 13.5 contains further details of the power supply connection.

2.14.3 Option C10 Speed monitor

Sensor

Feature	Data
Rated switching distance S_n [in.]	0.04 – 0.12

Feature	Data
Installation conditions	Not flush
Output function	DC PNP/NPN
Enclosure protection	IP 67
Connection	M12
Working principle	Inductive

Tab. 17 Speed monitoring sensor (Option C10)

Sensor

Feature	Data
Rated voltage [V]	110 – 240 AC/DC (50 – 60 Hz) / 27 DC (typ. 24 DC)
Contact load capacity	6 A (250 V AC); B300, R300
Power consumption [VA]	5
Start override [s]	0 – 1000
Ambient temperature [°F]	-4 – +140
Degree of protection - enclosure/terminals	IP 50 / IP 20
Cable connection	up to 2.5 mm ² (AWG 14)

Tab. 18 Speed monitoring device (Option C10)

Sensor setting

Feature	Data		
Display format	DIM=0 (rpm)		
Number of control caps, input 1	NC1=2		
Memory function outputs 1 and 2	SO1=0 (inactive)	SO2=0 (inactive)	
Switching function outputs 1 and 2	FO1=2	FO2=3	AO3=4.0
Analogue starting value for analogue output 3 [mA]			
Switching point outputs 1 and 2 [rpm]	SP1=500	SP2=1000	FA3=1000
Analogue starting value for analogue output 3 [rpm]			
Hysteresis for switching points 1 and 2 [%]	HY1=3	HY2=5	
Start override time outputs 1 and 2 [s]	ST1=60.0	ST2=0.0	
Delay time outputs 1 and 2 [s]	DT1=10.0	DT2=0.0	
Wiping function outputs 1 and 2 [s]	FT1=0.0	FT2=0.0	

Tab. 19 Setting of the speed monitor evaluation device (Option C10)

Further information The wiring diagram for Option C10 in chapter 13.5 contains further details of the power supply connection.

2.14.4 Option C11
Unloaded start valve

Type	AFE 90	AFE 150
Permissible pressure [psi] (a)	0 – 29	0 – 29
Maximum flow rate [cfm]	3178	5297
Nominal width of flange (DIN ISO 228–1)	DN 150 PN 10	DN 200 PN 10

Tab. 20 Unloaded start valve (option C11)

2.14.5 Option C13
Temperature gauge switch

Feature	Data	
Switching capacity at 250 V(AC) [A] Single pole micro-switch with changeover contact	Inductive load	1.5
	Resistive load	5.0
Switching differential of the scale range [%]	<3	
Switching point tolerance [%] (of the scale range related to the cut-out point at rising temperature)	±5	
Minimum voltage [V] [AC]	24	
Minimum current [mA] (Switching safety)	20	
Enclosure protection	Front	IP 53
	Rear	IP 54

Tab. 21 Temperature gauge switch (Option C13)

Further information The electrical diagram for Option C13 in chapter 13.5 contains further details for the power supply connection.

2.14.6 Option C14
Pressure sensor

Feature	Data
Output signal [mA]	4 – 20
Parasitic energy [V]	$U_B = DC 10 - 30$
Permissible apparent resistance [Ohm]	$R_A = (U_B [V] - 10 V) / 0.02 A$
Enclosure protection	IP 65

Tab. 22 Pressure sensor (option C14)

Further information The wiring diagram for option C14 in chapter 13.5 contains further details of the power supply connection.

**2.14.7 Option C19, H12
Thermostat**

Feature	Data
Spring switch with change-over contact	1-pole
Switching capacity NC contact (1-2)	AC 230 V / 2.5 A / $\cos\phi=0.6$ AC 230 V / 16 A / $\cos\phi=1$ DC 230 V / 0.25 A
Switching capacity NO contact (1-4)	AC 230 V / 2.5 A / $\cos\phi=0.6$ AC 230 V / 6.3 A / $\cos\phi=1$ DC 230 V / 0.25 A
Switching differential scale starting position [%]	6
Switching differential scale end position [%]	1.5
Enclosure protection	IP 54

Tab. 23 Thermostat (Option C19)

Further information The electrical diagram for Option C19 in chapter 13.5 contains further details for the power supply connection.

**2.14.8 Option F5
Filter pressure differential switch**

Feature	Data
Pressure differential, adjustable [psi]	0.04 – 0.73
Voltage [V]	(AC) eff., min. 10 (AC) max. 250 (DC) min. 12 (DC) max. 48
Rated current [A]	(AC) 10
Switching current	(AC) eff., min. 20 mA (AC) max. 6 A, $\cos\phi = 1.0$ (AC) max. 3 A, $\cos\phi = 0.6$ (DC) min. 20 mA (DC) max. 1 A
Enclosure protection	IP 54

Tab. 24 Filter pressure differential switch (Option F5)

Further information The electrical diagram for Option F5 in chapter 13.5 contains further details for the power supply connection.

2.14.9 Option G1
Check valve

Flange connection	Max. pressure and back pressure [psi]
DN 300	17.4

Tab. 25 Check valve (Option G1)

2.14.10 Option H2, H12
Auxiliary heating

Rated voltage [V]	3x 115	3x 230	—
Heating capacity [hp]	3x 0.21	3x 0.21	—
Number of radiators	3	3	—

Tab. 26 Auxiliary heating (Option H2)

Thermostat

Feature	Data
Snap switch with change-over contact	1-pole
Switching capacity NC contact (1-2)	AC 230 V / 2.5 A / $\cos\phi=0.6$ AC 230 V / 16 A / $\cos\phi=1$ DC 230 V / 0.25 A
Switching capacity NO contact (1-4)	AC 230 V / 2.5 A / $\cos\phi=0.6$ AC 230 V / 6.3 A / $\cos\phi=1$ DC 230 V / 0.25 A
Switching differential scale starting position [%]	6
Switching differential scale end position [%]	1.5
Enclosure protection	IP 54

Tab. 27 Thermostatic auxiliary heating (Option H2)

Further information The wiring diagram for Option H2 in chapter 13.5 contains further details of the power supply connection.

2.14.11 Option H11
Piped inlet

The dimensional drawings in chapter 13.2 include connection dimensions.

2.14.12 Option H12
Fan (sound enclosure)

The sound enclosure is equipped with two fans. The values shown apply to each fan. Install devices for short-circuit and overload protection.

Set overload protection devices to 1.1 times the nominal value.

Further information See chapter 6.9.11.3 for the fan connection and chapter 13.5.9 for the connection wiring diagram.

Mains frequency: 60 Hz

Three-phase current

Rated voltage [V]	Δ -208/Y-360	Δ -220/Y-380	Δ -230/Y-400	Y-460	Y-575
Maximum flow rate [m ³ /h]	2060	2060	2060	2060	2089
Current consumption $\pm 10\%$ [A]	0.72/0.42	0.97/0.56	0.73/0.42	0.41	0.39
Protection class	IP55	IP55	IP55	IP55	IP55

Tab. 28 Fan motor 3~/60Hz (Option H12)

Alternating current

Rated voltage [V]	115	230
Maximum flow rate [m ³ /h]	2060	2060
Current consumption $\pm 10\%$ [A]	2.60	0.98
Protection class	IP55	IP65

Tab. 29 Fan motor 1~/60Hz (Option H12)

3 Safety and Responsibility

3.1 Basic instructions

The machine is manufactured to the latest engineering standards and acknowledged safety regulations. Nevertheless, dangers can arise through its operation:

- Danger to life and limb of the operator or third parties,
- Damages to the machine and other material assets.



Disregard of warning or safety instructions can cause serious injuries!

- Read the operating and installation manual carefully and take note of the contents for safe machine operation.
- Use this machine only if it is in a technically perfect condition and only for the purpose for which it is intended; observe all safety measures and the instructions in the service manual!
- Immediately rectify (have rectified) any faults that could be detrimental to safety!

3.2 Specified use

The machine is designed exclusively for the generation of pressure in a commercial or industrial environment where air (in the following "compressed air") as delivery medium is approved for use. Any other use is considered incorrect. The manufacturer is not liable for any damages that may result from incorrect use. The user alone is liable for any risks incurred.

- Comply with the instructions in this operating manual.
- Operate the machine only within its performance limits and under the permitted ambient conditions.
- Do not use compressed air for breathing purposes unless it is specifically treated.
- Do not use compressed air for any application that will bring it into direct contact with food products unless it is specifically treated.
- Operate the blower block only with inlet and outlet ports connected.

3.3 Improper use

Improper usage can cause damage to property and/or (severe) injuries.

- Only use the machine as intended.
- Never direct compressed air at persons or animals.
- Use hot cooling air for heating purposes only if there is no risk to the health of humans or animals. If necessary, hot cooling air should be treated by suitable means.
- Do not allow the machine to take in toxic, acidic, flammable, or explosive gases or vapors.
- Do not operate the machine in areas in which specific requirements with regard to explosion protection are in force.
- Intake of solid particles >0.004 inch is not permitted.

3.4 User's responsibilities

3.4.1 Observe statutory and universally accepted regulations

These are, for example, nationally implemented European directives and/or applicable national legislation, safety and accident prevention regulations.

- Observe relevant statutory and accepted regulations during installation, operation and maintenance of the machine.

3.4.2 Determining personnel

Suitable personnel are experts who, by virtue of their training, knowledge and experience as well as their knowledge of relevant regulations can assess the work to be done and recognize the possible dangers involved.

Authorized operating personnel possess the following qualifications:

- they are of legal age,
- are familiar with and adhere to the safety instructions and sections of the operating manual relevant to operation,
- they have received adequate training and authorization to operate electrical and compressed air devices,

Authorized installation and maintenance personnel have the following qualifications:

- they are of legal age,
 - must have read, be familiar with and adhere to the safety instructions and sections of the operating manual applicable to installation and maintenance,
 - are familiar with the safety concepts and regulations of electrical and compressed air engineering,
 - are able to recognize the possible dangers of electrical and compressed air devices and take appropriate measures to safeguard persons and property,
 - have received adequate training in and authorisation for the safe installation and maintenance of this machine.
- Ensure that personnel entrusted with operation, installation and maintenance are qualified and authorized to carry out their tasks.

3.5 Dangers

Basic instructions

Information concerning the various forms of danger that can arise during machine operation are found here.

Basic safety instructions are found in this service manual at the beginning of each chapter in the section entitled 'Safety'.

Warning instructions are found before a potentially dangerous task.

3.5.1 Safely dealing with sources of danger

The following describes the various forms of danger that can occur during machine operation.

Electricity

Touching voltage carrying components can result in electric shocks, burns or death.

- All power supplies must be fitted with lockable power supply disconnecting devices by the user.
- Allow only qualified and authorized electricians or trained personnel under the supervision of a qualified and authorized electrician to carry out work on electrical equipment according to electrical engineering regulations.
- Before commissioning or recommissioning the machine, the user must ensure adequate protection against electric shock from direct or indirect contact.
- Before starting any work on electrical equipment:
Switch off and lock out the power supply disconnecting device and verify the absence of any voltage.
- Switch off any external power sources.
These may be connections to the electric machine heating for example.
- Use fuses corresponding to machine power.
- Regularly check that all electrical connections are tight and in proper condition.

Forces of compression

Compressed air is contained energy. Uncontrolled release of this energy can cause serious injury or death. The following information concerns work on components that could be under pressure.

- Close shut-off valves or otherwise isolate the machine from the distribution network to ensure that no compressed air can flow back into the machine.
- Depressurize all pressurized components and enclosures.
- Allow no person or thing to remain near the blow-off valve during machine operation. In the event of operating pressure being exceeded, hot gas is blown off at high velocity and the valve tension rod is blown upward with great force.
- Do not carry out welding, heat treatment or mechanical modifications on pressurized components, as this influences the components' resistance to pressure.
The safety of the machine is then no longer ensured.

Compressed air quality

The composition of the compressed air must be suitable for the actual application in order to preclude health and life-threatening dangers.

- Use appropriate systems for air treatment before using the compressed air from this machine as breathing air and/or for the processing of food products.
- Use food-grade lubricating oil whenever compressed air is to come into contact with food products.

Spring forces

Springs under tension or compression store energy. Uncontrolled release of this energy can cause serious injury or death.

Safety relief valve and unloaded-start valve are under powerful spring loading.

- Do not open or dismantle any valves.

Rotating components

Touching the fan wheel (sound enclosure) or the belt drive while the machine is running can result in serious injury.

- Do not remove separating protective installations when the machine is running.
- Switch off and lock out the power supply disconnecting device and verify the absence of any voltage.
- Wear close-fitting clothes and a hair net if necessary.
- Ensure that all covers and safety guards are in place and secured before restarting.

Temperature

High temperatures are generated during compression. Touching hot components may cause injuries.

- Avoid contact with hot components.
These include, for example, blower blocks, silencers, oil and compressed air lines, motors, and machine heaters.
- Wear protective clothing.
- If welding is carried out on or near the machine, take adequate measures to prevent sparks or heat from igniting oil vapors or parts of the machine.

Noise

The sound enclosure reduces the machine noise to a tolerable level. This function will be effective only if the sound enclosure is closed.

- Wear hearing protection if necessary.
The blowing off of the safety relief valve can be particularly loud.

Operating fluids/materials

The used operating fluids and materials can cause adverse health effects. Suitable safety measures must be taken in order to prevent injuries.

- Strictly forbid fire, open flame, and smoking.
- Follow safety regulations when dealing with oils, lubricants, and chemical substances.
- Avoid contact with skin and eyes.
- Do not inhale oil mist and vapors.
- Do not eat or drink while handling lubricants.
- Keep suitable fire extinguishing agents ready for use.
- Use only KAESER approved operating materials.

Unsuitable spare parts

Unsuitable spare parts compromise the safety of the machine.

- Use only spare parts approved by the manufacturer for use in this machine.
- Use only genuine KAESER replacement parts on pressure bearing parts.

Conversion or modification of the machine

Modifications, additions, or conversions of the machine can result in unpredictable dangers.

- Do not convert or modify the machine!
- Obtain written approval by the manufacturer prior to any technical modification or expansion of the machine, the controller, or the control programs.

Extending or modifying the compressor station

If dimensioned appropriately, safety relief valves reliably prevent an impermissible rise in pressure. New dangers may arise if you modify or extend the blower air station.

- If an air distribution network is to be extended or changed: Check the capacity of the blow-off valves before installing any new machines.
- Blow-off valves of insufficient capacity must be replaced by valves with higher capacity.

3.5.2 Safe machine operation

The following is information supporting you in the safe handling of the machine during individual product life phases.

Personal protective equipment

When working on the machine you may be exposed to dangers that can result in accidents with severe adverse health effects.

- Wear protective clothing as necessary.

Suitable protective clothing (examples):

- Safety work wear
- Protective gloves
- Safety boots
- Eye protection
- Ear protection

Transport

The weight and size of the machine require safety measures during its transport to prevent accidents.

- Use suitable lifting gear that conforms to local safety regulations.
- Allow transportation only by personnel trained in the safe movement of loads.
- Attach lifting gear only to suitable lifting points.
- Be aware of the center of gravity to avoid tipping.
- Make sure the danger zone is clear of personnel.
- Do not step onto machine components to climb up the machine.

Assembly

- Make sure no power is applied when electrical connections are made.
- Use only electrical cables that are suitable and approved for the surroundings and electrical loads applied.
- Never dismantle compressed air pipes until they are fully vented.
- Only use pressure lines that are suitable and approved for the maximum working pressure and the intended medium.
- Do not allow connection pipes to be placed under mechanical stress.

- Do not induce any forces into the machine via the connections, so that the compressive forces must be balanced by bracing.
- Do not step onto machine components to climb up the machine.

Installation

A suitable installation location for the machine prevents the potential for accidents and faults.

- Install the machine in a suitable compressor room.
- Ensure sufficient and suitable lighting such that the display can be read and work carried out comfortably and safely.
- Ensure accessibility so that all work on the machine can be carried out without danger or hindrance.
- If installed outdoors, the machine must be protected from frost, direct sunlight, dust, rain and splashing water.
- Do not operate in areas in which specific requirements with regard to explosion protection are in force.
- Ensure adequate ventilation.
- Place the machine in such a manner that the working conditions in its environment are not impaired.
- Comply with limit values for ambient temperature and humidity.
- The intake air must not contain any damaging contaminants, Damaging contaminants are for instance: explosive or chemically instable gases and vapors, acid or base forming substances such as ammonia, chlorine or hydrogen sulfide.
- Do not position the machine in the warm exhaust air flow from other machines.
- Keep suitable fire extinguishing agents ready for use.

Commissioning, operation and maintenance

During commissioning, operation and maintenance you may be exposed to dangers resulting from, e.g., electricity, pressure and temperature. Careless actions can cause accidents with severe adverse effects for your health.

- Allow maintenance work to be carried out only by authorized personnel.
- Wear close-fitting, flame-resistant clothing. Wear protective clothing as necessary.
- Switch off and lock out the power supply disconnecting device and verify the absence of any voltage.
- Check that there is no voltage on floating relay contacts.
- Close shut-off valves or otherwise isolate the machine from the distribution network to ensure that no compressed air can flow back into the machine.
- Depressurize all pressurized components and enclosures.
- Allow the machine to cool down.
- Do not open the sound enclosure while the machine is switched on.
- Do not open or dismantle any valves.
- Use only spare parts approved by KAESER for use in this machine.
- Carry out regular inspections:
for visible damage,
of safety installations,
of the EMERGENCY STOP push button,
of any components requiring monitoring.

- Pay particular attention to cleanliness during all maintenance and repair work. Cover components and openings with clean cloths, paper or tape to keep them clean.
- Do not leave any loose components, tools or cleaning rags on or in the machine.
- Components removed from the machine can still be dangerous.
Do not attempt to open or destroy any components taken from the machine.

Decommissioning, storage and disposal:

Improper handling of old operating fluids and components represent a danger for the environment.

- Drain off fluids and dispose of them according to applicable environmental regulations. These include, for example, lubricating oil.
- Dispose of the machine in accordance with local environmental regulations.

3.5.3 Organizational measures

- Designate personnel and their responsibilities.
- Give clear instructions on reporting faults and damage to the machine.
- Give instructions on fire reporting and fire-fighting measures.

3.6 Danger areas

The table gives information on areas dangerous to personnel.

Only authorized personnel may enter these areas.

Function	Danger area	Authorized personnel
Transporting	Within a 10 ft radius of the machine.	Installation personnel for transporting preparation. No personnel during transporting.
	Beneath the lifted machine.	No personnel!
Installation	Within the machine. Within 3 ft radius of the machine and its power supply cables.	Installation personnel
Operation	Within a 3 ft radius of the machine.	Operating personnel
Maintenance	Within the machine.	Maintenance personnel
	Within a 3 ft radius of the machine.	

Tab. 30 Danger areas

3.7 Safety devices

Various safety devices ensure safe working with the machine.

- Do not change, bypass or disable safety devices.
- Check safety devices for correct function regularly.
- Do not remove or obliterate labels and notices.
- Ensure that labels and notices are clearly legible.

Further information More information on safety devices is contained in chapter 4, section 4.4.

3.8 Safety signs

The illustration shows the location of the safety signs on the machine. Table 31 lists the various safety signs used and their meanings.

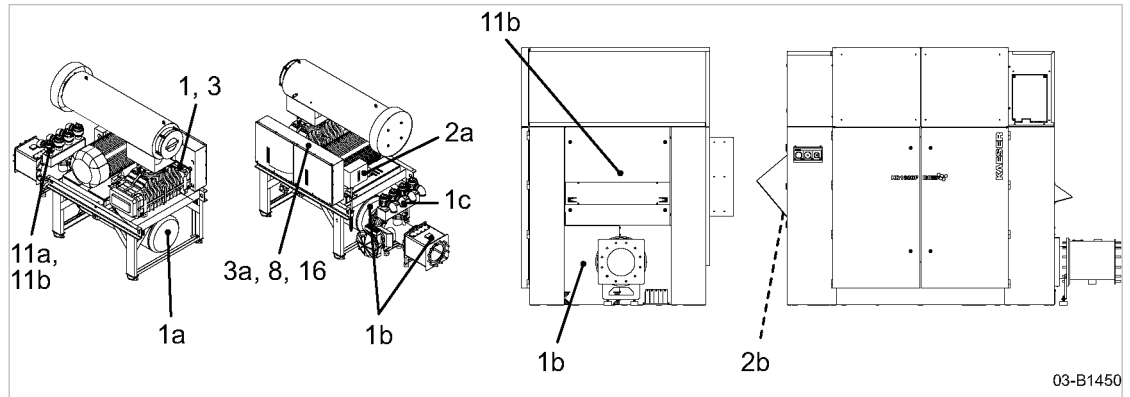


Fig. 3 Location of the safety signs on the machine

Options

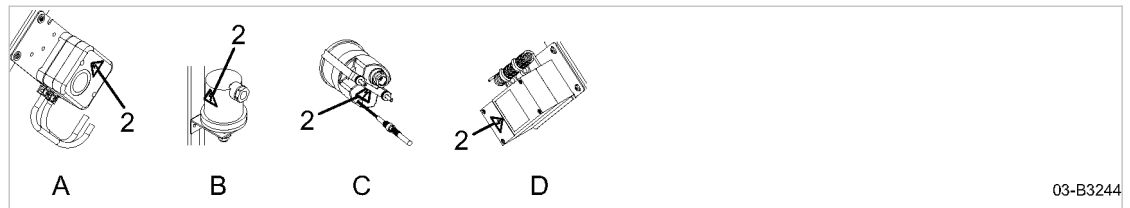


Fig. 4 Safety sign location, electronically actuated options

- | | |
|---|---|
| <p>(A) Filter differential pressure switch (Option F5)</p> <p>(B) Pressure switch (Option C9)</p> | <p>(C) Temperature display with switching point (Option C13)</p> <p>(D) Thermostat (Option C19)</p> |
|---|---|

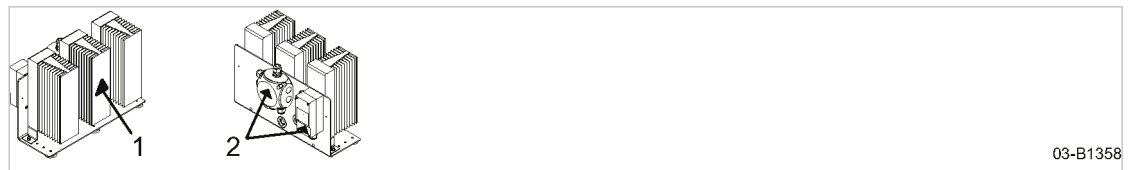












Fig. 5 Safety sign location, auxiliary heater, Option H2

Location	Symbol	Meaning
1 1a 1b		Hot surface can cause burns! <ul style="list-style-type: none"> ➤ Let the machine cool down. ➤ Wear long-sleeved garments (not synthetics such as polyester) and protective gloves.
2 2a 2b		Danger of fatal injury from touching electrically live components! <ul style="list-style-type: none"> ➤ Switch off and lock out / tag out the power supply disconnecting device and verify the absence of voltage before opening any machine enclosure or guard.

Location	Symbol	Meaning
3		<p>Rotating rotors!</p> <p>Risk of serious lacerations or even severing of extremities (fingers) from rotating components.</p> <ul style="list-style-type: none"> ➤ Operate the machine only when a connection is made to the inlet port. ➤ Switch off and lock out / tag out the power supply disconnecting device and verify the absence of voltage before opening any machine enclosure or guard.
8		<p>Personal injury or damage to the machine by incorrect operation!</p> <ul style="list-style-type: none"> ➤ Read and understand the service manual and all safety signs before switching on this machine.
11a 11b		<p>Hot gas!</p> <p>Risk of burning from contact with hot gasses.</p> <ul style="list-style-type: none"> ➤ Do not enter danger zone. ➤ Wear long-sleeved garments (not synthetics such as polyester) and protective gloves.
12a 12b		<p>Serious injury or death can result from loosening or opening component that is under pressure and heavily spring loaded!</p> <ul style="list-style-type: none"> ➤ Do not open or dismantle the valve. ➤ Contact an authorized KAESER service representative if a fault occurs.
13a 13b		<p>Serious injury or death can result from loosening or opening component under pressure!</p> <ul style="list-style-type: none"> ➤ Depressurize all pressurized components and enclosures. ➤ Ensure the machine remains depressurized. ➤ Check that machine is depressurized.
14		<p>Severe injury could result from touching the v-belt drive while it is rotating!</p> <ul style="list-style-type: none"> ➤ Switch off and lock out / tag out the power supply disconnecting device and verify the absence of any voltage before opening any machine enclosures or guard.
15		<p>Injury and/or contamination can result from breathing compressed air! Contamination of food can result from using untreated compressed air for food processing!</p> <ul style="list-style-type: none"> ➤ Never breathe untreated compressed air. ➤ Air from this compressor must meet OSHA 29CFR1910.134 and FDA 21CFR178.3570 standards, if used for breathing or food processing. Use proper compressed air treatment.
16		<p>Wear hearing protection!</p> <ul style="list-style-type: none"> ➤ Noise from running machine (without sound enclosure). ➤ Loud noise if any part of the sound enclosure (Option H12) is open while the machine is running.

Tab. 31 Safety signs

3.9 In emergency

3.9.1 Correct fire fighting

Suitable extinguishing agents

- Foam
- Carbon dioxide
- Sand or dirt

Unsuitable or unsafe extinguishing agents

- Strong jet of water

1. Keep calm.
2. Give the alarm.
3. Switch off the power supply disconnecting device, if possible.
4. Move to safety.
 - Warn persons in danger.
 - Help incapacitated persons.
 - Close the doors.
5. Try to extinguish the fire if you have the skill to do so.

3.9.2 Remove lubricating oil from the skin.

- Eye contact:
Rinse eyes thoroughly with lukewarm water and seek medical assistance.
- Skin contact:
Wash off immediately.

3.10 Environmental protection

- Store and dispose of operating materials and replaced parts in accordance with local environmental protection regulations.
- Observe national regulations.
This applies particularly to parts contaminated with lubricating oil.



- Do not allow lubricating oil to escape to the environment or into the sewage system.

3.11 Warranty

This operator manual contains no independent warranty commitment. Our general terms and conditions of business apply with regard to warranty.

A condition of our warranty is that the machine is used for the purpose for which it is intended under the conditions specified.

Due to the multitude applications for which the machine is suitable the obligation lies with the user to determine its suitability for his specific application.

In addition, we accept no warranty obligation for:

- the use of unsuitable parts or operating materials,
- unauthorized modifications,
- incorrect maintenance,
- incorrect repair.

Correct maintenance and repair includes the use of original spare parts and operating materials.

- Obtain confirmation from KAESER that your specific operating conditions are suitable.

4 Design and Function

4.1 Machine

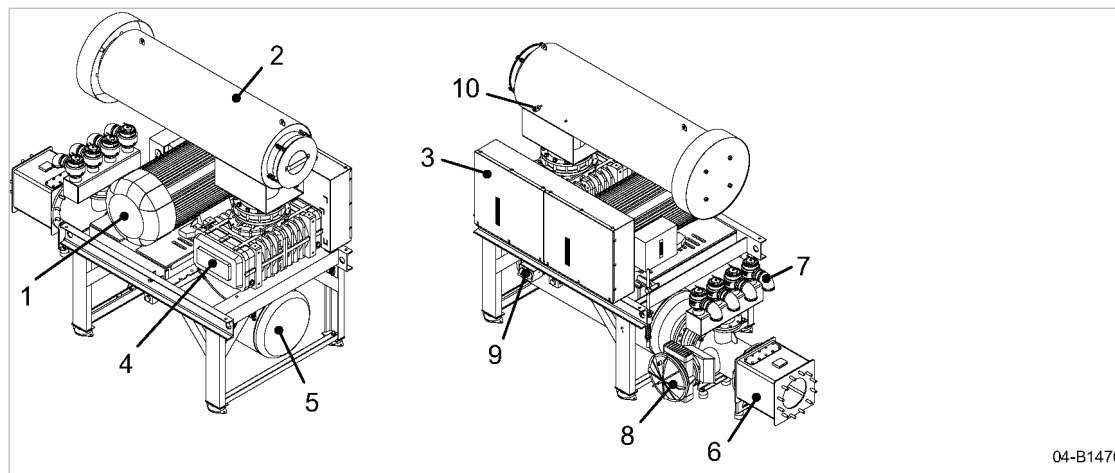


Fig. 6 Machine

- | | | | |
|---|-----------------|---|-----------------------------------|
| ① | Drive motor | ⑥ | Check valve (option G1) |
| ② | Inlet silencer | ⑦ | Safety relief valve |
| ③ | Belt guard | ⑧ | Unloaded start valve (option C11) |
| ④ | Blower block | ⑨ | Displays |
| ⑤ | Outlet silencer | ⑩ | Filter maintenance indicator |

The drive motor ① drives the blower block ④ via a belt drive.

Air is drawn into the inlet silencer ② via an air filter where it is cleaned.

The air is then expelled from the blower block in a vertical direction into the outlet silencer ⑤, where the process induces pressure build-up.

4.2 Blower block

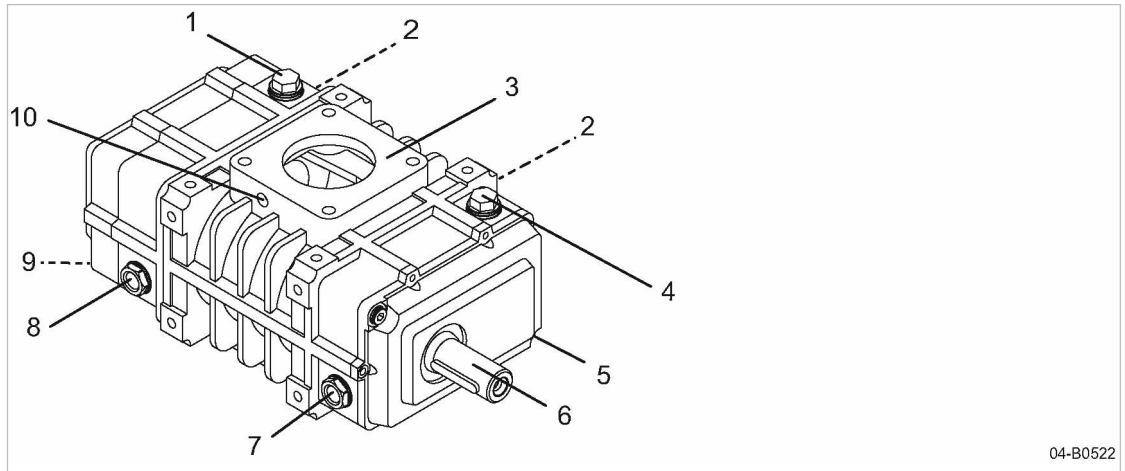


Fig. 7 Blower block

- | | |
|----------------------------------|--|
| ① Gear-end oil inlet | ⑥ Drive shaft |
| ② Side gas drainage (closed) | ⑦ Drive-end oil sight glass |
| ③ Flange connection (both sides) | ⑧ Gear-end oil sight glass |
| ④ Drive-end oil inlet | ⑨ Gear-end oil drain |
| ⑤ Drive-end oil drain | ⑩ Connection for measuring instrument (both sides) |

A pair of rotors with intermeshing lobes turn in opposite directions within a casing. The rotors are synchronized by timing gears on one end. Air in the block inlet is trapped between the rotor lobes and the casing and moved round to the discharge port.

As there is no contact between the rotors themselves and the casing, oil film lubrication is not required.

4.3 Safety relief valve

The safety relief valve (blow-off valve) protects the system from excessive pressure. It is factory set.

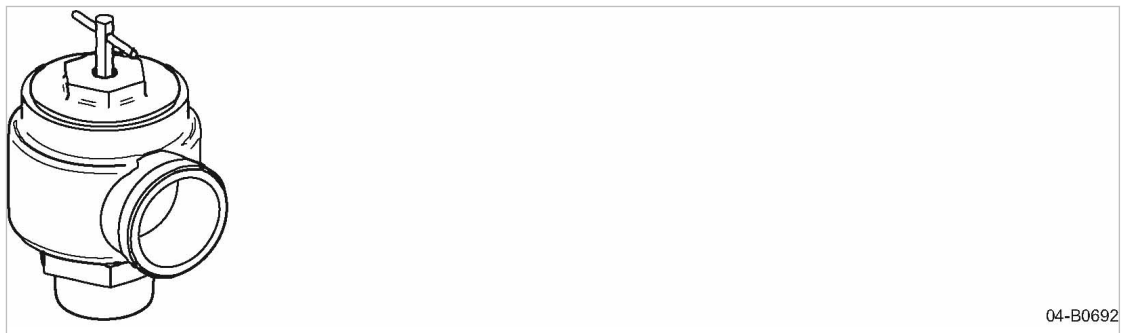


Fig. 8 Safety relief valve (blow-off valve)

4.4 Safety devices

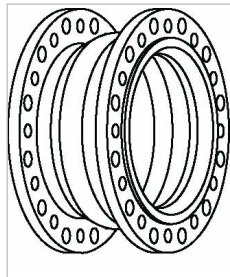
The following safety devices are provided and may not be modified in any way.

- Safety relief valve:
The safety relief valve protects the machine from excessive pressure build-up. It is factory set.
- Covers over moving parts and electrical connections:
These protect against accidental contact.

4.5 Compensator

The compensator functions as follows:

- Inlet and outlet connections to silencers and accessories,
- Isolates the machine vibrations from the air pipeline.



04-B0694

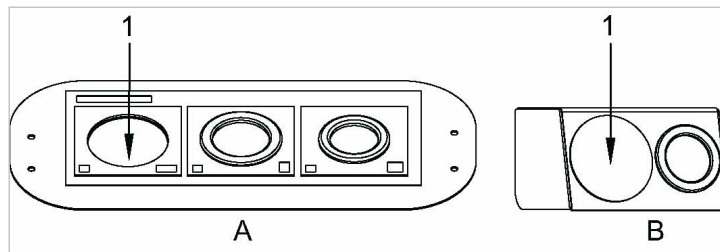
Fig. 9 Compensator

4.6 Filter maintenance indicator

The maintenance indicator shows when the filter needs maintenance. When the filter becomes clogged and flow resistance rises to a set point, the maintenance signal is given.

4.7 Pressure gauge

The pressure gauge shows the pressure in the blower block discharge port.



04-B0693

Fig. 10 Location of the pressure gauge

- (A) Machine with sound enclosure
- (B) Machine without sound enclosure
- (1) Pressure gauge

4.8 Floating relay contacts

Potential-free contacts for the transmission of messages are provided.

For information on location, loading capacity, and message type please see electrical wiring diagrams options in Chapter 13.5.



If the floating relay contacts are connected to an external voltage source, voltage may be present even when the machine is isolated from the power supply.

4.9 Options

The options available for your machine are described below.

4.9.1 Option C5 Oil level monitor

This device monitors the level of lubricating oil in the blower block.

This electronic monitoring does not relieve the obligation to make regular manual checks of the oil level.

Functional description

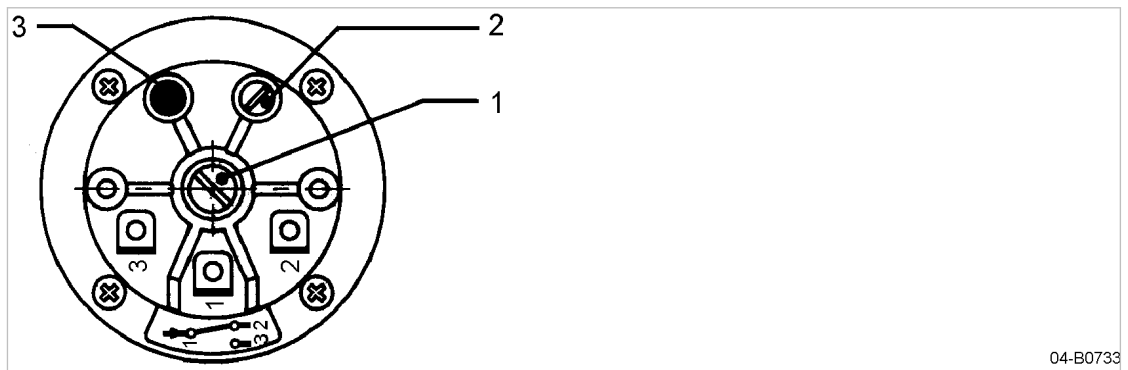
Two float-type level sensors monitor the level of oil in the drive and gear-end oil chambers. If the oil level falls below the minimum level, a switching contact is opened. The resulting signal is interpreted by external components provided by the user.

4.9.2 Option C9 Pressure switch

The pressure switch sends a signal when the set pressure is exceeded.



The pressure switch is factory set according to the customer's specification. In other cases it must be set according to the application.



04-B0733

Fig. 11 Pressure switch

- ① Switching point adjusting screw
- ② Switching differential adjusting screw
- ③ Screw sealed with a protective coating

The switching point can be adjusted by the screw ① while the machine is running.

Fine adjustment and switching differential is set with the adjusting screw ②.



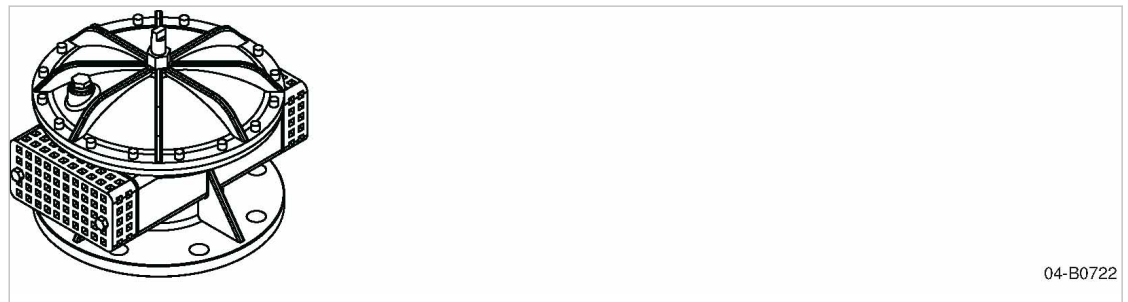
The screw ③ is sealed with a protective coating. It is not to be adjusted.

4.9.3 Option C10 Speed monitor

The speed monitor measures the rotational speed of the blower block.

4.9.4 Option C11 Unloaded start valve

The unloaded start valve prevents the machine starting against a load in the star-delta phase. The valve closes when the motor starter switches from star (Y) to delta (Δ).



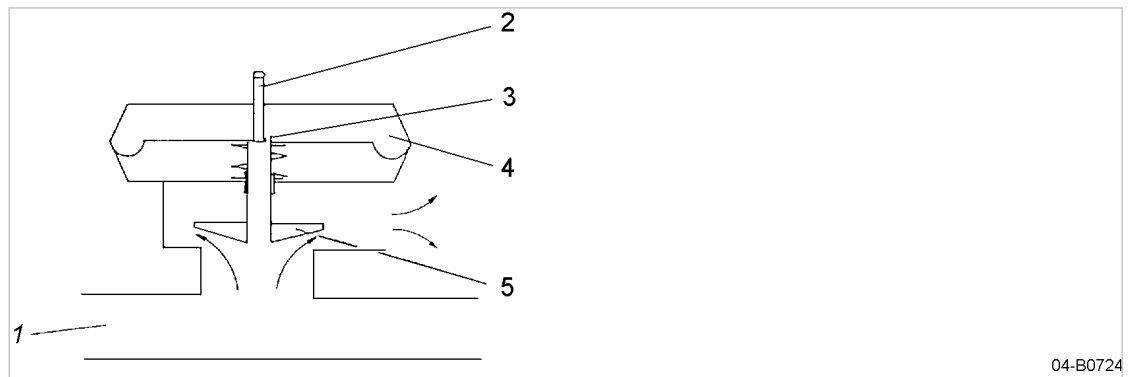
04-B0722

Fig. 12 Unloaded start valve



The unloaded start valve is factory set.

Functional description



04-B0724

Fig. 13 Diagram of the unloaded start valve

- | | |
|-------------------|---------------------|
| ① Air network | ④ Diaphragm chamber |
| ② Adjusting screw | ⑤ Valve cone |
| ③ Nozzle | |

When the machine is shut down the valve cone ⑤ is open.

When the machine is started, air passes through the blow-off aperture to atmosphere.

Screwing in the adjusting screw (2) reduces the gap between the valve cone (5) and its seating so that it closes at a lower flow rate.

(1.5 psig pressure is needed in the network to close the valve cone (5))

Back pressure enters through the nozzle (3) into the upper diaphragm chamber (4) to close the valve cone. The closing time can be influenced by changing the position of the valve cone with the adjusting screw (2).

Changing the closing time with the adjusting screw:

- Clockwise - shorter closing time
- Counterclockwise - longer closing time

**4.9.5 Option C13
Temperature gauge switch**

The gauge shows the temperature in the block discharge port and has a floating relay changeover contact that can be set to switch at a selected temperature.



The switching point is factory set to 293 °F.

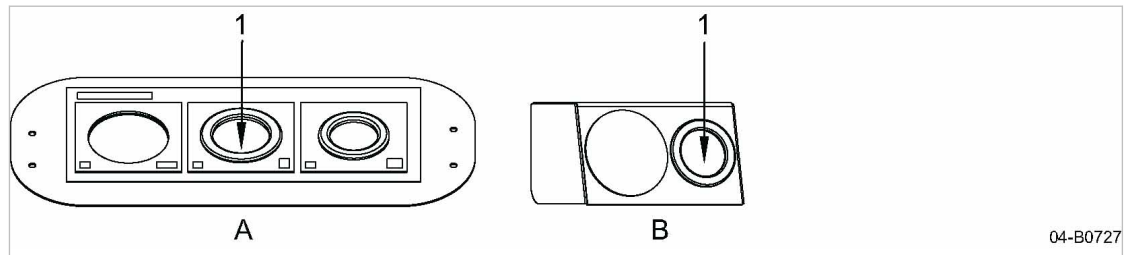


Fig. 14 Location of the temperature gauge
 (A) Display: Machine with sound enclosure (Option H12)
 (B) Display: Machine without sound enclosure
 (1) Temperature gauge

Setting instructions

The switching point can be adjusted by means of the screw beneath the protective cover on the front plate.

Possible adjustment for working conditions on site:

- Block discharge temperature lower than 293 °F
 - If the average block discharge temperature is significantly lower than 293 °F, the gauge switching point can be adjusted down.
The recommended switching point is the average block discharge temperature plus +15 K.
- Block discharge temperature higher than 293°F
 - If the average block discharge temperature is near to or higher than 293 °F, adjust the switching point upward.
The maximum permissible value is 311 °F.

**4.9.6 Option C14
Pressure sensor**

The sensor measures the actual block discharge pressure.



Fig. 15 Pressure sensor

4.9.7 Option C19, H12 Thermostat

The thermostat controls the temperature within the sound enclosure. It consists of a temperature sensor with a floating relay change-over contact.



The switching point is factory set to 140°F.

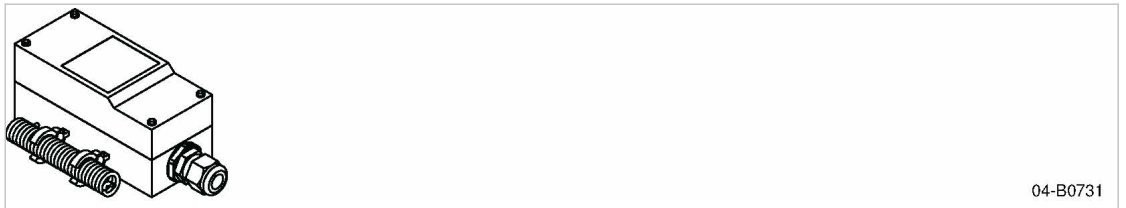


Fig. 16 Thermostat

4.9.8 Option F5 Filter pressure differential switch

The filter pressure differential switch monitors contamination of the intake filter.

The switch is triggered by pressure differential. Falling below or rising above the set value causes the current flow to switch on, switch off or changeover according to how the switch is wired.

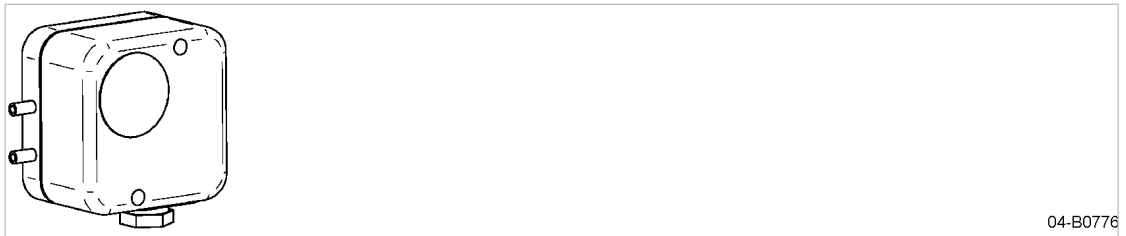
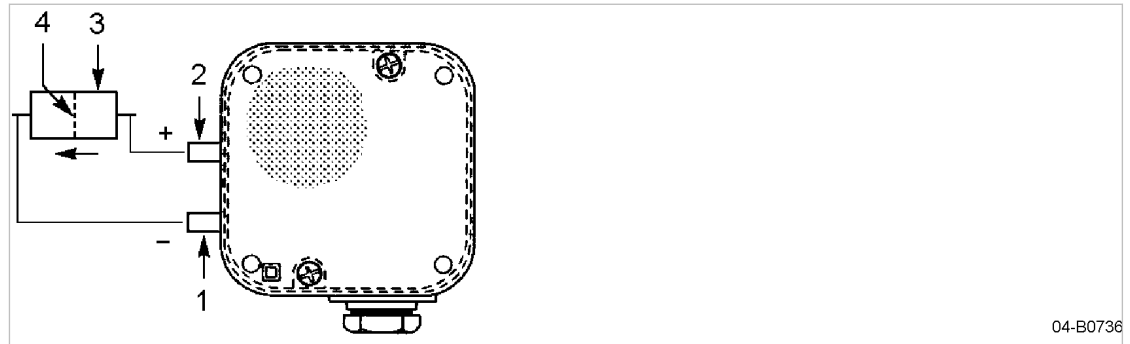


Fig. 17 Filter pressure differential switch

Pressure connection diagram

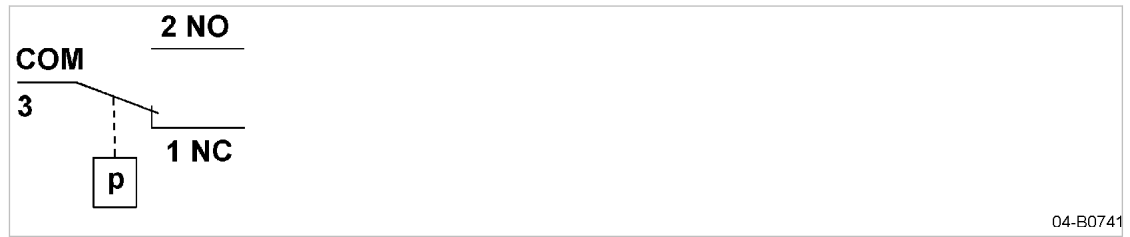


04-B0736

Fig. 18 Pressure connection to the filter pressure differential switch

- | | |
|------------------------------|------------------|
| ① Low pressure connection | ③ Inlet silencer |
| ② Higher pressure connection | ④ Filter |

Switching function



04-B0741

Fig. 19 Filter pressure differential switch function

Switching with rising pressure:

- 1 NC opens
- 2 NO closes

Switching with falling pressure:

- 1 NC closes
- 2 NO opens

**4.9.9 Option G1
Check valve**

The check valve prevents the reversal of the intended air flow direction.

The valve is closed when the machine is at standstill.

The connecting screws are secured by means of adhesive.

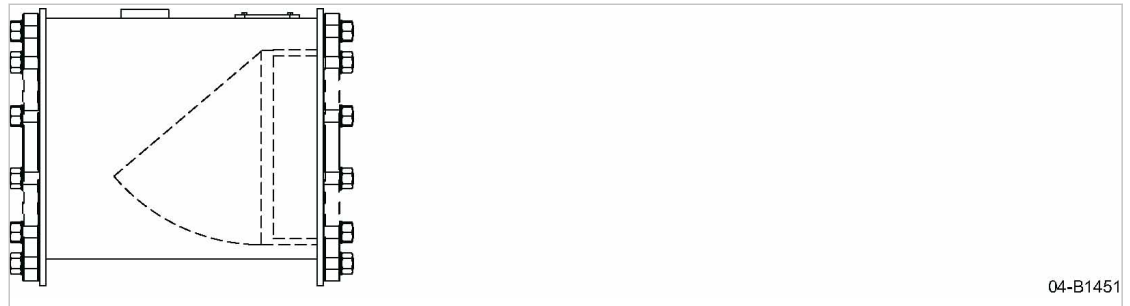


Fig. 20 Non-return flap

4.9.10 Option H2, H12 Auxiliary heating

The auxiliary heating has the following functions:

- Prevents condensation forming on the machine in climates of high humidity.
- Pre-warms the machine when ambient temperatures are below 23°F.

The auxiliary heating is designed to raise the machine temperature to about 50°F.



The thermostat switching point is factory set to 41°F.

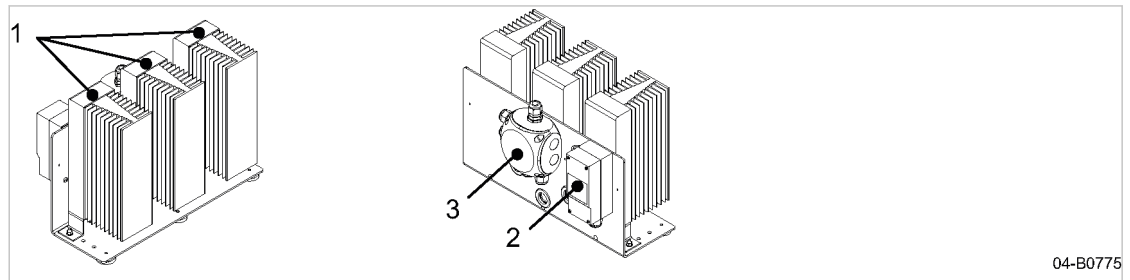


Fig. 21 Auxiliary heating

- ① Radiator
- ② Thermostat
- ③ Terminal box

4.9.11 Option H3, H12 Outdoor installation

Air inlet and outlet openings must be provided with weather protection when the machine is installed outdoors. The joints at the sound enclosure (Option H12) are sealed with silicone.

4.9.12 Option H11 Piped inlet

Air is drawn into the block through the inlet silencer.

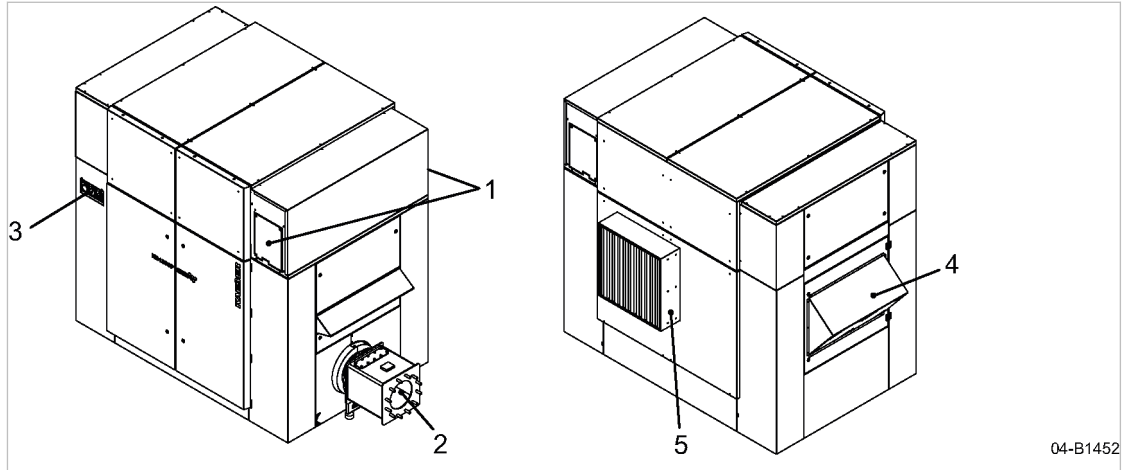
**4.9.13 Option H12
 Sound enclosure**


Fig. 22 Sound enclosure overview

- | | |
|----------------------------|----------------------|
| ① Intake air inlet | ④ Cooling air outlet |
| ② Pressure line connection | ⑤ Cooling air inlet |
| ③ Displays | |

The drive motor fan draws cooling air through the cooling air inlet ⑤ into the sound enclosure to cool the drive motor and the machine.

Cooling air flow is boosted by a fan within the sound enclosure. The warm air is expelled to the exterior in order to prevent the machine from overheating.

Air to be compressed is drawn in through the intake air inlet ①. This ensures that only air at ambient temperature is compressed.

The sound enclosure has access doors and panels that can be opened.

Latches are released by a key supplied with the machine.

The sound enclosure has several functions when it is closed:

- Sound insulation
- Protection against contact with components
- Airflow control

The sound enclosure is not suitable for the following uses:

- Walking on, standing on, or sitting on.
- Use as a resting place or storage of any kind of load.

5 Installation and Operating Conditions

5.1 Ensuring safety

The conditions in which the machine is installed and operated have a decisive impact on safety. Warning instructions are located before a potentially dangerous task.



Disregard of warning instructions can cause serious injuries!

Complying with safety instructions

Disregard of safety warnings can cause unforeseeable dangers!

- Strictly forbid fire, open flame and smoking.
- If welding is carried out on or near the machine, take adequate measures to prevent sparks or heat from igniting oil vapors or parts of the machine.
- Do not store flammable material in the vicinity of the machine.
- The machine is not explosion-proof!
Do not operate in areas in which specific requirements with regard to explosion protection are in force.
- Ensure sufficient and suitable lighting such that the display can be read and work carried out comfortably and safely.
- Keep suitable fire extinguishing agents ready for use.
- Comply with the permissible ambient and intake conditions.
- Ensure the correct composition of the intake air:
 - Clean with no damaging contaminants (e.g., dust, fibers, fine sand).
 - Free of explosive or chemically unstable gases or vapors.
 - Free of acid/alkaline forming substances, particularly ammonia, chlorine or hydrogen sulfide.

Noise

The sound enclosure absorbs and reduces the machine noise to a comfortable level. This function will be effective only if the sound enclosure is closed.

- If necessary, wear hearing protection or take hearing protection measures on-site.

5.2 Installation conditions

5.2.1 Determining location and clearances

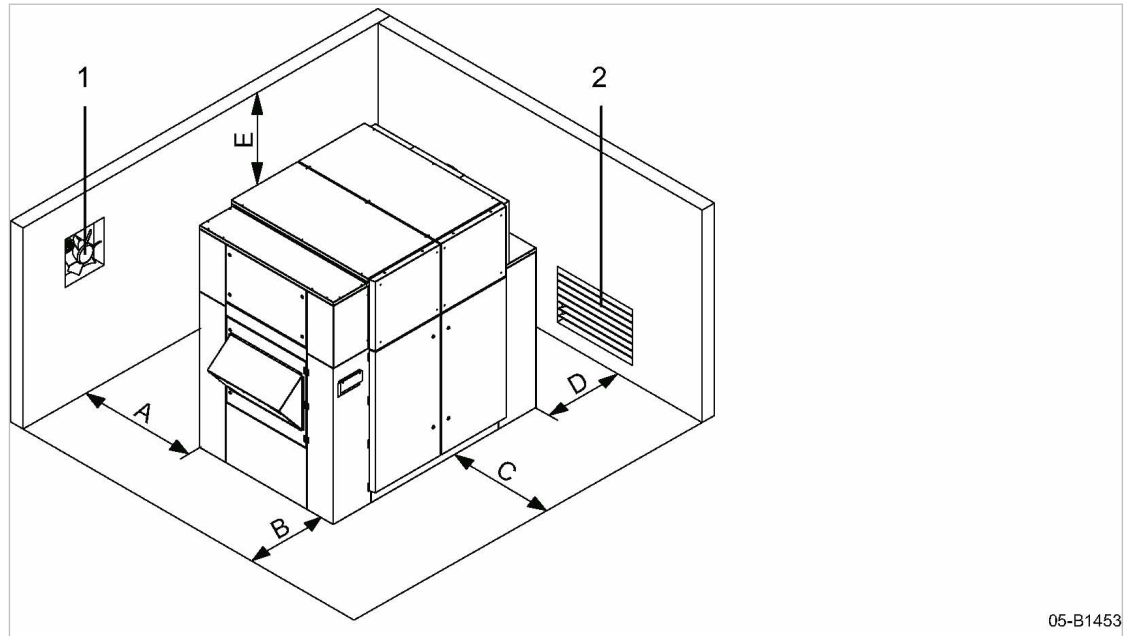
The machine is intended for installation in an appropriate machine room. Information on distances from walls and ventilation is given below.



The distances quoted are recommended distances and ensure unhindered access to all machine parts.

- Please consult an authorized KAESER service representative if you cannot comply with these recommendations.

Precondition The floor must be level, firm, and capable of bearing the weight of the machine. No special foundation is necessary.



05-B1453

Fig. 23 Recommended machine placement and minimum dimensions [in.]

(A)	2.6	(E)	3.3
(B)	3.3	(1)	Exhaust fan
(C)	4.9	(2)	Air inlet aperture
(D)	4.9		

- If the ambient temperature is too low: Heat the machine room adequately or install an auxiliary heater.
- Ensure accessibility so that all work on the machine can be carried out without danger or hindrance.
- Do not position the machine in the warm exhaust air flow from other machines.
- When installing multiple machines, ensure that all intake and exhaust air openings are arranged at one side.
- If installed outdoors, protect the machine against frost, direct sunlight, dust, and rain.

5.2.2 Ensuring adequate ventilation



If the ventilation is insufficient, a partial vacuum can be created in the room.

- Ensure that the volume of air flowing into the machine room is at least equivalent to that being removed from it by the machine and exhaust fan.
- Make sure that a sufficient amount of oxygen is supplied to individuals in the machine room.
- Make sure that the machine and exhaust fan can only operate when the inlet aperture is actually open.
- Keep the inlet and exhaust apertures free of obstructions so that the cooling air can flow freely through the room.
- Ensure clean air in order to support the proper functioning of the machine.

5.3 Option H3, H12 Outdoor installation

Air inlet and outlet openings must be provided with weather protection when the machine is installed outdoors. The joints at the sound enclosure (Option H12) are sealed with silicone.

- Consult KAESER for advice on this subject.

6 Installation

6.1 Ensuring safety

Follow these instructions to ensure safe installation.

Warning instructions are provided prior to any potentially dangerous task.



Disregard of warning instructions can result in life-threatening injuries!

Observe safety instructions

Ignoring safety instructions can result in unforeseen dangers.

- Follow the instructions in chapter 3 "Safety and Responsibility".
- Installation work must be carried out by authorized personnel only!
- Ensure that no personnel are working on the machine.
- Ensure that all cover panels are closed.

Working on live components

Touching live components can result in electric shocks, burns or death.

- Work on electrical equipment may only be carried out by authorized and certified electricians.
- Switch off the power supply disconnecting device, lock out / tag out the device, verify the absence of all voltage.
- Check that any floating contacts are free from voltage.

Working on the pressure system

Compressed air is stored energy. Uncontrolled release of this energy can cause serious injury or death. The following safety instructions relate to any work on components that might be pressurized.

- Switch off the power supply disconnecting device, lock out / tag out the device, verify the absence of all voltage.
- Close shut-off valves or otherwise isolate the machine from the compressed air network so as to ensure that no compressed air can flow back into the machine.
- Fully vent all pressurized components and enclosures.
- Do not open or dismantle any valves.

Working on the drive system

Touching live components can result in electric shocks, burns or death.

Touching the fan wheel or the belt drive while the machine is running can result in serious injury.

- Switch off the power supply disconnecting device, secure it against being switched on again, verify the absence of all voltage.

- Do not open any of the cover panels while the machine is switched on.
- If full protection is only provided when the machine is completely installed, then in all other phases of the machine's life-cycle temporary protective devices (e.g. covers) must be fitted, in order to guarantee that parts of the body cannot reach or be caught/sucked in by the rotary lobes.

Further information Information regarding authorized personnel can be found in chapter 3.4.2.
Information regarding dangers and the avoidance thereof can be found in chapter 3.5.

6.2 Reporting transport damage

1. Check the machine for visible and hidden transport damage.
2. Inform the carrier and the manufacturer in writing of any damage without delay.

6.3 Anchoring the machine

The machine may be anchored to the floor.

The following anchoring elements are shipped with the machine:

Foundation bolts for machines without sound enclosure.

Foundation bolts and angle brackets for machines with sound enclosure.

- Use the anchoring elements to anchor the machine without stress.

Further information Details of the fixing holes are contained in the dimensional drawing in chapter 13.2.

6.4 Do not remove or change the adjusting screw of the pivoted motor base

The hex-head bolt that presses against the pivoted motor base from the side serves as an adjusting screw for the fine adjustment of the belt alignment. A gap between the hex-head bolt and the pivoted motor base ensures the clearance in radial direction and forms the stop in axial direction.

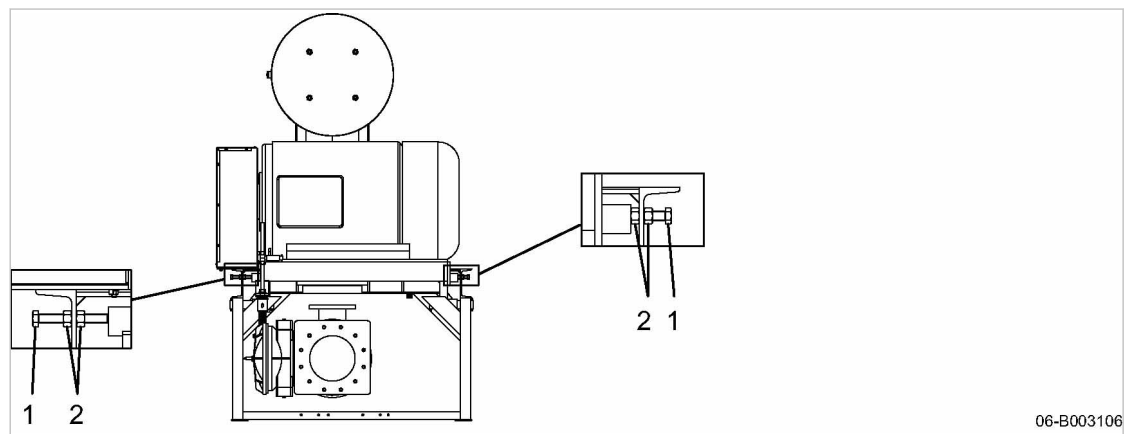


Fig. 24 Pivoted motor base

- ① Adjusting screw
- ② Hex nut

- Do **not** remove or change the adjusting screw ① and corresponding hex-nut ②.
- Contact an authorized KAESER service representative with any questions regarding the alignment of the belt drive.

6.5 Connecting the machine to the power supply

Precondition The power supply disconnecting device is switched off, lock out and tag out the device, the absence of any voltage has been verified.

The tolerance limits of the power supply are within the permissible tolerance limits of the rated machine voltage.

Option C32, operation under frequency control: The voltage in the intermediate circuit capacitors of the frequency converter is reduced.

1. The power supply must only be connected by authorized installation personnel or an authorized electrician.
2. Carry out safety measures as stipulated in relevant regulations and in national accident prevention regulations. In addition, observe the regulations of the local electricity supplier.
3. Select supply cable conductor cross sections and fusing in accordance with machine power and as per local regulations.
4. Test the overcurrent protective device to ensure that the time it takes to shut down in response to a fault is within the permitted limit.
5. The user is required to fit the machine with a lockable power supply disconnecting device which must comply with the requirements of EN 60204-1: 2018. 5.3.
This could be, for example, a load disconnect switch with fused input. If a circuit breaker is used it must be suitable for the motor starting characteristics.
6. Connect the drive motor to the power supply in accordance with the applicable connection diagram.
See connection diagram in chapter 13.4.
7. The user's safety devices must be correctly connected to the machine's electrical system by a qualified person.
8. Option C32, operation with frequency converter: Please refer to - and observe - all documentation regarding operation of, and work on, the frequency converter.
9. **⚠ DANGER** *Danger of fatal injury from electric shock!*
 - *Switch off and lock out/tag out the power supply disconnecting device and verify the absence of voltage.*
 - *When working with the frequency converter: Wait at least 5 minutes for dangerous voltages to subside.*
10. Connect the machine to the power supply.
11. Properly close openings, cable glands, etc.



The machine can be operated at full power at the rated voltage with a tolerance of $\pm 5\%$.

6.5.1 Option C32 For frequency control



If the machine delivered by KAESER includes the frequency converter, the regulation behavior and operating mode of the frequency converter will be preset.

- Adapt and optimize the actual properties to the customer system on-site.

Comply with the following provisions if you operate machines with a frequency converter:

- Operate the machine only within its performance limits and under the permitted ambient conditions.
- The frequency converter must be suitable for the operation of a working machine with constant torque. Models with squared torque may not be used.
- Drive motor rated power ≤ 75 hp:
To avoid bearing damage at the drive motor, install components for magnetic shielding at the frequency converter's phase wire output ends (e.g., rings with high permeability).
- When operating the machine with frequency converter, the drive motor must be designed as follows:
 - Voltage < 500 V ≥ 100 hp:
Standard winding and isolated bearing or bearing shield at the control side, regardless of the model.
 - Voltage ≥ 500 V < 100 hp:
Enhanced winding isolation, standard bearing, regardless of the model.
 - Voltage ≥ 500 V ≥ 100 hp:
Enhanced winding isolation and isolated bearing or bearing shield at the drive and the control side, regardless of the model.
- Frequency converters providing a lower initial voltage than the rated motor voltage will cause an increased power consumption and heat development in the drive motor. This results in a reduced nominal motor power that can be utilized and thus a decrease in the machine's regulating range. To avoid damage to the drive motor, please consult with the manufacturer of the frequency converter.
- Use a frequency converter with IGBT transistors.
- The speed change should be approx. 5 Hz per second. This value applies also for the starting ramp from standstill to reaching minimum frequency. Changing the settings, either slower or faster, may be possible after verification by an authorized KAESER service representative.
- The frequency converter may be switched onto a motor in standstill only, in order to avoid malfunctions.
- Upon deactivation of the frequency converter, it must be impossible to reactivate it until after complete machine standstill.
- For a shut-down in the event of a malfunction, integrate the following devices in the user's controller:
 - PTC resistor for monitoring the winding temperature of the drive motor.
 - Thermostat for monitoring the blower block discharge temperature.
- For safety-technical reasons, an automatic restart of the machine is not permitted and must be fully deactivated when parametrizing the frequency converter.

- The maximum conductor length between the output of the frequency converter and drive motor is 98 ft. Longer conductors may be possible upon verification by an authorized KAESER service representative.
- Only shielded conductors may be used to connect the machine to ensure an EMC compliant connection and machine operation.
 - Do not twist the braided shield of these conductors. The braided shield must be generously spread two-sided across the ground potential.
 - Use only EMC shield clamps or EMC-compliant screwed cable glands.
 - This also applies to other connecting cables, such as the thermistor sensors (PTC) of the drive motor.

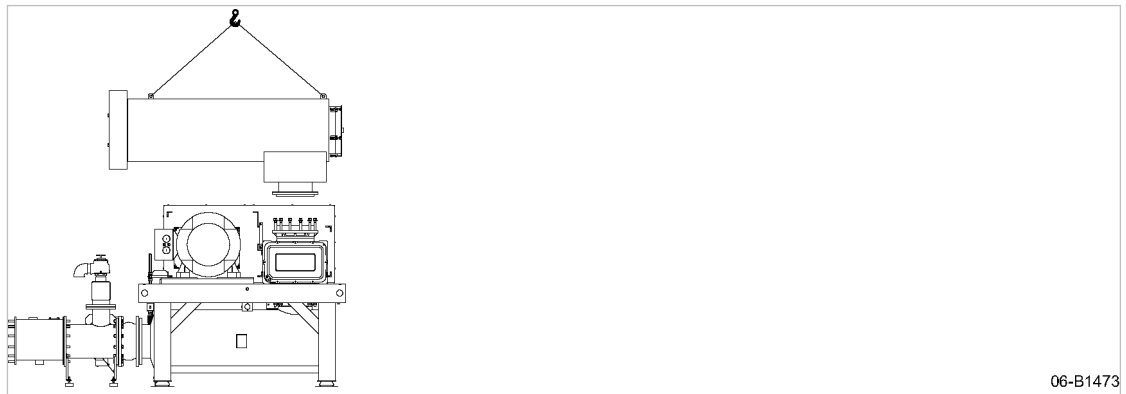
Further information Consult with an authorized KAESER service representative to determine an appropriate frequency converter.

6.6 Installing the inlet silencer



Weight of the inlet silencer: max 661 lb.

Material Inlet silencer, lifting gear, torque wrench



06-B1473

Fig. 25 Installing the inlet silencer

1. **⚠ CAUTION** *Rotating rotors. Danger of squashing or severing, especially of extremities.*
 - Do not reach into the interior of the block.
2. Remove the cover from the flange connection of the blower block.
3. Attach the lifting sling at the eyelets of the inlet silencer and lift, using appropriate lifting gear.
4. Align the inlet silencer in parallel with the outlet silencer and lower carefully.
5. Install the inlet silencer at the flange of the blower block.
Tightening torque 133 lb-ft.

6.7 Installing accessories on the T-piece

Material T-piece, valve support including safety valves, compensator with M20 screw connection, unloaded start valve, torque wrench

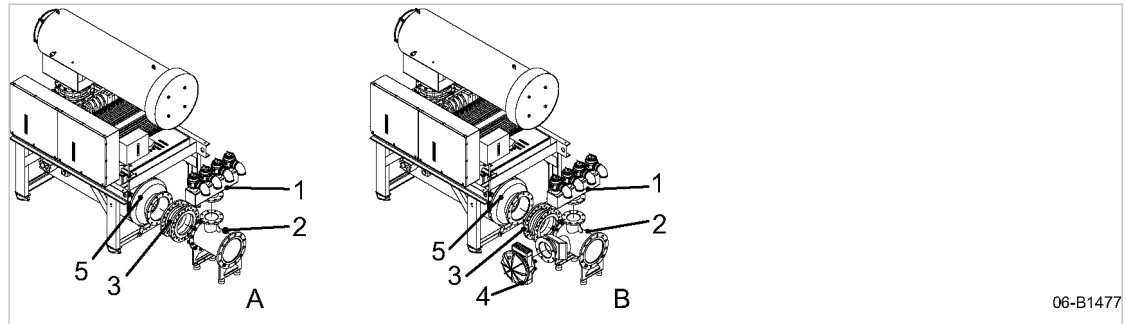


Fig. 26 Installing the T-piece

- (A) Version A
- (B) Version B
- (1) Valve support including safety relief valves
- (2) T-piece
- (3) Compensator
- (4) Unloaded start valve (Option C11)
- (5) Discharge silencer

1. Remove the cover from the flange connection for the discharge silencer.
2. Install the T-piece, valve support, compensator, and unloaded start valve in accordance with the torques shown below:

Connection	Tightening torque [Nm]
Discharge silencer/compensator* (Versions A and B)	74
T-piece/valve support	133
Compensator*/T-piece (Versions A and B)	74
T-piece/unloaded start valve	133

* Tighten bolts equally by hand, pretension crosswise with 50 Nm and then fully tighten crosswise using tightening torque as per the table.

Tab. 32 Tightening torques on T-piece

6.8 Safety devices installed by the user

- The user must install the necessary safety devices.
 - Three PTC thermistor sensors should be installed by the user to protect against drive motor overheating or overloading.
 - A motor overload protection switch/overload relay (if not included with the deliverables) must be installed to monitor maximum current draw(s).
 - EMERGENCY OFF command device for immediate shut-down of the machine.
- The user must monitor the following parameters:
 - Permissible final pressure
 - Maximum block discharge temperature
- Consult KAESER for advice on this subject.



Safety valves and check valves are not regulating means in case of overpressure. The activation of the safety relief valve (blow-off valve) constitutes an impermissible operating state requiring immediate remedial measures.

6.9 Options

All options, with the exception of G1 and H12, are mechanically installed. The electrical connections and evaluations are the customer's responsibility.

- Instructions on individual options should be followed.

6.9.1 Option C5 Connecting the oil level monitor

- Connecting the oil level monitor.

Further information See electrical diagram in chapter 13.5.1.

6.9.2 Option C9 Connecting the pressure switch

- Connecting the pressure switch

Further information See chapter 13.5.2.

6.9.3 Option C10 Connecting the speed monitor

The sensor and transmitter are mechanically installed.

- A speed monitor sensor is supplied separately when ordered individually. Install in the user's control cabinet and wire up.

Further information See chapter 2.14.3 for the sensor settings.
The wiring diagram for the speed monitor is found in chapter 13.5.3.

6.9.4 Option C13 Connecting the temperature gauge switch

- Connect the temperature gauge switch.

Further information See electrical diagram in chapter 13.5.4.

6.9.5 Option C14 Connecting the pressure sensor

- Connecting the pressure sensor

Further information See chapter 13.5.5.

6.9.6 Option C19 Connecting the thermostat

- Connect the thermostat.

Further information See electrical diagram in chapter 13.5.6.

6.9.7 Option F5
Connecting the filter pressure differential switch

- Connect the filter pressure differential switch.

Further information See electrical diagram in chapter 13.5.7.

6.9.8 Option G1
Installing the check valve

Material Check valve, torque wrench



Check valve weight: 198 lb
The closing element fastening must be at the top.

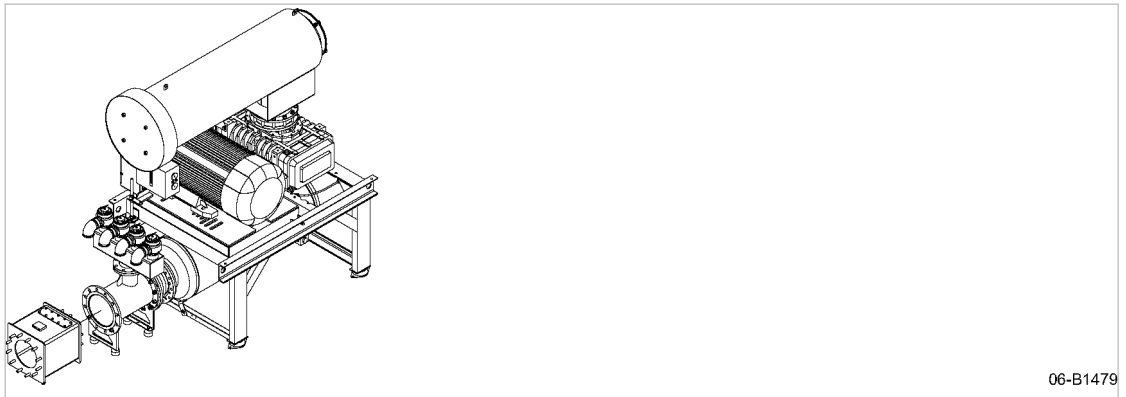


Fig. 27 Installing the check valve

- Install the check valve on the T-piece in accordance with the specified direction of flow. Tighten bolts equally by hand, pretension crosswise with 37 lbf-ft and then fully tighten crosswise with 133 lbf-ft.

6.9.9 Option H2
Installing the auxiliary heater

The auxiliary heater is delivered uninstalled. The radiator, thermostat, and terminal box are already installed on a mounting plate.

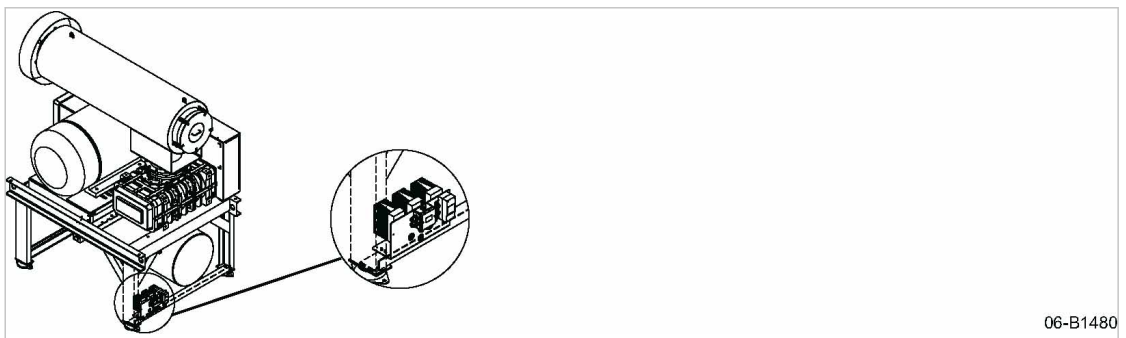


Fig. 28 Installing the auxiliary heater

- Install the auxiliary heater at the base frame of the machine and connect in the terminal box.
- Fit the TN or TT network with a residual current protective device (RCD).
Residual current: 30 mA.

Further information See the connection diagram in chapter 13.5.8.

6.9.10 Option H11

Connecting the inlet pipe

If air is sucked in from the piping, the inlet silencer is connected by using a compensator.

Material Compensator, torque wrench

Precondition The compressed air system is vented completely to atmospheric pressure.

1. Connect to the compressed air network using the following torques:

Connection	Torque [lbf-ft]
Inlet silencer/compensator*	74
Compensator*/customer pipeline	66

* Manually tighten screws equally, pretension crosswise at 37 lbf-ft and subsequently retighten crosswise with torque according to table.

Tab. 33 Inlet compressor torques

2. Separately secure the inlet piping upstream of the compensator.

Further information The dimensional drawing in chapter 13.2 provides information regarding the connection of the pipeline.

6.9.11 Option H12
Sound enclosure

6.9.11.1 Connecting options to measuring points

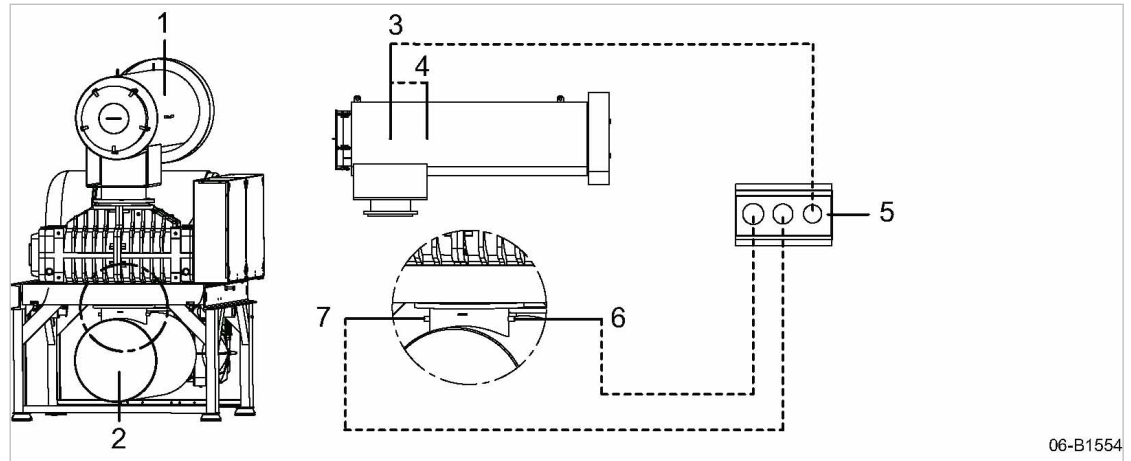


Fig. 29 Sound enclosure: Measuring points, connection diagram

- | | | | |
|---|---|---|---------------------------------------|
| ① | Inlet silencer | ⑤ | Sound enclosure display |
| ② | Outlet silencer | ⑥ | Pressure gauge |
| ③ | Filter maintenance indicator | ⑦ | Temperature gauge switch (Option C13) |
| ④ | Filter pressure differential switch (Option F5) | | |

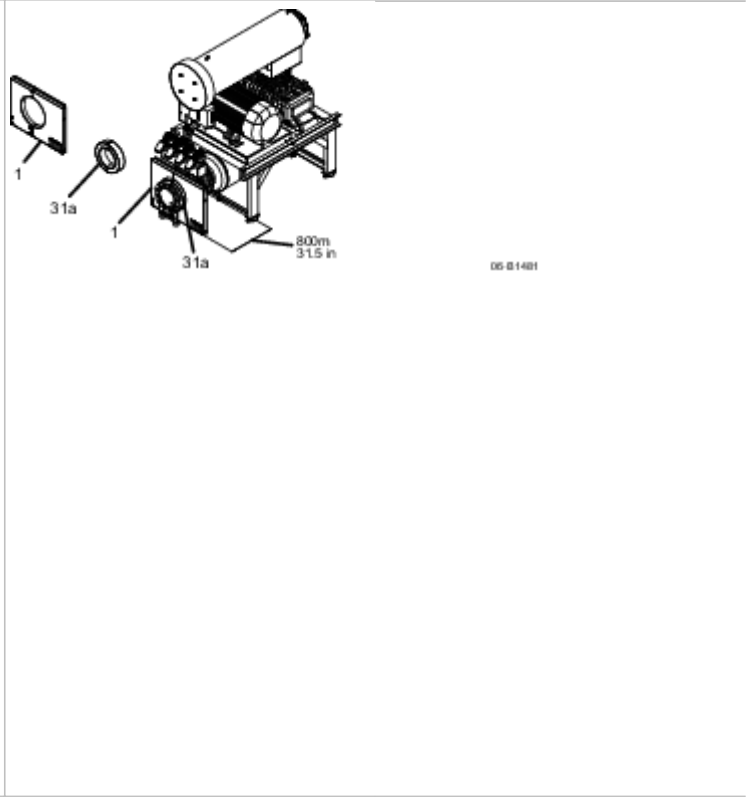
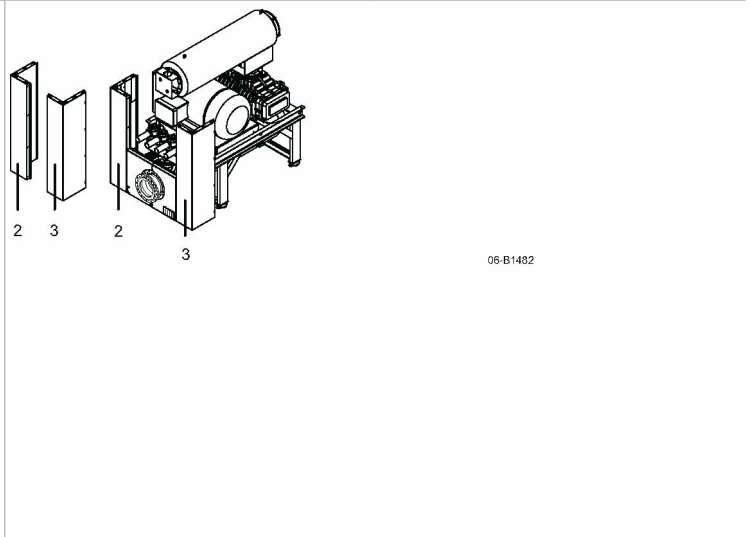
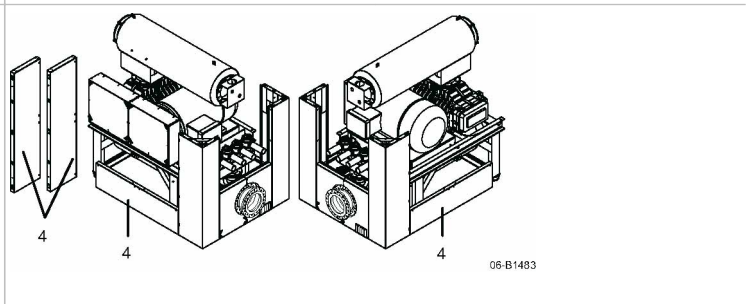
1. Install and connect the filter maintenance indicator ③ and filter pressure differential switch ④ at the inlet silencer ①.
2. Install and connect the temperature gauge switch ⑦ and pressure indicator ⑥ at the outlet silencer ②.

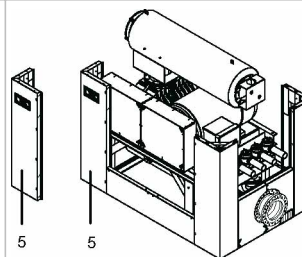
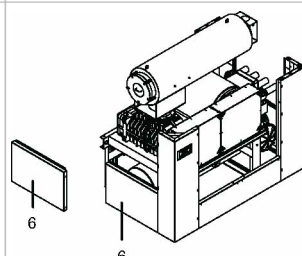
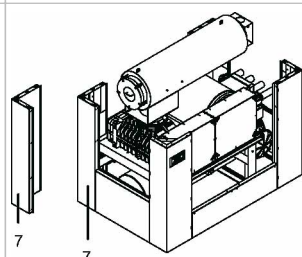
Further information See the connection diagrams for options in chapter 13.5.

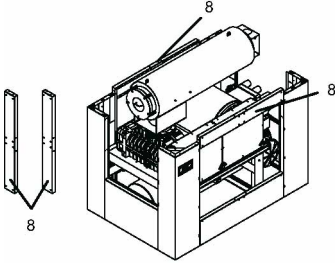
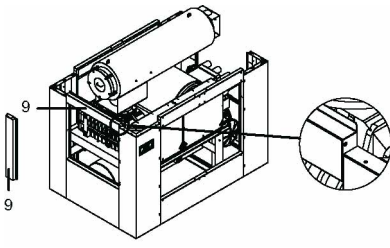
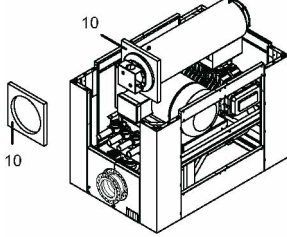
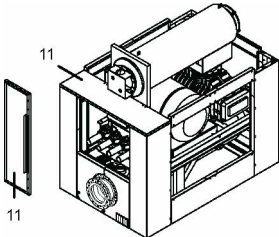
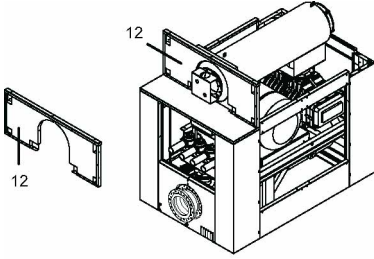
6.9.11.2 Assembling the sound enclosure

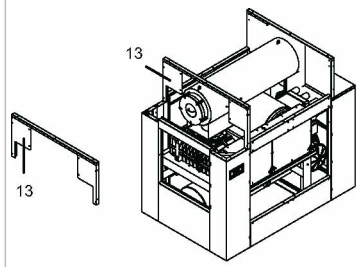
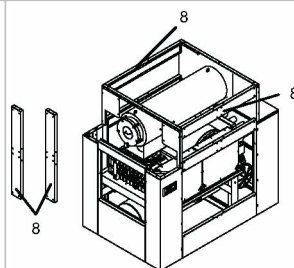
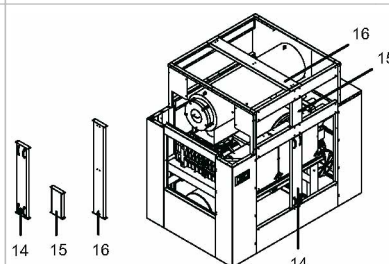
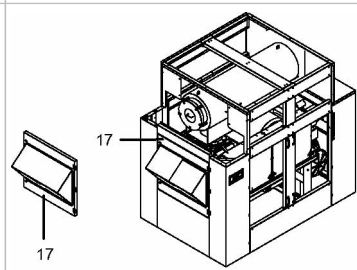
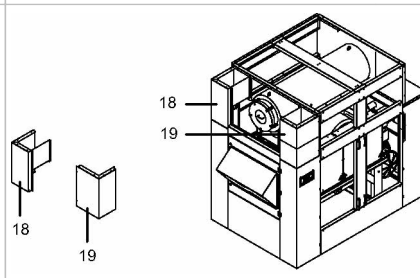


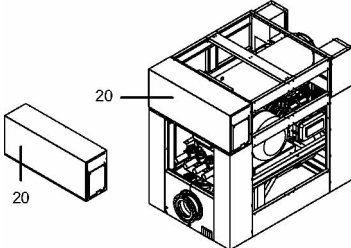
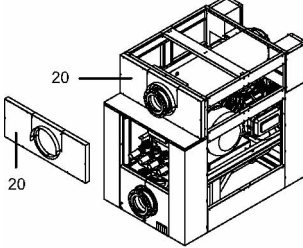
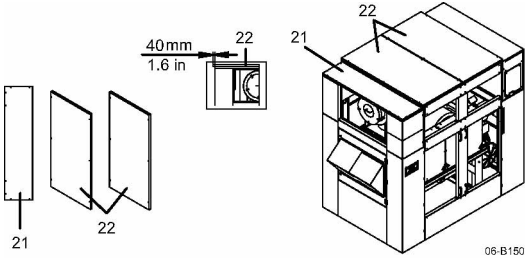
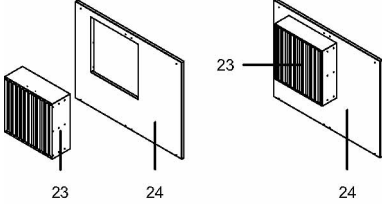
The connection elements are listed at the end of this chapter.

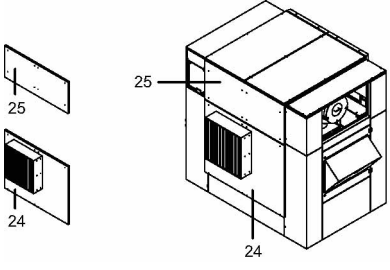
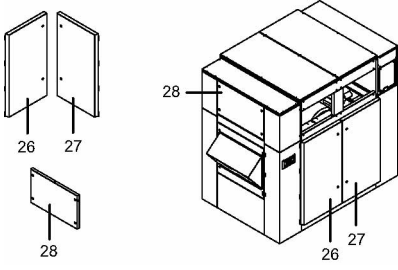
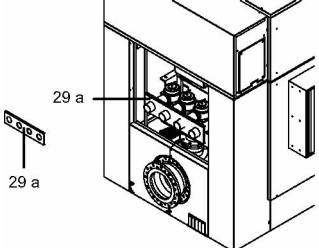
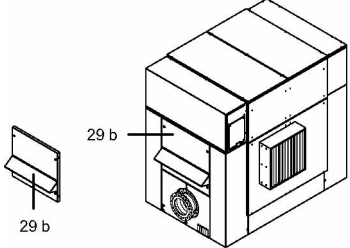
Description	Figure
<p>Discharge port side panel ① HB 1300 PI pr = 831699.0 HB 1600 PI pr = 831705.0 Versions A and B:</p> <ul style="list-style-type: none"> ➤ In order to route the electrical cables for the machine to the outside, remove the cover for the cable feed-through from the discharge port side panel ①. ➤ Install the collar for the flange ③1a = 888783.00010 on the T-piece and then fit the discharge port side panel ①, maintaining the necessary distance. ➤ Align the cut-out for the feed-through of the pressure line centrally. ➤ Note the distance from the outside position ① to the centre of the machine foot. 	
<p>Corner posts ② and ③ = 888442.1</p> <ul style="list-style-type: none"> ➤ Position the corner post with fitted hinge components ② and the corner post without hinge components ③ in such a manner that the square head plugs are standing on the floor. ➤ From the inside, attach the short sides of the corner posts to the discharge port side panel using 4 hex-head bolts ⑤0 each. Do not fully tighten the bolts. 	
<p>Lower side panels ④ = 888452.1</p> <ul style="list-style-type: none"> ➤ From the inside, attach 2 lower side panels ④ to the long sides of the corner posts using 4 hex-head bolts ⑤0 each. Do not fully tighten the bolts. 	

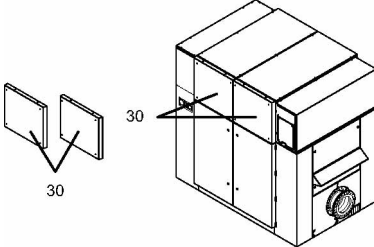
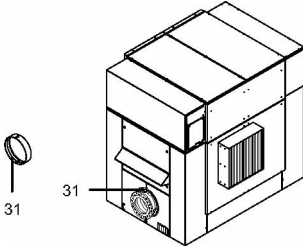
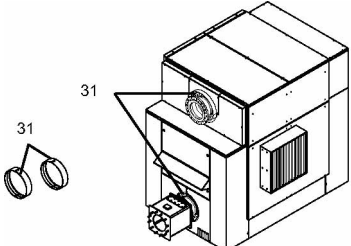
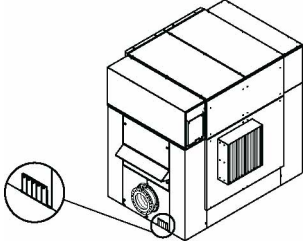
Description	Figure
<p>Instrument corner post (5) = 888448.2</p> <ul style="list-style-type: none"> ➤ Position the instrument corner post with fitted hinge components (5) in such a manner that the square head plugs are standing on the floor. ➤ From the inside, attach the corner posts to the lower side panel via the long sides using 4 hex-head bolts (50) each. Do not fully tighten the bolts. 	 <p style="text-align: right;">06-B1484</p>
<p>Lower block-end side panel (6) = 888475.1</p> <ul style="list-style-type: none"> ➤ From the inside, attach the lower block-end side panel (6) to the short side of the instrument corner post using 4 hex-head bolts (50). Do not fully tighten the bolts. 	 <p style="text-align: right;">06-B1485</p>
<p>Corner post (7) = 888442.1</p> <ul style="list-style-type: none"> ➤ Position the corner post without fitted hinge components (7) in such a manner that the square head plugs are standing on the floor. ➤ From the inside, attach the corner post to the lower block-end side panel via the short side using 4 hex-head bolts (50) and to the lower side panel via the long side using 4 hex-head bolts (50). Do not fully tighten the bolts. 	 <p style="text-align: right;">06-B1486</p>
<ul style="list-style-type: none"> ➤ The corner posts of the sound enclosure can be fixed to the floor with (51a), (51b) and (51c). 	

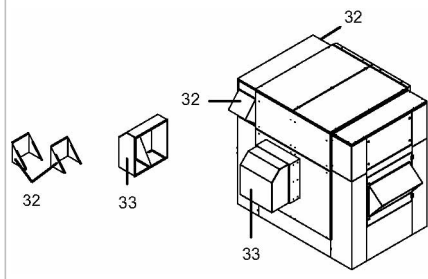
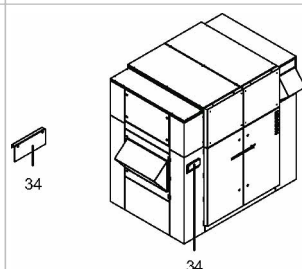
Description	Figure
<p>Upper side panels (8) = 888456.1</p> <ul style="list-style-type: none"> ➤ From the inside, attach 2 upper side panels (8) to the long side of the corner post using 2 hex-head bolts (50) each. Do not fully tighten the bolts. 	 <p style="text-align: right;">06-B1487</p>
<p>Upper block-end side panel (9) = 888479.1</p> <ul style="list-style-type: none"> ➤ From the inside, attach the upper block-end side panel (9) to the short side of the corner post using 2 hex-head bolts (50) each. Do not fully tighten the bolts. 	 <p style="text-align: right;">06-B1488</p>
<p>Pre-cut foam insert (10) = 888873.0</p> <ul style="list-style-type: none"> ➤ Push the pre-cut foam insert (10) onto the jacket for the inlet silencer. 	 <p style="text-align: right;">06-B1489</p>
<p>➤ Align all parts fitted so far and tighten the bolts.</p>	
<p>Intermediate shelf, discharge port side (11) = 888484.1</p> <ul style="list-style-type: none"> ➤ Lay the intermediate shelf on the discharge port side (11) across the top of the corner posts and attach using 8 hex-head bolts (50). 	 <p style="text-align: right;">06-B1490</p>
<p>Partition, inlet side (12) HB 1300 PI pr = 830065.0 HB 1600 PI pr = 830128.0</p> <ul style="list-style-type: none"> ➤ Attach the partition on the inlet side (12) to the intermediate shelf on the discharge port side and the upper side panels using 2 hex-head bolts (50). ➤ Use silicone sealant to paste the pre-cut foam to the partition on the inlet side. 	 <p style="text-align: right;">06-B1491</p>

Description	Figure
<p>Partition, exhaust air side (13) = 830059.0</p> <ul style="list-style-type: none"> ➤ Position the partition for the exhaust air side (13) atop the block-end corner posts and attach to the upper side panels using 2 hex-head bolts (50). 	 <p style="text-align: right;">06-B1492</p>
<p>Upper side panels (8) = 888456.1</p> <ul style="list-style-type: none"> ➤ Fit 2 upper side panels (8) between the partition on the exhaust air side and the partition on the inlet side using 4 hex-head bolts (50) each. 	 <p style="text-align: right;">06-B1493</p>
<p>Door pillar (14) = 888470.1 Upper pillar (15) = 888466.1 Cross strut (16) = 888461.1</p> <ul style="list-style-type: none"> ➤ Fit the door pillar (14), upper pillar (15) and cross strut (16) using 4 hex-head bolts (50) each. 	 <p style="text-align: right;">06-B1494</p>
<p>Side door (17) = 833195.2</p> <ul style="list-style-type: none"> ➤ Fit the side door (17) to the instrument corner post using 6 countersunk screws (52). 	 <p style="text-align: right;">06-B1496</p>
<p>Upper left corner post (18) = 834211.0 Upper right corner post (19) = 834216.0</p> <ul style="list-style-type: none"> ➤ From both the inside and outside, attach the upper left corner post (18) and the upper right corner post (19) to the lower corner posts and the partition on the exhaust air side using 9 hex-head bolts (50) each. 	 <p style="text-align: right;">06-B1497</p>

Description	Figure
<p>Air intake box (20) = 888434.0</p> <ul style="list-style-type: none"> ➤ From the outside, attach the air intake box (20) to the intermediate shelf and the partition on the inlet side using 11 hex-head bolts (53). 	 <p style="text-align: right;">06-B1498</p>
<p>Option H11 (Intake from pipeline)</p> <p>Inlet side panel (20) HB 1300 PI pr = 888780.0 HB 1600 PI pr = 888702.0</p> <ul style="list-style-type: none"> ➤ From the outside, attach the inlet side panel (20) to the intermediate shelf and the partition on the inlet side using 10 hex-head bolts (54). 	 <p style="text-align: right;">06-B1499</p>
<p>Cover, exhaust air side (21) = 888539.1</p> <p>Cover (22) = 888507.1</p> <ul style="list-style-type: none"> ➤ Position the cover for the exhaust air side (21) and 2 further cover panels (22) and attach from the outside using 20 hex-head bolts (53). ➤ Place protective caps (55) over the bolt heads. ➤ To seal the gap between the two cover panels, glue a sealing profile to one of the front edges of the cover. 	 <p style="text-align: right;">06-B1500</p>
<p>Inlet louvre (23) = 884987.0</p> <p>Lower rear panel (24) = 888496.1</p> <ul style="list-style-type: none"> ➤ Push the inlet louvre (23) into the opening on the lower rear panel (24) and attach to the inside angles of the rear panel using 6 hex-head bolts (50). 	 <p style="text-align: right;">06-B1501</p>

Description	Figure
<p>Lower rear panel (24) = 888496.1</p> <p>Upper rear panel (25) = 888503.1</p> <ul style="list-style-type: none"> ➤ From the outside, fit the lower rear panel (24) and the upper rear panel (25) using 16 hex-head bolts (53). ➤ Place protective caps (55) over the bolt heads. 	 <p>06-B1502</p>
<ul style="list-style-type: none"> ➤ For connecting the fans, see chapter 6.9.11.3. ➤ Feed the electrical cables through the cable bushing in the discharge port side panel. 	
<p>Left-hand door (26) = 888515.1</p> <p>Right-hand door (27) = 888519.1</p> <p>Filter service flap (28) = 888543.1</p> <ul style="list-style-type: none"> ➤ Fit 4 left hinges (26) to the left-hand door (57). ➤ Fit 4 right hinges (27) to the right-hand door (57). ➤ Install both doors and the filter service flap (28). 	 <p>06-B1503</p>
<p>Valve sealing plate (29a) = 830014.0</p> <ul style="list-style-type: none"> ➤ Slide the sealing plate (29a) over the valve blow-off pipes and secure. 	 <p>06-B1504</p>
<p>Valve removable access panel (29b)</p> <p>HB 1300 PI pr = 830009.1</p> <p>HB 1600 PI pr = 831693.1</p> <ul style="list-style-type: none"> ➤ Install the removable access panel (29b). 	 <p>06-B1505</p>

Description	Figure
<p>Upper front panels (30) = 888510.1</p> <ul style="list-style-type: none"> ➤ Attach 2 upper front panels (30) to the upper side panels using 4 hex-head bolts (54) each. ➤ Place protective caps (55) over the bolt heads. 	 <p style="text-align: right;">06-B1506</p>
<p>Version A: DN 300 flange collar (31) = 888783.0</p> <ul style="list-style-type: none"> ➤ Install the DN 300 flange collar (31) on the discharge port side panel. <p>Versions B and C: collar pre-fitted.</p>	 <p style="text-align: right;">06-B1507</p>
<p>Option H11 (Intake from pipeline)</p> <p>Version A: DN 300 flange collar (31) = 888783.0</p> <ul style="list-style-type: none"> ➤ Install one DN 300 flange collar (31) on both the discharge port side panel and inlet side panel. <p>Versions B and C: collar pre-fitted.</p>	 <p style="text-align: right;">06-B1508</p>
<ul style="list-style-type: none"> ➤ If not yet done, install the cover for the cable feed-through on the discharge port side panel. 	 <p style="text-align: right;">06-B1509</p>

Description	Figure
<p>Option H3 (Outdoor installation) Weather protection cover, air intake box (32) = 830321.0 Intake deflector box (33) = 886026.1</p> <ul style="list-style-type: none"> ➤ Install 2 x weather protection covers (32) on the air intake box using 4 hex-head bolts (54) each. ➤ Attach the intake deflector box (33) to the inlet louvre using 4 hex-head bolts (54). ➤ Seal all external gaps with silicone. 	 <p style="text-align: right;">06-B1510</p>
<p>Instrument weather protection (34) = 831469.0</p> <ul style="list-style-type: none"> ➤ Install the weather protection for the instruments (34) on the instrument corner post using blind rivet nuts and hex-head bolts. 	 <p style="text-align: right;">06-B1518</p>

Tab. 34 Sound enclosure assembly (Option H12)

Connection elements

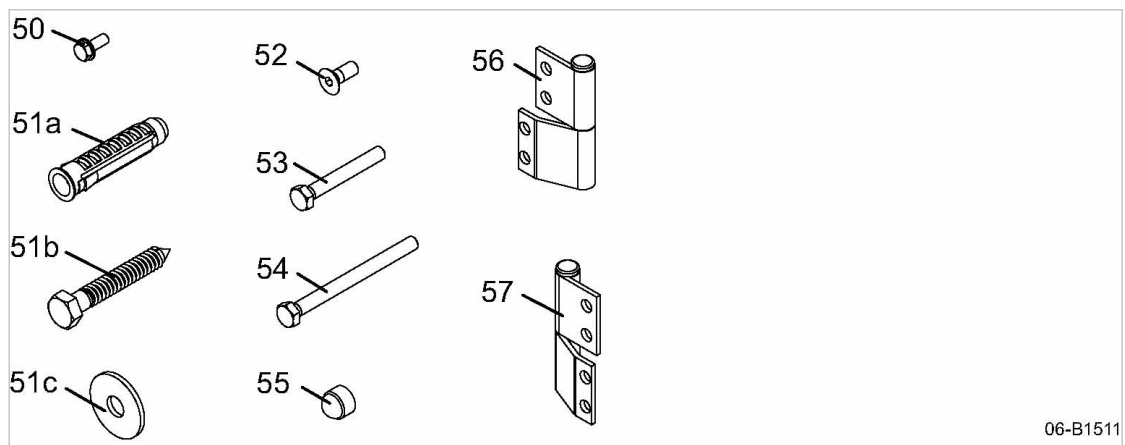


Fig. 30 Connection elements, sound enclosure

- | | |
|---|--------------------------------------|
| (50) Hex-head bolt, M6x16 stainless | (53) Hex-head bolt, M8x60 stainless |
| (51a) Plastic dowel SX16 | (54) Hex-head bolt, M8x100 stainless |
| (51b) Hex-head wood screw, galvanised 12x80 | (55) Hex-head protective cap |
| (51c) Washer, galvanised 12 | (56) Hinge, left |
| (52) Countersunk screw, M8x20 stainless | (57) Hinge, right |

- In case of questions, please contact an authorised KAESER SERVICE technician.

6.9.11.3 Connecting the ventilator fan

The fan motor has a terminal box for direct supply connection.

The drive motor and the fan must run simultaneously.

Ensure correct direction of rotation when connecting the fan. The fan must blow air out of the sound enclosure.

The fan should run on for approximately 15 minutes after machine shut down to avoid temperature peaks inside the sound enclosure.

Precondition The power supply is switched off,
The device is locked off,
A check has been made that no voltage is present.

1. Select sufficient cable length.
2. Connect cables to the terminal box without mechanical stress.
3. Connect the protective ground.

Further information See electrical diagram in chapter 13.5.9.

6.10 Establishing a compressed air connection

Material Torque wrench

Precondition The machine is installed and ready for operation.
The compressed air network is fully vented.

⚠ WARNING

Serious injury can result from loosening or opening components under pressure!

- Fully vent all pressurized components and enclosures.



A check valve must be installed on systems in which some gauge pressure remains after the machine has been shut down, in order to permit an unloaded start of the machine.

- Consult KAESER regarding a suitable check valve and the correct manner of installation.
1. Use an elastic connector to establish the compressed air connection to the piping system or consumer and install in accordance with the torques specified below:

Connection to user-end piping	Tightening torque [lbf-ft]
T-piece with hose clamp	—
T-piece with screw connection M20*	66
Check valve (Option G1)	133

* Tighten bolts equally by hand, pretension crosswise with 37 lbf-ft and then fully tighten crosswise using tightening torque as per the table.

Tab. 35 Torques for user-end piping

2. Support the weight of the pipework and any other connection assemblies.

7 Initial Start-up

7.1 Ensuring safety

This chapter provides instructions for safe commissioning of the machine. Warning instructions are provided prior to any potentially dangerous task.



Disregard of warning instructions can result in life-threatening injuries!

Observe safety instructions

Ignoring safety instructions can result in unforeseen dangers.

- Follow the instructions in chapter 3 “Safety and Responsibility”.
- Commissioning tasks may only be carried out by authorized installation personnel!
- Ensure that no personnel are working on the machine.
- Ensure that all cover panels are closed.

Working on live components

Touching live components can result in electric shocks, burns or death.

- Work on electrical equipment may only be carried out by authorized and certified electricians.
- Switch off the power supply disconnecting device, lock out / tag out the device, verify the absence of all voltage.
- Check that any floating contacts are free from voltage.

Working on the pressure system

Compressed air is stored energy. Uncontrolled release of this energy can cause serious injury or death. The following safety instructions relate to any work on components that might be pressurised.

- Switch off the power supply disconnecting device, lock out / tag out the device, verify the absence of all voltage.
- Close shut-off valves or otherwise isolate the machine from the compressed air network so as to ensure that no compressed air can flow back into the machine.
- Fully vent all pressurized components and enclosures.
- Do not open or dismantle any valves.

Working on the drive system

Touching live components can result in electric shocks, burns or death.

Touching the fan wheel or the belt drive while the machine is running can result in serious injury.

- Switch off the power supply disconnecting device, lock out / tag out against being switched on again, verify the absence of all voltage.

- Do not open any of the cover panels while the machine is switched on.
- If full protection is only provided when the machine is completely installed, then in all other phases of the machine's life-cycle temporary protective devices (e.g. covers) must be fitted, in order to guarantee that parts of the body cannot reach or be caught/sucked in by the rotary lobes.

Further information Information regarding authorized personnel can be found in chapter 3.4.2.
 Information regarding dangers and the avoidance thereof can be found in chapter 3.5.

7.2 Instructions to be observed before commissioning

Incorrect or improper commissioning can cause injury to persons and damage to the machine.

- Commissioning may be carried out only by authorized installation and service personnel who have been trained on this machine.

Special measures for recommissioning after storage/standstill

Storage period/ standstill longer than	Measure
12 months	<ul style="list-style-type: none"> ➤ Change the lubricating oil. ➤ Re-grease the drive motor bearings if they are not of the permanently-greased type. ➤ Check the condition and tension of the drive belts. ➤ Have the frequency converter smoothing capacitors formed (refreshed) by an authorized KAESER service representative.
36 months	<ul style="list-style-type: none"> ➤ Have the overall technical condition checked by an authorized KAESER service representative.

Tab. 36 Recommissioning after storage/standstill

7.3 Checking installation and operating conditions

- Check and confirm all the items in the checklist before initially starting the machine.

To be checked	See chapter	Confirmed?
➤ Have all packing materials, tool and transport securing means been removed from the machine?	–	
➤ Are the operators completely familiar with safety regulations?	–	
➤ Have all the positioning conditions been complied with?	5	
➤ Has the automatic machine shut-down by the user's safety devices in the event of a fault been realized?	6.8	
➤ Are the power supply cable conductor cross-sections and fuse ratings adequate?	–	
➤ Are the tolerance limits of the power supply within the permissible tolerance limits of the rated voltage?	–	

7 Initial Start-up

7.4 Checking the direction of rotation for the drive motor

To be checked	See chapter	Confirmed?
➤ Has the drive motor connection been checked?	6.5	
➤ Has the fan connection (sound enclosure) been checked? (Option H12)	6.9.11.3	
➤ Has the direction of rotation of drive motor and fan (sound enclosure) been checked?	7.4	
➤ All electrical connections checked for tightness? (The check must be repeated after 50 operating hours)	–	
➤ Is there adequate lubricating oil in the drive-end and gear-end of the block? (Level in the center of the sight glass)	10.5	
➤ Suitable non-return valve installed professionally?	6.10	
➤ Has the connection to the compressed air network been made with a flexible hose or compensator?	6.10	
➤ Has the drive belt tension been checked? (The check must be repeated after 24 operating hours)	10.4	
➤ Is the machine anchored to the floor without stress?	6.3	
➤ Are the access doors and panels of the sound enclosure inserted and latched? (Option H12)	–	

Tab. 37 Installation conditions checklist

7.4 Checking the direction of rotation for the drive motor

The machine is designed for a clockwise phase sequence.

If the direction of rotation is incorrect, the flow direction will be reversed and air drawn in from the compressed air line.

An arrow indicating the direction of rotation is located at the drive-end of the block and at the belt guard.

Material Phase sequence indicator

NOTICE

Incorrect direction of rotation!

This may result in damage to the machine from intake of foreign articles or excessive vacuum.

➤ *Ensure the correct direction of rotation.*

1. Remove the filter maintenance cover from the inlet silencer or inlet filter and/or remove the check valve on the inlet side.
2. Verify the direction of rotation using a phase sequence indicator on the machine supply lines.
3. If the direction of rotation is incorrect, exchange phases L1 and L2 of the supply lines.



If you do not have access to a phase sequence indicator:

➤ Arrange for the phase sequence to be checked by an authorized KAESER service representative.

7.4.1 Option H12 Fan (sound enclosure)

An arrow is also to be found on the fan to indicate its correct direction of rotation.

The fan must blow air out of the sound enclosure.

- **Single-phase fan:** If the direction of rotation is incorrect, switch the electric connection in the terminal box of the fan. Instructions regarding "Right" and "Left" operation are provided in the cover of the terminal box.
- **Three-phase fan:** If the direction of rotation is incorrect, interchange phases L1 and L2 of the supply line(s).

8 Operation

8.1 Switching on and off

Switching on and off follows, to a large extent, the procedure established for the equipment provided for this. The equipment is provided by the user and not part of the scope of supply of the machine unless ordered as an option.



Information on the function of the user's control cabinet should be taken from the cabinet manufacturer's documentation.

8.1.1 Switching on

- Make sure the machine is technically sound before switching on.
If the machine has a sound enclosure, a check must be made that the fan is fully functional.
- Switch the machine on only when it is fully stopped.



Maximum permissible number of motor starts per hour: 6 times
Option C32, For frequency control.
Maximum permissible number of motor starts per hour: any

Precondition A suitable unloaded start device is installed in case of back-pressure.
Make sure that no one is working on the machine.

1. **⚠ WARNING** *Serious injury may be caused by compressed air!*
 - *Make sure that no one is working on the machine.*
2. Switch machine on at the user's control cabinet or
Option C32, For frequency control: Switch the machine on at the frequency converter.

8.1.2 Switching off

- Switch machine off at the user's control cabinet or
Option C32, For frequency control: Switch the machine off at the frequency converter.

8.2 Switching off in an emergency

The machine is not equipped with an emergency stop device. Such a device must be provided by the user unless it is part of an ordered option.

- Ensure the machine can be stopped immediately in an emergency.

8.3 Option H12**Checking the ventilator fan function (sound enclosure)****NOTICE**

Overheating inside the sound enclosure!

A standstill of the ventilator can result in a breakdown of the blower block or other components.

- *If the ventilator stops, immediately provide an alternative flow of cooling air through the sound enclosure.*

- Check that air is actually being blown out of the enclosure cooling air outlet, e.g. by holding a sheet of paper in front of the outlet.

Further information KAESER SERVICE will advise on suitable measures.

9 Fault Recognition and Rectification

9.1 Basic instructions

The following tables are intended to assist in locating faults.

1. Do not attempt fault rectification measures other than those given in this manual!
2. In all other cases:
Have the fault rectified by an authorized KAESER service representative.

9.2 Faults

Fault	Possible cause	Remedy
Unusual noise when running.	Too much backlash in the timing gears.	Call an authorized KAESER service representative.
	Too much play in the rotor bearings.	Call an authorized KAESER service representative.
	Rotors not synchronized.	Keep the pressure differential and speed as specified. Call an authorized KAESER service representative.
Blower block runs too hot.	Pressure differential too great.	Check and correct pressure differential.
	Clogged inlet filter reducing air intake volume.	Clean the inlet filter.
	Rotor clearance too large.	Call an authorized KAESER service representative.
	Leakage due to incorrect installation of pressure-bearing components.	Call an authorized KAESER service representative.
Oil leaks from the gas drain.	Oil level too high.	Drain off oil until the correct level is reached.
Oil leaking from around the drive shaft.	Shaft seal defective.	Call an authorized KAESER service representative.
Reduced air inlet flow.	Rotor clearance too large because of wear.	Call an authorized KAESER service representative.
	Intake resistance too high.	Clean the inlet filter.

Fault	Possible cause	Remedy
Black film on the oil sight glasses.	Oil not changed at the correct interval.	Change the lubricating oil. Clean or replace the sight glass.
	Insufficient oil.	Change the lubricating oil. Clean or replace the sight glass.
	Oil overheated.	Call an authorized KAESER service representative.
	Block overloaded.	Call an authorized KAESER service representative.
Water in the oil.	Condensate build-up by prolonged storage and high humidity.	Change the lubricating oil.
Safety relief valve activates.	Inappropriate operating state, operating pressure too high.	Bring the machine to a permissible operational state or shut down.
PTC relay trips out.	Operating pressure too high.	Check and correct pressure differential.

Tab. 38 Faults and remedies

9.3 Options

This section provides remedies for technical faults concerning the machine's optional equipment.

9.3.1 Option H12 Sound enclosure faults

Alarm	Possible cause	Remedy
Overheating inside the sound enclosure!	Fan defective or turning in the wrong direction.	Check connection. Contact an authorized KAESER service representative.
	Flow of cooling air blocked.	Check and clean cooling air apertures. Check the cooling air inlet temperature.
	Drive motor overloaded.	Check operating conditions.
	Leakage due to incorrect installation of pressure-bearing components.	Contact an authorized KAESER service representative.

Tab. 39 Faults and remedies (option H12)

9.3.2 Option C14
Faulty pressure sensor

Fault	Possible cause	Remedy
No output signal.	No power supply, broken wire.	Check power supply and wires.
	Pressure transducer incorrectly connected.	Check power supply and wires.
	No input pressure.	Check pressure feed.
	Electronic defect from power supply voltage surge or external voltage.	Call an authorized KAESER service representative.
Output signal does not respond to pressure changes.	Input channel blocked.	Clean the input channel and throttle screw, being careful not to damage the delicate diaphragm.
	Electronic defect from power supply voltage surge or external voltage.	Call an authorized KAESER service representative.
	Pressure transducer defective from mechanical overloading.	Call an authorized KAESER service representative.
Output signal too high and not responding to pressure changes.	Electronic defect from power supply voltage surge or external voltage.	Call an authorized KAESER service representative.

Tab. 40 Faults and remedies (Option C14)

10 Maintenance

10.1 Ensuring safety

Follow the safety instructions below to ensure safe maintenance of the machine.

Warning instructions are provided prior to any potentially dangerous task.



Disregard of warning instructions can result in life-threatening injuries!

Observe safety instructions

Ignoring safety instructions can result in unforeseen dangers.

- Follow the instructions in chapter 3 “Safety and Responsibility”.
- Maintenance work must be performed by authorized personnel only.
- Ensure that no personnel are working on the machine.
- Ensure that all cover panels are closed.

Working on live components

Touching live components can result in electric shocks, burns or death.

- Work on electrical equipment may only be carried out by authorized and certified electricians.
- Switch off the power supply disconnecting device, lock out / tag out the device, verify the absence of all voltage.
- Check that any floating contacts are free from voltage.

Working on the pressure system

Compressed air is stored energy. Uncontrolled release of this energy can cause serious injury or death. The following safety instructions relate to any work on components that might be pressurized.

- Switch off the power supply disconnecting device, lock out / tag out the device, verify the absence of all voltage.
- Close shut-off valves or otherwise isolate the machine from the compressed air network so as to ensure that no compressed air can flow back into the machine.
- Fully vent all pressurized components and enclosures.
- Do not open or dismantle any valves.

Working on the drive system

Touching live components can result in electric shocks, burns or death.

Touching the fan wheel or the belt drive while the machine is running can result in serious injury.

- Switch off the power supply disconnecting device, lock out / tag out the device, verify the absence of all voltage.

- Do not open any of the cover panels while the machine is switched on.
- If full protection is only provided when the machine is completely installed, then in all other phases of the machine's life-cycle temporary protective devices (e.g. covers) must be fitted, in order to guarantee that parts of the body cannot reach or be caught/sucked in by the rotary lobes.

Further information Information regarding authorized personnel can be found in chapter 3.4.2.
Information regarding dangers and the avoidance thereof can be found in chapter 3.5.

10.2 Maintenance schedule

10.2.1 Logging maintenance work



- The maintenance intervals given are those recommended for average operating conditions.
- Maintenance tasks should be carried out more frequently where operating conditions are unfavorable (e.g. dusty ambient) or when the equipment is in constant use.
 - Adjust the maintenance intervals with regard to local installation and operating conditions.
- Keep a log of all maintenance and service work.
This enables the frequency of individual maintenance tasks and deviations from our recommendations to be determined.

Further information A prepared log is provided in chapter 10.12.

10.2.2 Regular maintenance tasks

The table below lists the required maintenance tasks.



- If operating conditions are unfavorable (e.g. dusty ambient) or if the equipment is in constant use, maintenance tasks must be carried out more frequently (shorter intervals).
- Carry out maintenance tasks in a timely manner, taking the ambient and operating conditions into consideration:

Interval	Maintenance task	See chapter
24 hours after initial commissioning	Check drive belt tension.	10.4
50 hours after initial commissioning	Check that all electrical connections are secure and properly attach if necessary.	–
500 hours after initial commissioning*	Change the lubricating oil.	10.7
Up to 500 h Or monthly	Check the oil level.	10.5
	Check drive belt tension.	10.4
	Check the air filter.	10.8
Up to 1000 h	Clean the machine.	10.9

h = operating hours

* Not applicable in the case of initial commissioning by an authorized KAESER service representative.

Interval	Maintenance task	See chapter
Up to 2000 h, At least once a year	Drive motor bearings with re-greasing facility: Re-grease the motor bearings.	10.10.1
Up to 3000 h At least once a year	Change the FGB 220 lubricating oil.	10.7
Up to 3000 h, At least once a year	Change the air filter.	10.8
Annually	Check the safety relief valve.	10.11
	Check that all electrical connections are secure and attach if necessary.	–
Up to 6000 h, At least every 2 years	Change the SB 220 lubricating oil.	10.7
After 2 years	Check the silicone seals on the outside of the sound enclosure for leaks and repair or replace as necessary. (Option H12)	–
Up to 12000 h, At least every 4 years	Replace the drive belt.	10.4

h = operating hours

* Not applicable in the case of initial commissioning by an authorized KAESER service representative.

Tab. 41 Regular maintenance tasks

10.2.3 Regular service tasks

The table below lists service tasks required.

- Only an authorized KAESER service representative should carry out service work.
- Have service tasks carried out punctually, taking the ambient and operating conditions into account:

Interval	Service task
Up to 36000 h	Drive motor bearings with re-greasing fittings: Re-grease the motor bearings.
	(Option H12) Sound enclosure: Replace the fan.
	(Option C11) Maintain the unloaded start valve.
Up to 36000 h, At least every 8 years	(Option G1) Maintain the check valve.
	Replace the compensators.

h = operating hours

Tab. 42 Regular service tasks

10.3 Option H12 Sound enclosure

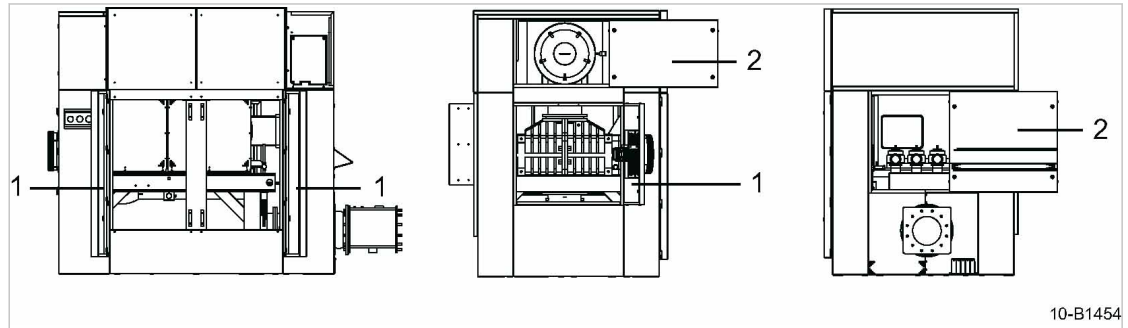


Fig. 31 Sound enclosure

- ① Access door
- ② Removable maintenance panel

- Open maintenance door(s) ① for maintenance tasks.
- If necessary, remove the maintenance panel(s) ②.
Latches are released by a key supplied with the machine.

10.4 Drive belt maintenance

Material Spare part (if required)

Precondition The power supply disconnecting device is switched off, lock out and tag out the device, the absence of any voltage has been verified.
The machine has cooled down.

⚠ WARNING

Touching the moving drive belt may result in severe bruising or even loss of limbs or extremities!

- Switch off and lock out/tag out the power supply disconnecting device and verify that no voltage is present.

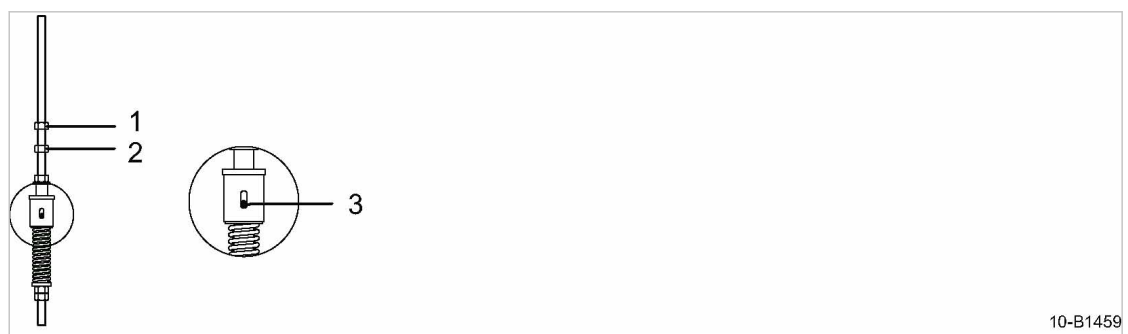


Fig. 32 Drive belt maintenance

- ① Adjusting nut
- ② Locking nut
- ③ Marker pin (shown as: belt tensioning required)

Checking belt tension and adjustment

The tensioning device uses spring force to automatically adjust the tension to the belt. Adjust the tension before the marker pin reaches the **bottom** end of the elongated hole.

1. Loosen the locking nut ②.
2. Use the adjusting nut ① to adjust the drive belt tension until the marker pin reaches the upper end of the elongated hole.
3. Tighten the locking nut ②.

Visually check for damages

1. **⚠ CAUTION** *Danger of pinching between belt and V-belt pulleys!*
 - *Work with caution.*
2. Turn the drive belt by hand at the pulley and inspect the entire belt for damage.
3. In case of damage: Replace the drive belt immediately.



When individual V-belts fail in multiple-groove drives, all belts must be replaced.

Changing the drive belt

1. Remove the belt guard.
2. Loosen the locking nut ②.
3. Turn the adjusting nut ① to loosen the tension on the drive belt until it can be removed from the pulley.
4. Install the new drive belt over the pulleys and use the adjusting nut ① to adjust the tension until the marker pin reaches the lower end of the elongated hole.
5. Tighten the locking nut ②.
6. Attach the belt guard.
7. Retighten for the first time after the new drive belt has been in operation for 50 hours.

10.5 Checking the oil level

The true oil level can be seen in the oil sight glass only when the machine is stopped.



The gear-end and drive-end oil chambers are not connected.

⚠ WARNING

Danger of burns from hot components!

- *Wear long-sleeved clothing and protective gloves.*

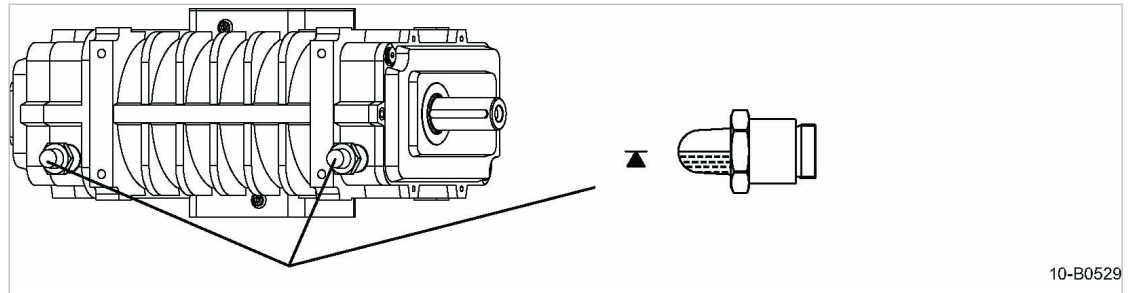


Fig. 33 Checking the oil level

1. Check the oil level in the sight glasses on both ends of the block.
2. Replenish as soon as the level falls 0.3 in. below the center of the sight glass.

10.6 Replenishing lubricating oil

Labels giving the oil type for topping off are to be found on the blower block and belt guard.



The machine must be isolated from the compressed air network and completely vented before undertaking any work on the pressure system.

Precondition The power supply disconnecting device is switched off, the disconnecting device is locked in the off position, the oil level has settled.

⚠ WARNING

Danger of burns from hot components and oil!

- *Wear long-sleeved clothing and protective gloves.*

NOTICE

Unsuitable oil can damage the block!

- *Never mix different types of oil.*
- *Never top off with a different type of oil to that already used in the block.*

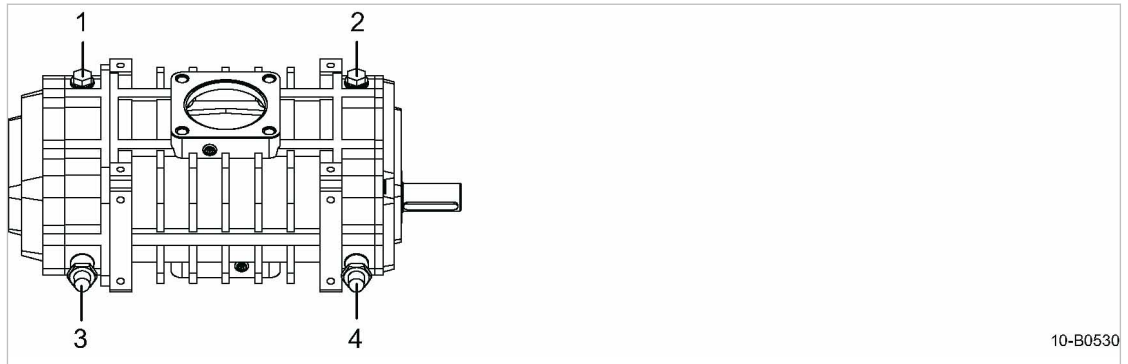


Fig. 34 Replenishing lubricating oil

- | | |
|--|--|
| <p>① Plug
(gear-end oil filling port)</p> <p>② Plug
(drive-end oil filling port)</p> | <p>③ Gear-end oil sight glass</p> <p>④ Drive-end oil sight glass</p> |
|--|--|

1. Slowly remove the plug ① and/or ②.
2. Top off until the level is at the marking on the sight glass ③ and/or ④.
3. Screw in the plugs.
4. Visually check for leaks.

10.7 Changing the oil



The machine must be isolated from the compressed air network and completely vented before undertaking any work on the pressure system.

The oil should be changed with the block temperature at 130°F to ensure the oil flows freely.

Drain the oil thoroughly from the blower block:

- Gear-end
- Drive-end

Material Lubricating oil
Oil receptacle

Precondition The power supply disconnecting device is switched off,
The device is locked off,
A check has been made that no voltage is present.

⚠ WARNING

Danger of burns from hot components and oil!

- *Wear long-sleeved clothing and protective gloves.*

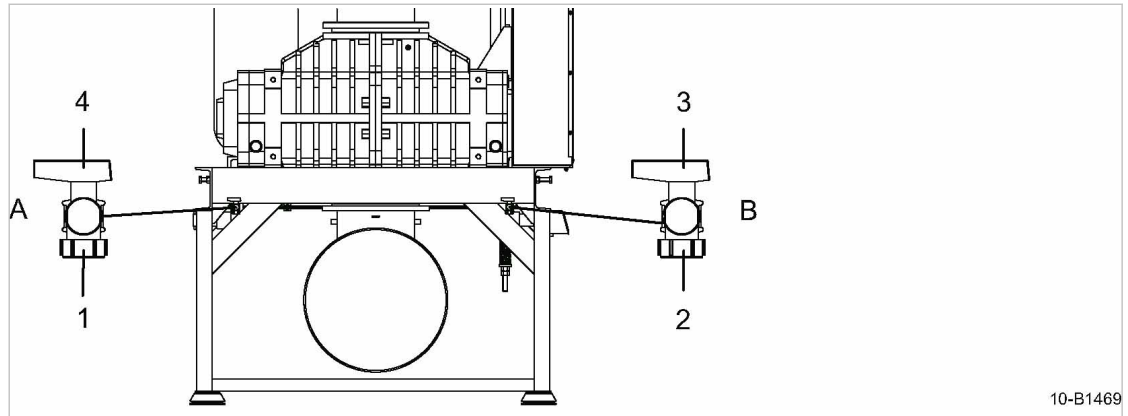


Fig. 35 Changing the oil

- | | | | |
|-----|-----------|-----|---------------|
| (A) | Gear-end | (2) | Cap |
| (B) | Drive-end | (3) | Oil drain tap |
| (1) | Cap | (4) | Oil drain tap |

Drain the oil

1. Have an oil receptacle ready.
2. Open the oil filler plugs at the oil inlet of the blower block (1) and (2) (Fig. 34).
3. Take off the caps (1) and (2) and open the oil drain taps (3) and (4).
4. Drain the lubricating oil.



Dispose of the old oil in accordance with local environmental protection regulations.

Filling with fresh oil

1. Fill with fresh oil.
2. Allow the oil drain taps to remain open until fresh oil begins to run out (bleeding the oil drain lines).
3. Close the oil drain taps (3) and (4).
4. Check the oil level in both sight glasses (Fig. 34) and top off as necessary.
5. Screw on the caps (1) and (2).
6. Replace and tighten the plugs of the oil inlets at the blower block.
7. Visually check for leaks.

10.8 Air filter maintenance

The air filter protects the supplied pressure system from dirt entering.

NOTICE

*Machine damage caused by unsuitable air filter!
The use of an unsuitable air filter can permit dirt to enter the pressure system and cause damage to the machine.*

➤ *Use a suitable air filter.*



The air filter cannot be cleaned.

10.8.1 Filter maintenance indicator

The maintenance indicator shows when the filter needs maintenance. When the filter becomes clogged and flow resistance rises to a set point, the maintenance signal is given.

Machine without sound enclosure

The filter maintenance indicator is installed at the intake silencer.

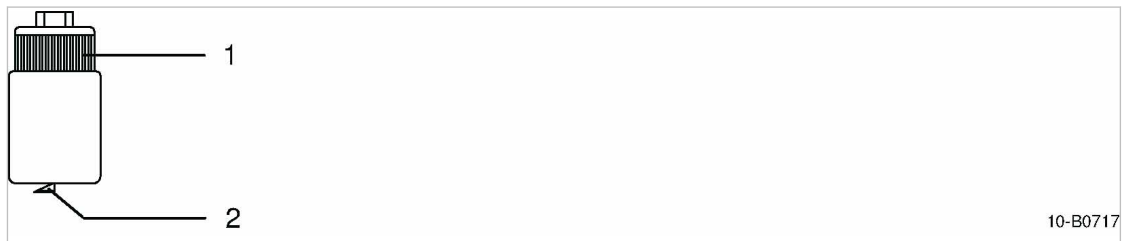


Fig. 36 Filter maintenance indicator (machine without sound enclosure)

- ① Signal ring
- ② Reset button

1. Change the air filter when the signal ring ① shows red.
2. Unlatch the signal ring by pressing the reset button ②.

Option H12 Machine with sound enclosure

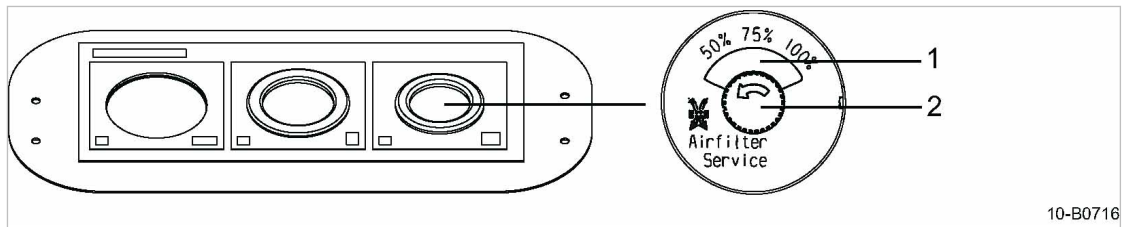


Fig. 37 Filter maintenance indicator (machine with sound enclosure)

- ① Indicator range
- ② Reset button

1. Replace the filter when the maintenance indicator reads more than 50%.
2. Reset to the indication range ① by pressing the reset button ②.

10.8.2 Option F5 Filter pressure differential switch

The filter pressure differential switch monitors contamination of the intake filter.

The switch is triggered by pressure differential. Falling below or rising above the set value causes the current flow to switch on, switch off or changeover according to how the switch is wired.

- Change the air filter if the pressure differential switch activates.

10.8.3 Changing the air filter



The machine must be isolated from the compressed air network and completely vented before undertaking any work on the pressure system.

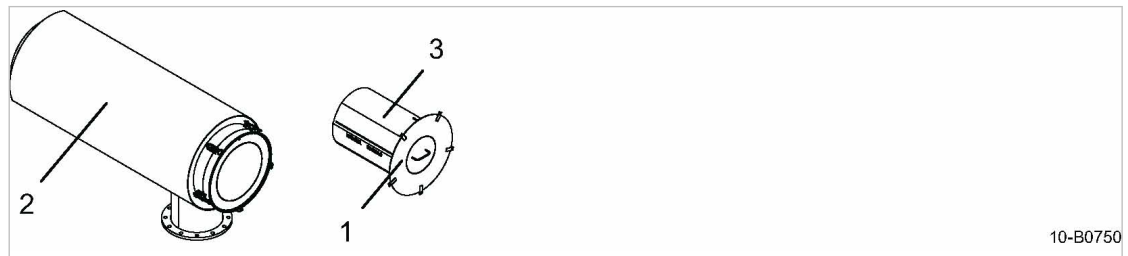
Material Spare parts

Precondition The power supply disconnecting device is switched off, the device is locked off, the absence of any voltage has been verified.

⚠ WARNING

Danger of burns from hot components!

➤ *Wear long-sleeved clothing and protective gloves.*



10-B0750

Fig. 38 Changing the air filter

- ① Cover
- ② Inlet silencer
- ③ Air filter


1. Open the snap fastener on the inlet silencer cover ②.
2. Remove off the cover ①.
3. Loosen the Velcro strip and remove the air filter ③.
4. Clean all parts and sealing surfaces.
5. Place the new filter around the perforated inlet port and secure with the Velcro strip.
6. Attach the cover to the inlet silencer.

10.9 Machine cleaning

Regularly clean the machine. This ensures reliable cooling of the machine. The frequency is mainly dependent on local operating conditions.



Clogged machines are indicative of unfavorable ambient conditions. Such ambient conditions clog the cooling air ducts in the machine's interior and the motors resulting in increased wear and tear.

- Material Brush and/or compressed air
Protective gloves
Face mask and safety goggles (if required)
Vacuum cleaner
- Precondition The power supply disconnecting device is switched off,
the device is locked off,
the absence of any voltage has been verified.
The machine has cooled down.
1. Open the sound enclosure (Option H12).
Dismantle panels in order to clean the cooling air ducts of the drive motor.
 2. Dry brush the machine or blow off with compressed air.
 3. Vacuum off dirt.
 4. Close sound enclosure (Option H12).
Replace and lock panels.
-  The machine cannot be cleaned?
➤ Have severe clogging removed by an authorized KAESER service representative.

10.10 Motor maintenance

Motor maintenance depends on the type of motor.

- Material Grease gun with bearing grease UNIREX N3
Cleaning cloth

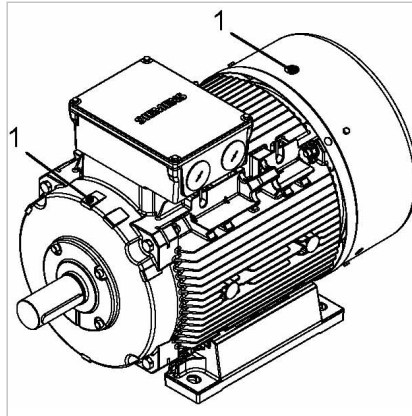
10.10.1 Drive motor bearings with re-greasing facility

The motor bearings are fitted with grease fittings.



- Use only the high temperature grease UNIREX N3 for the motor bearings. Damage to bearings caused by the use of other brands of grease is excluded from the warranty.
The required quantity of grease is stated on the motor maintenance plate.

- Precondition The motor is running.
1. **▲ WARNING** *Noise during machine operation (without sound enclosure) or noise due to opened service access of the sound enclosure (Option H12)! Hearing may be damaged.*
➤ *Always wear hearing protection.*
 2. **▲ WARNING** *Danger of burns from hot components!*
➤ *Wear long-sleeved garments and protective gloves.*
➤ *Work with caution.*
 3. **NOTICE** *Drive motor damage due to incorrect re-greasing!*
If the motor is switched off, the new bearing grease is distributed incorrectly and pressed unused into the old grease tank.
➤ *Re-grease the bearings only with the motor running.*
 4. The motor bearings must be replaced in the course of regular maintenance by an authorized KAESER service representative.



10-B1092

Fig. 39 Drive motor maintenance

① Grease fitting

1. Clean the fittings ① with a cloth before greasing.
2. Grease both bearings with a grease gun.

10.10.2 Option H12 Sound enclosure fan motor

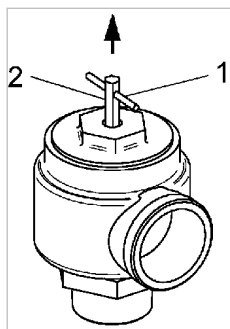
The motor bearings are permanently lubricated. Re-greasing is not necessary.

- The fan must be replaced in the course of regular service calls by an authorized KAESER service representative.

10.11 Testing the safety relief valve

Free movement of the safety relief valve's tension rod is checked by hand or with a lifting device.

Precondition The machine is switched off.
The machine is fully vented to atmosphere.



10-B0720

Fig. 40 Testing the safety relief valve

 ① Opening lever
 ② Tension rod

- Check for free movement of the tension rod ② by pulling vertically by the opening lever ①.
- The valve opens as soon as maximum working pressure is exceeded.
- Never operate the machine without a correctly functioning safety relief valve!

- Do **not** adjust the safety relief valve.
- Immediately replace a defective safety relief valve.

11 Spares, Operating Materials, Service

11.1 Note the nameplate

The nameplate contains all information to identify your machine. This information is essential to us in order to provide you with optimal service.

- Please give the information from the nameplate with every inquiry and order for spares.

11.2 Ordering consumable parts and operating fluids/materials

KAESER consumable parts and operating fluids/materials have the same characteristics as the originals. They are specifically selected for use in KAESER machines.

⚠ WARNING

There is risk of personal injury or damage to the machine resulting from the use of unsuitable spare parts or operating fluids/materials.

Non-Kaeser parts and operating fluids/materials may be unsuitable or of poor quality and can damage the machine or impair its proper function.

Personal injury may result from damage.

- *Use only original KAESER parts and operating fluids/materials.*
- *Have an authorized KAESER SERVICE representative carry out regular repair and maintenance.*

Machine

Name	Number
Drive belt	1800
Air filter	1250
Lubricating oil	1600

Tab. 44 Consumable parts and operating fluids/materials

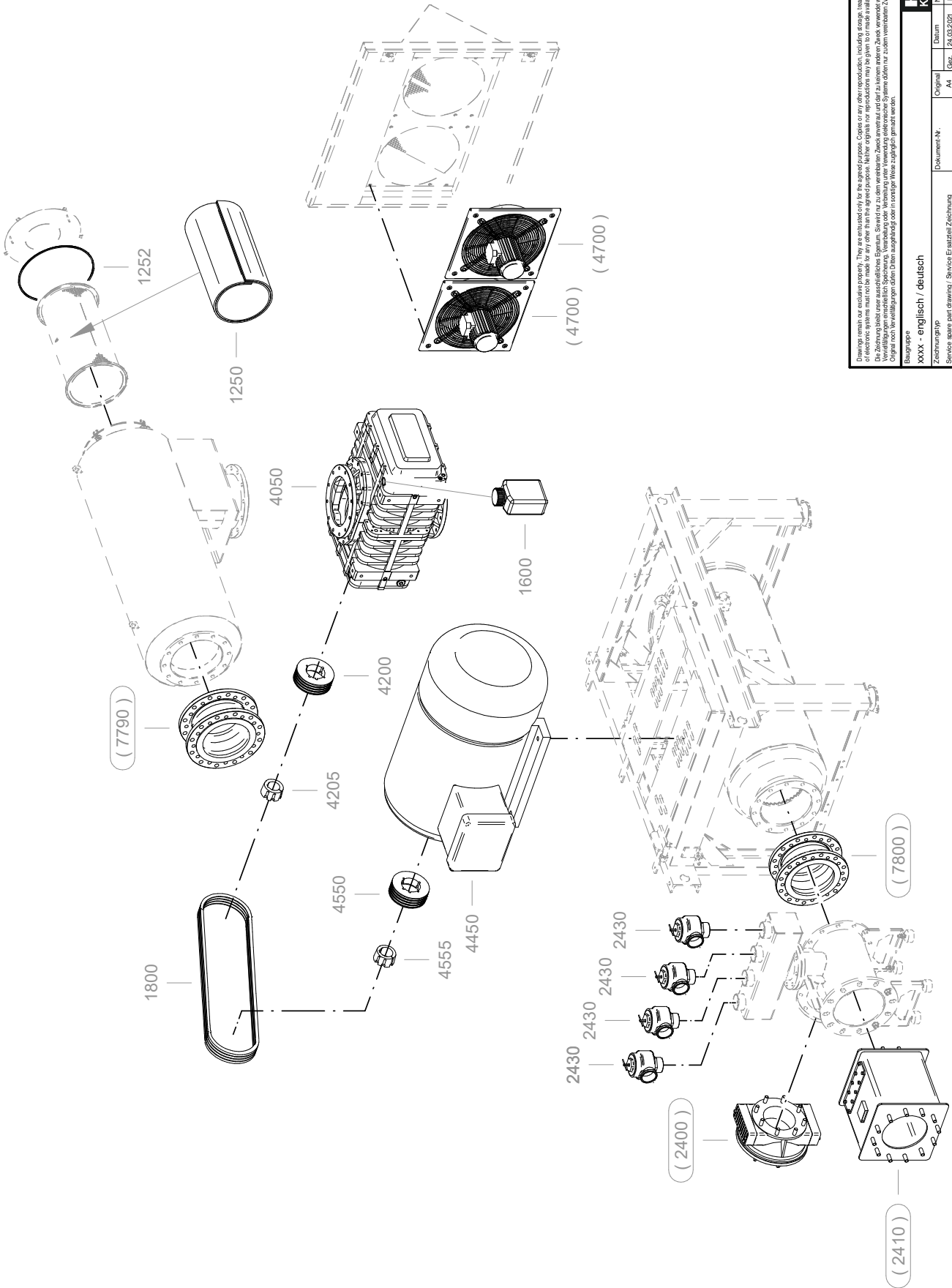
11.3 Spare parts for service and repair

Use this spare parts list to plan your material requirement according to operating conditions and to order the required spare parts.



- Make sure that any inspection, service (preventive maintenance) or repair tasks not described in this manual are carried out by an authorized KAESER service representative.

11.3.1 HB 1300 PI pr



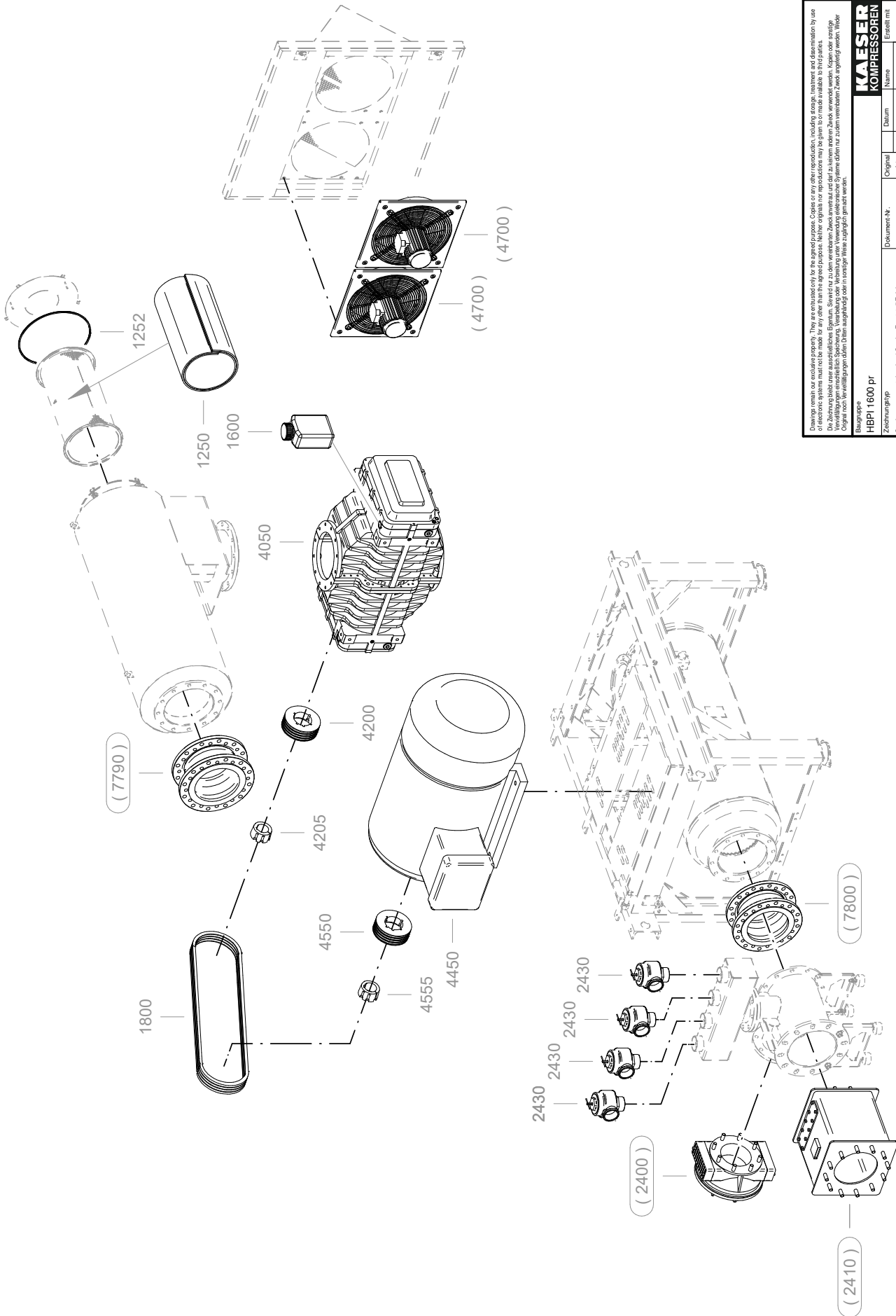
Blaugruppe
 XXXX - englisch / deutsch

KAESER KOMPRESSOREN		Name	Datum	Erstellt mit
Zachungstyp	Dokument-Nr.	Original	A1	HERN02
Service spare part drawing / Service Ersatzteil Zeichnung		Original		HERN02
SEB-Nummer	SEB-Gruppe	SEB-Status	SEB-Code	SEB-Info
SEB-1271	(Option) / Subassembly / Untereinheit			Blatt
				1 von 1

Drawing made for customer supply. This is not intended for the market. Copies for other purposes, including design, invention and dissemination by use of electronic systems, must not be made for any other than the agreed purpose. All other reproductions may be given to or made available to the public.
 Die Zeichnung bleibt unser ausschließliches Eigentum. Sie ist nicht für andere Zwecke anzuwenden und darf zu keinem anderen Zweck weitergegeben werden. Kopieren oder sonstige Veröffentlichungen elektronischer Systeme, Verleihen oder Verwendung elektronischer Systeme dürfen nur zu dem vereinbarten Zweck angefertigt werden. Weitergabe dieser Zeichnung für andere Zwecke ist ausdrücklich untersagt.

Legend		KAESER
HBPI 1300 pr		SEL-3908_01 E
Item	Description	Option
1250	Air filter insert	
1252	Inlet silencer gasket	
1600	OMEGA FLUID	
1800	Drive belt	
2400	Start control valve	X
2410	Check valve	X
2430	Pressure limiting valve	
4050	OMEGA blower block	
4200	Airend pulley	
4205	Tapered bushing, airend	
4450	Drive motor	
4550	Drive motor pulley	
4555	Tapered bushing, drive motor	
4700	Fan unit	X
7790	Compensator, air inlet	X
7800	Compensator, air outlet	X

11.3.2 HB 1600 PI pr



Blowgruppe
HBPI 1600 pr

KAESER KOMPRESSOREN		Erstellt mit	
Zachnungsgruppe	Dokument-Nr.	Name	Datum
Service spare part drawing / Service Ersatzteil Zeichnung	A1	HERN02	24.03.2020
SECS-Nummer	Original	HERN02	HERN02
SEG-12722	(Service-Kit) (Option) Subassembly / Untereinheit	HERN02	HERN02
		Status	F T E G E B E N
			1 von 1

Drawing made for customer supply. This is not intended for the general public. Copies of this drawing, including details, drawings and dimensions by use of electronic systems must not be made for any other than the agreed purpose. No further reproduction or reproduction may be given to third parties. Die Zeichnung bleibt unser ausschließliches Eigentum. Sie ist für den vorgesehenen Zweck anvertraut und darf zu keinem anderen Zweck weitergegeben, kopiert oder sonstig weiterverarbeitet werden. Nachdruck, Verbreitung oder Verwendung ohne schriftliche Genehmigung des Herstellers ist ausdrücklich untersagt.

Legend		KAESER
HBPI 1600 pr		SEL-3911_01 E
Item	Description	Option
1250	Air filter insert	
1252	Inlet silencer gasket	
1600	OMEGA FLUID	
1800	Drive belt	
2400	Start control valve	X
2410	Check valve	X
2430	Pressure limiting valve	
4050	OMEGA blower block	
4200	Airend pulley	
4205	Tapered bushing, airend	
4450	Drive motor	
4550	Drive motor pulley	
4555	Tapered bushing, drive motor	
4700	Fan unit	X
7790	Compensator, air inlet	X
7800	Compensator, air outlet	X

11.4 KAESER AIR SERVICE

KAESER AIR SERVICE offers:

- authorized KAESER service representatives with KAESER factory training,
- increased operational reliability ensured by preventive maintenance,
- energy savings achieved by avoidance of pressure losses,
- optimum conditions for operation of the compressed air system,
- the security of genuine KAESER spare parts,
- increased legal certainty as all regulations are kept to.

➤ Why not sign a KAESER AIR SERVICE maintenance agreement!

Result Your advantage:
lower costs and higher compressed air availability.

11.5 Completing the contamination declaration

Every company (user) is responsible for the health and safety of its employees. This extends to personnel who carry out servicing work at the user or service contractor.

A Declaration of Contamination must be completed and signed whenever maintenance or repair work is to be carried out on the machine.

1. Contact KAESER SERVICE and request the contamination declaration form.
2. Attach a copy of the Declaration of Contamination to the **outside** of the packing.

12 Decommissioning, Storage and Transport

12.1 Decommissioning

Decommissioning is required under circumstances such as the following:

- The machine is (temporarily) not required.
- The machine is to be transported to another location.
- The machine is to be scrapped.

Temporary decommissioning

Precondition The machine can be started at regular intervals.

- Run the machine once per week, or once per day under unfavorable weather conditions, for a minimum of 30 minutes at operating temperature in order to ensure adequate corrosion protection.

Long-term decommissioning



Long-term decommissioning leads to corrosion damage to the machine and should be avoided.

KAESER will be glad to assist you regarding any questions concerning correct storage and decommissioning.

Precondition The power supply disconnecting device is switched off, lock out / tag out the device, the absence of all voltage has been verified.
The machine is fully vented.

1. Allow the machine to cool down completely.
2. Disconnect all connecting lines and the power supply.
3. Release the tension from the drive belt.
4. Spray the machine inside and out with a preserving agent to protect from corrosion.
5. Store the machine in a dry, frost-proof room.

Further information For information on preservative oils, see chapter 12.4.

12.2 Packing

A wooden crate is required for overland transport to protect the machine from mechanical damage. Other measures must be taken for the transport of machines by sea or air. Please contact an authorized KAESER SERVICE for more information.

Material Protective plastic sheeting
Wooden transport crate

Precondition The machine is decommissioned.
The machine is dry and cooled down.

1. Wrap the machine fully in plastic sheeting.
2. Protect the machine in a wooden crate against mechanical damages.

12.3 Transport



- Prior to transport, remove the sound enclosure and the intake silencer.

12.3.1 Safety

Weight and center of gravity determine the most suitable method of transportation. Both are specified in the dimensional drawings in chapter 13.2.

Precondition Transport only using a forklift truck or lifting gear and only by personnel trained in the safe transportation of loads.

- Make sure the danger area is clear of personnel.

12.3.2 Transport with a forklift truck

- Place the machine on a pallet, drive the forks completely under the pallet and lift carefully.

12.3.3 Transport with a crane

Suitable lifting gear ensures correct transportation.

Examples of unsuitable fixing points:

- Pipe sockets
- Flanges
- Attached accessories
- Rain protection covers

Precondition The lifting gear complies with local safety regulations.
No pressure should bear on the sides of the machine cabinet.

1. **NOTICE** *The machine can be damaged by incorrect attachment of the lifting gear!*
 - Do not attach the lifting gear to any of the machine components.
 - The manufacturer can advise on the use of suitable lifting gear.
2. Push 2 crowbars with Ø 2 in. through the holes provided in the frame. Attach slings and padding, if required.
 - Use the lifting gear correctly and lift the machine carefully.

12.4 Storage

Moisture can lead to corrosion, particularly on the surfaces of the blower block. The storage temperature must not fall below -22°F.



- Should you have any questions concerning the correct storage and recommissioning procedure, KAESER will be glad to assist you.

⚠ CAUTION

Rotating lobes!

Risk of injury from crushing or severing of limbs.

- *Do not reach into the interior of the blower block.*
- *If full protection is only provided when the machine is completely installed, then in all other phases of the machine's life-cycle temporary protective devices (e.g. covers) must be fitted, in order to guarantee that parts of the body cannot reach or be caught/sucked in by the rotary lobes.*

NOTICE

Moisture and frost can damage the machine.

- *Prevent the ingress of moisture and formation of condensation.*
- Store the machine in a dry, frost-proof room.
- Seal off the inlet and discharge ports to prevent the ingress of dirt.

Following long-term storage

Longer downtimes lead to corrosion damage and should be avoided.

- Observe the procedures for assembly and initial commissioning.

12.5 Disposal

When disposing of a machine, drain out all liquids and remove old filters.

Precondition The machine is decommissioned.

1. Completely drain the oil from the machine.
2. Remove old filters.
3. Hand the machine over to an authorized disposal expert.



- Components contaminated with oil must be disposed of in accordance with local environmental protection regulations.

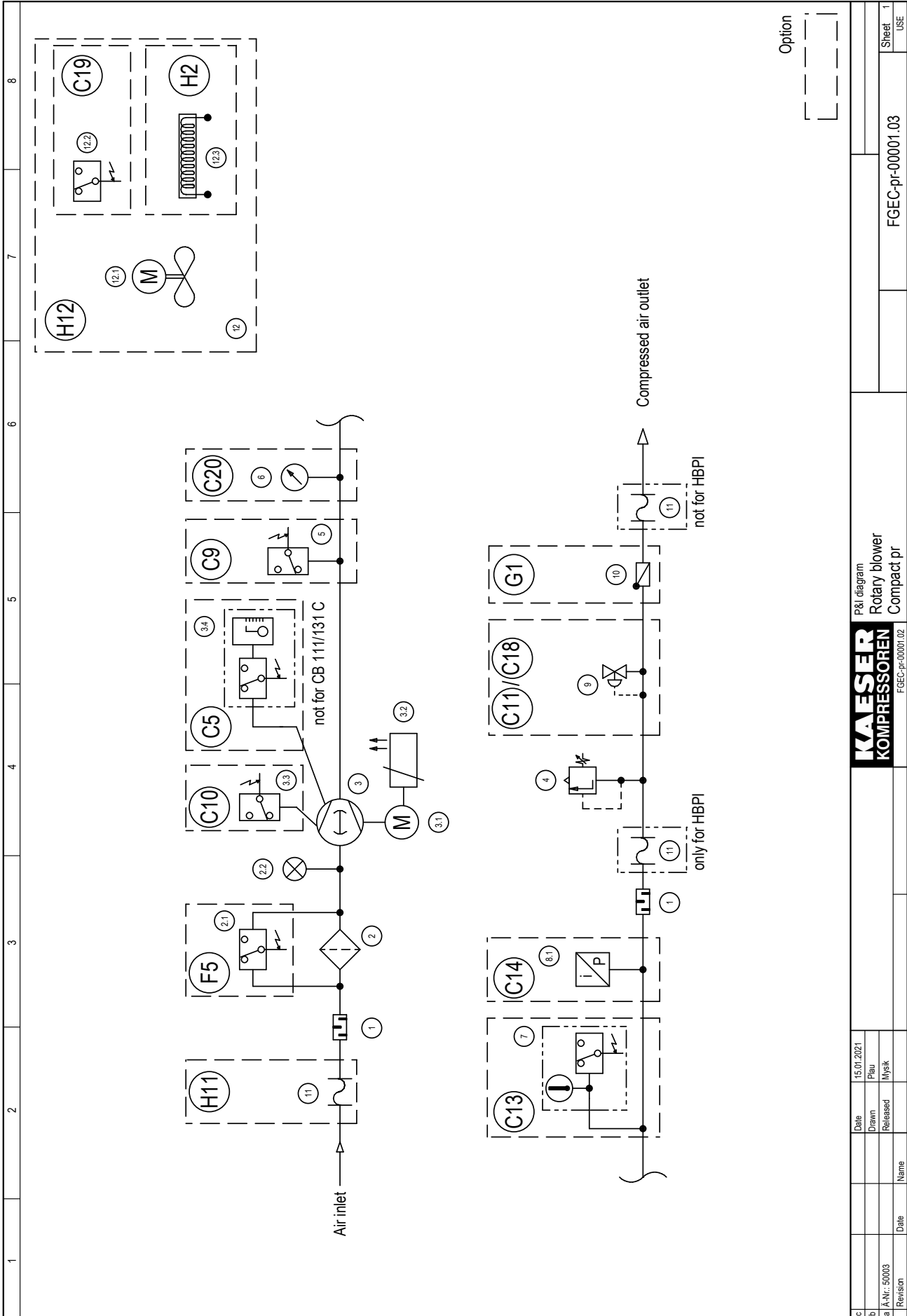
13 Annex

13.1 Piping and instrumentation diagram (P&I diagram)

13.1.1 Version A

1	2	3	4	5	6	7	8	
1	silencer							
2	air filter							
2.1	differential pressure switch							
2.2	filter maintenance indicator							
3	blower block							
3.1	drive motor							
3.2	PTC-sensor							
3.3	speed monitor							
3.4	oil-level sensor, switching							
4	safety relief valve							
5	pressure switch							
6	pressure gauge							
7	temperature gauge switch + indication							
8.1	pressure transducer - system pressure							
9	unloaded start valve or unloaded pressure control valve							
10	check plate							
11	compensator							
12	sound enclosure							
12.1	fan motor							
12.2	thermostat							
12.3	auxiliary cabinet heating							
	option							
	C5	oil level monitoring (not on CB 111/131 C)						
	C9	high pressure warning message						
	C10	speed monitor						
	C11	unloaded start valve						
	C13	temperature gauge switch						
	C14	pressure transducer						
	C18	start-up pressure control valve						
	C19	sound enclosure thermostat						
	C20	pressure indicator						
	F5	filter pressure differential monitoring						
	G1	check plate						
	H2	auxiliary cabinet heating						
	H11	piped inlet						
	H12	sound enclosure						
c	Datum	26.05.2014						
b	Bearb.	Pflu						
a	Gepr.	Mysek						
	Änderung	Datum	Name	Norm	Ersatz durch:	Ersatz für:		
			KAESER KOMPRESSOREN		P&I Diagram rotary blower Compact pr			
			Ursprung: FGEC-pr-00001.01		FGEC-pr-00001.02			
							Blatt 2 USE	

13.1.2 Version B and C



c	Date	15.01.2021
b	Drawn	Plau
a	Released	Mysik
Revision	Date	Name

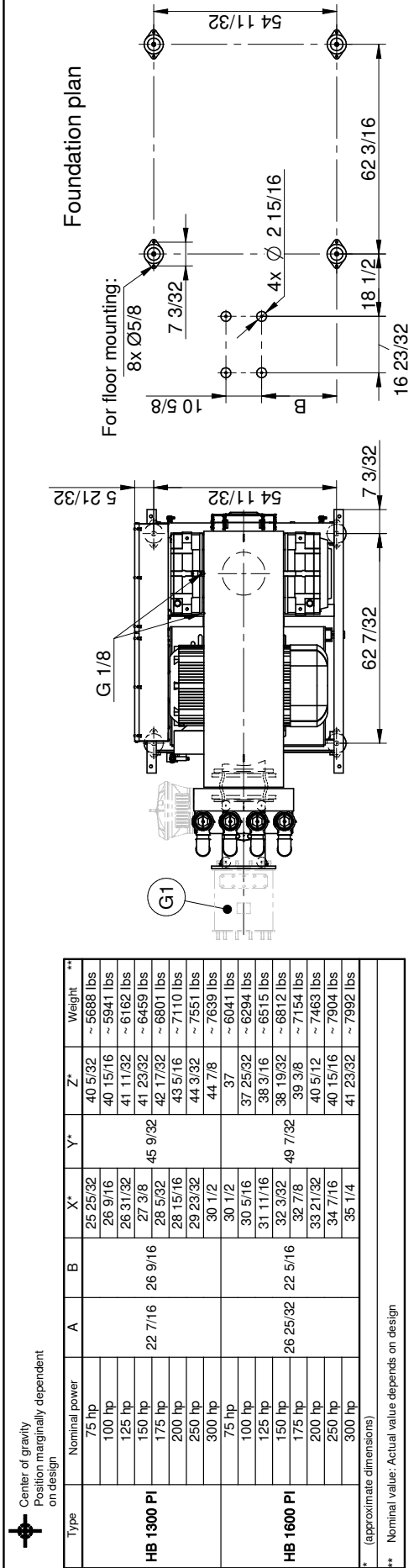
KAESER
KOMPRESSOREN
P&I diagram
Rotary blower
Compact pr

FGEC-pr-00001.03

Sheet 1
USE

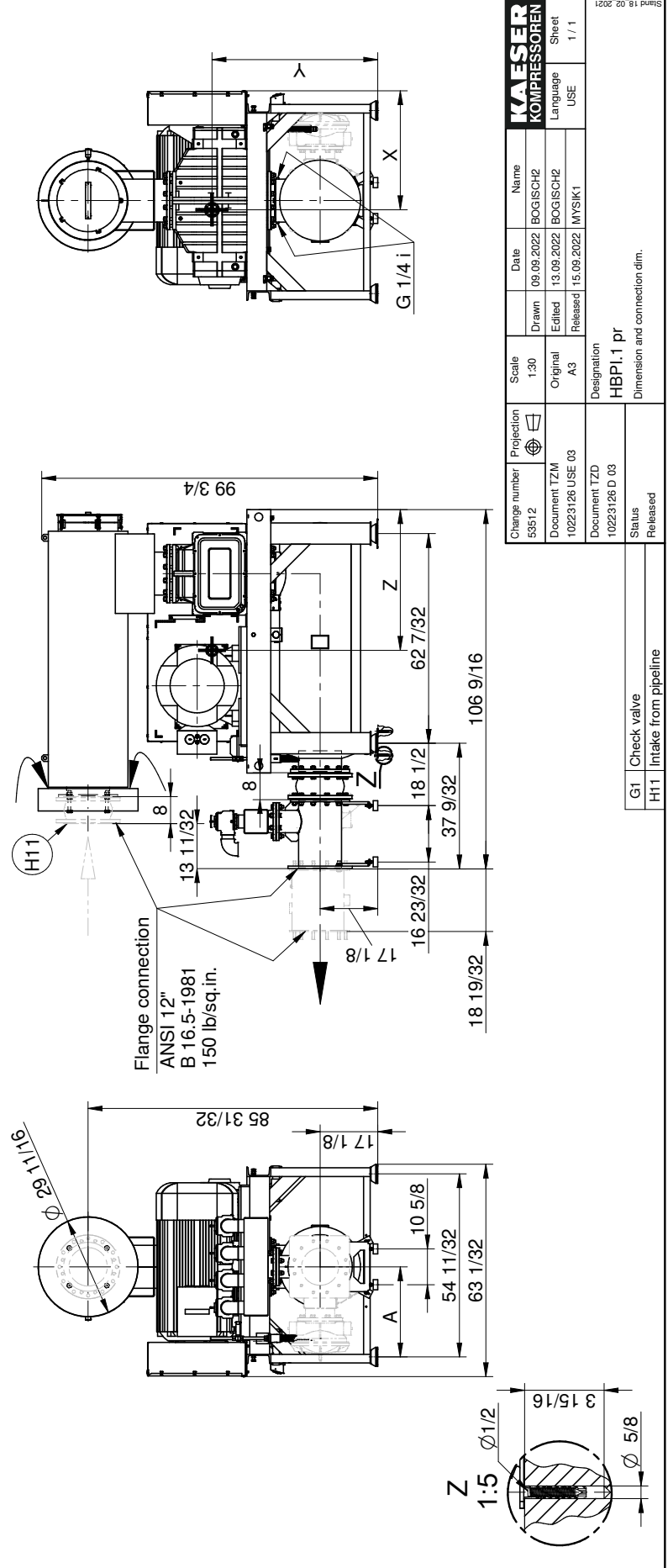
Option

13.2 Dimensional drawing



Type	Nominal power	A	B	X*	Y*	Z*	Weight**
HB 1300 PI	75 hp	25 25/32		40 5/32		~5688 lbs	
	100 hp	26 9/16		40 15/16		~5941 lbs	
	125 hp	26 31/32		41 11/32		~6162 lbs	
	150 hp	27 3/8	22 7/16	26 9/16	45 9/32	~6459 lbs	
	175 hp	28 5/32		43 5/16		~6801 lbs	
HB 1600 PI	200 hp	28 15/16		44 3/32		~7110 lbs	
	250 hp	29 23/32		44 7/8		~7659 lbs	
	300 hp	30 1/2		37		~6041 lbs	
	75 hp	30 1/2		37 25/32		~6294 lbs	
	100 hp	30 5/16		38 3/16		~6515 lbs	
	125 hp	31 11/16		38 19/32		~6812 lbs	
	150 hp	32 3/32	26 25/32	22 5/16	49 7/32	~7154 lbs	
175 hp	32 7/8		40 5/12		~7463 lbs		
200 hp	33 21/32		40 15/16		~7904 lbs		
250 hp	34 7/16		41 23/32		~7992 lbs		
300 hp	35 1/4						

Dimensions shown in inches



Change number	53512	Projection	1:30	Scale	1:30	Name	BOGISCHE
Document TZN	10223126 USE 03	Document TZN	Original	Original	BOGISCHE	Date	09.09.2022
Document TZO	10223126 D 03	Document TZO	A3	A3	MYSIK1	Language	USE
Status	Released	Designation	HBPI.1 pr		Sheet	1 / 1	
Released		Dimension and connection dim.					

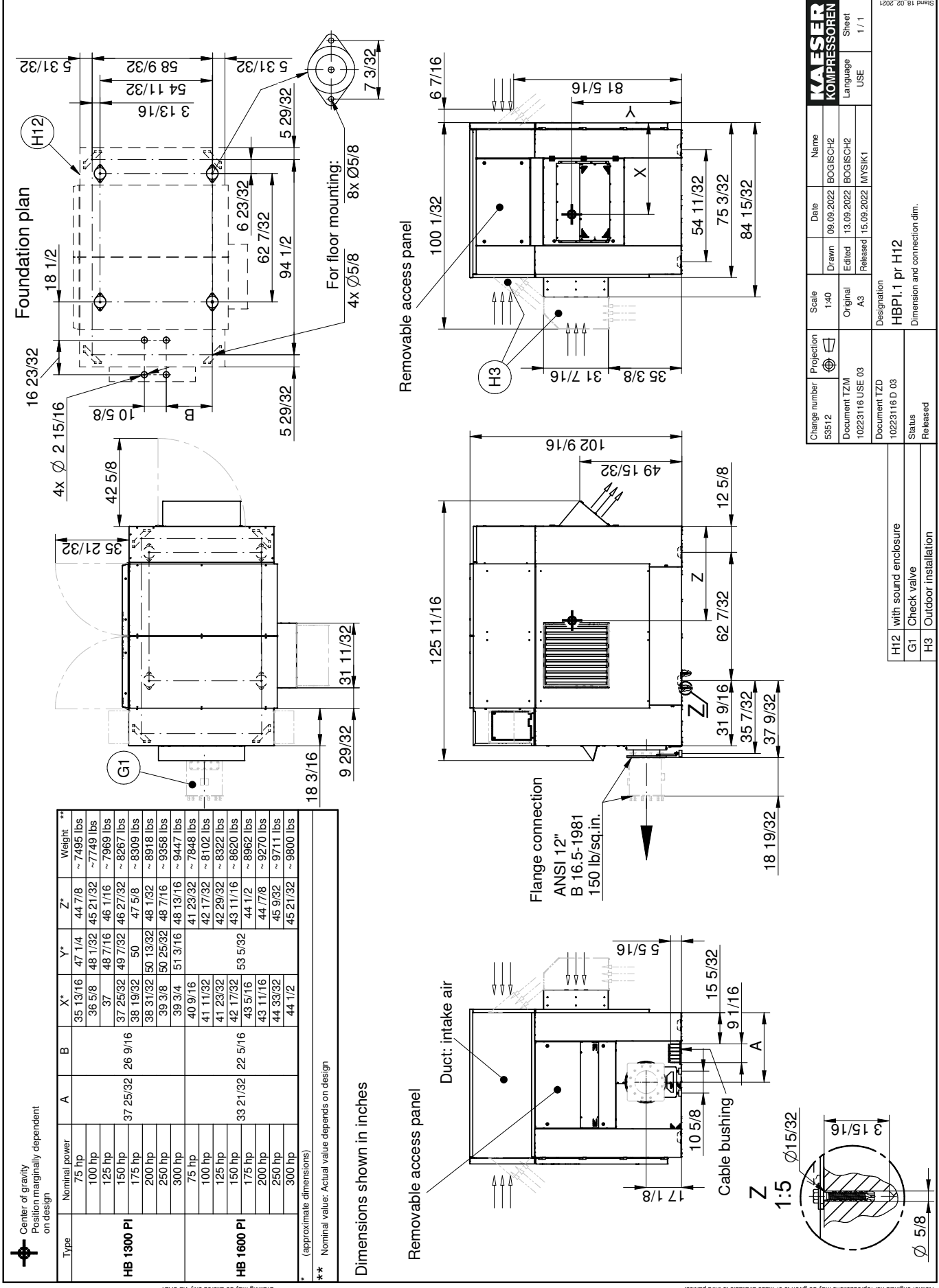
Check valve	G1
Intake from pipeline	H11

Center of gravity
Position marginally dependent
on design

(approximate dimensions)

Nominal value: Actual value depends on design

Drawings remain our exclusive property.
They are suitable only for the agreed upon purpose.
Neither originals nor reproductions may be given to or made available to third parties.
Copies or any other reproduction, including storage, treatment and distribution by use of electronic systems is not allowed for any other than the agreed upon purpose.



Change number	Projection	Scale	Date	Name
53512	1:40	Original	09.09.2022	BOGISCHE2
10223116 USE 03	A3	Released	13.09.2022	BOGISCHE2
10223116 USE 03	Released	Designation	15.09.2022	MYSIK1

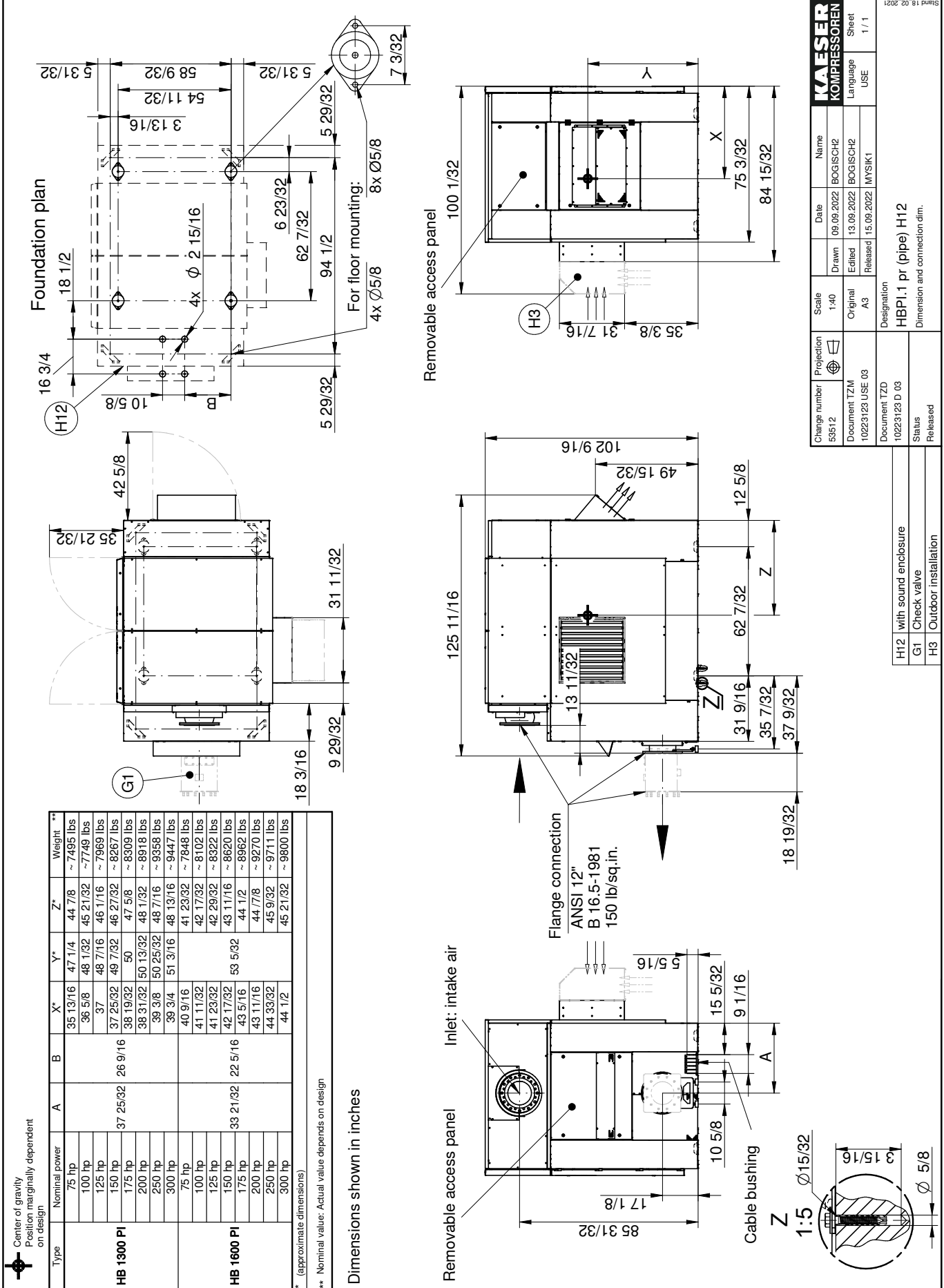
Designation: HBPI.1 pr H12
Dimension and connection dim.

Document T2D	Status
10223116 D 03	Released

H12 with sound enclosure
G1 Check valve
H3 Outdoor installation

Change number	Projection	Scale	Date	Name
53512	1:40	Original	09.09.2022	BOGISCHE2
10223116 USE 03	A3	Released	13.09.2022	BOGISCHE2
10223116 USE 03	Released	Designation	15.09.2022	MYSIK1

Designation: HBPI.1 pr H12
Dimension and connection dim.



Change number		Projection	Scale	Date	Name
53512	1:40	Original	09.09.2022	BOGISCHE	BOGISCHE
10223125 USE 03	A3	Released	13.09.2022	BOGISCHE	BOGISCHE
10223125 D 03	Released	Designation	15.09.2022	MYSIK1	MYSIK1
Status		Designation			
Released		HBPI.1 pr (pipe) H12			
		Dimension and connection dim.			

Change number	Projection	Scale	Date	Name
53512	Original	1:40	09.09.2022	BOGISCHE
10223125 USE 03	A3	Released	13.09.2022	BOGISCHE
10223125 D 03	Released	Designation	15.09.2022	MYSIK1
Status		Designation		
Released		HBPI.1 pr (pipe) H12		
		Dimension and connection dim.		

Change number	Projection	Scale	Date	Name
53512	Original	1:40	09.09.2022	BOGISCHE
10223125 USE 03	A3	Released	13.09.2022	BOGISCHE
10223125 D 03	Released	Designation	15.09.2022	MYSIK1
Status		Designation		
Released		HBPI.1 pr (pipe) H12		
		Dimension and connection dim.		

13.3 Sound emission

The values for sound pressure levels and sound power levels are provided in the tables below:
Each table discusses one type.

The values applicable to the machine result from the combination of the blower block speed and the differential pressure.

If the texts of the tables are not provided in the chosen language, a translation can be found here.

	Table legend
a)	Model
b)	Without sound enclosure
c)	With sound enclosure
d)	Blower block speed
e)	Pressure differential
f)	Sound pressure level
g)	Sound power level

Tab. 45 Sound emission - legend

a) HB1300PI			b) without sound enclosure		c) with sound enclosure	
d) block speed	e) pressure differential		f) sound level	g) sound power level	f) sound level	g) sound power level
[min ⁻¹]	[mbar]	[psi]	[dB(A)]	[dB(A)]	[dB(A)]	[dB(A)]
			± 3 dB(A)	± 3 dB(A)	± 3 dB(A)	± 3 dB(A)
1250	200	3	94	113	74	94
1250	300	4	95	113	74	94
1250	400	6	95	113	74	94
1250	500	7	95	114	74	94
1250	600	9	96	114	75	94
1250	700	10	97	115	76	95
1250	800	12	98	117	77	97
1250	900	13	98	117	77	97
1250	990	14	99	118	78	98
1375	200	3	95	113	74	94
1375	300	4	95	113	74	94
1375	400	6	95	114	74	94
1375	500	7	95	114	74	94
1375	600	9	96	115	75	94
1375	700	10	97	115	76	95
1375	800	12	98	117	77	97
1375	900	13	99	117	78	97
1375	990	14	100	118	79	98
1480	200	3	95	113	74	94
1480	300	4	95	113	74	94
1480	400	6	95	114	74	94
1480	500	7	95	114	74	94
1480	600	9	96	115	75	95
1480	700	10	97	116	76	95
1480	800	12	98	117	77	97
1480	900	13	99	117	78	97
1480	1000	15	100	118	79	98
1660	200	3	95	114	74	94
1660	300	4	95	114	74	94
1660	400	6	95	114	74	94
1660	500	7	96	114	75	94
1660	600	9	96	115	75	95
1660	700	10	97	116	76	96
1660	800	12	99	117	78	97
1660	900	13	99	118	78	98
1660	1000	15	100	119	79	99
1750	200	3	95	114	74	94
1750	300	4	95	114	74	94
1750	400	6	96	114	75	94
1750	500	7	96	115	75	94
1750	600	9	97	115	76	95
1750	700	10	97	116	76	96
1750	800	12	99	117	78	97
1750	900	13	99	118	78	98
1750	1000	15	100	119	79	99
1880	200	3	95	114	74	94
1880	300	4	95	114	74	94
1880	400	6	96	114	75	94
1880	500	7	96	115	75	95
1880	600	9	97	115	76	95
1880	700	10	98	116	77	96
1880	800	12	99	118	78	97
1880	900	13	100	118	79	98
1880	1000	15	100	119	79	99
1980	200	3	96	114	75	94
1980	300	4	96	114	75	94
1980	400	6	96	115	75	94
1980	500	7	96	115	75	95
1980	600	9	97	116	76	95
1980	700	10	98	116	77	96

d) block speed [min ⁻¹]	a) HB1300PI		b) without sound enclosure		c) with sound enclosure	
	e) pressure differential		f) sound level	g) sound power level	f) sound level	g) sound power level
	[mbar]	[psi]	[dB(A)]	[dB(A)]	[dB(A)]	[dB(A)]
			± 3 dB(A)	± 3 dB(A)	± 3 dB(A)	± 3 dB(A)
1980	800	12	99	118	78	98
1980	900	13	100	118	79	98
1980	1000	15	101	119	80	99
2100	200	3	96	114	75	94
2100	300	4	96	114	75	94
2100	400	6	96	115	75	95
2100	500	7	97	115	76	95
2100	600	9	97	116	76	96
2100	700	10	98	117	77	97
2100	800	12	99	118	78	98
2100	900	13	100	119	79	99
2100	1000	15	101	120	80	99
2220	200	3	96	115	75	94
2220	300	4	96	115	75	95
2220	400	6	96	115	75	95
2220	500	7	97	115	76	95
2220	600	9	97	116	76	96
2220	700	10	98	117	77	97
2220	800	12	99	118	78	98
2220	900	13	100	119	79	99
2220	1000	15	101	120	80	100
2360	200	3	96	115	75	95
2360	300	4	96	115	75	95
2360	400	6	97	115	76	95
2360	500	7	97	116	76	96
2360	600	9	98	116	77	96
2360	700	10	99	117	78	97
2360	800	12	100	118	79	98
2360	900	13	101	119	80	99
2360	1000	15	101	120	80	100
2475	200	3	96	115	75	95
2475	300	4	97	115	76	95
2475	400	6	97	116	76	96
2475	500	7	97	116	76	96
2475	600	9	98	116	77	96
2475	700	10	99	117	78	97
2475	800	12	100	119	79	98
2475	900	13	101	120	80	99
2475	1000	15	102	120	81	100
2645	200	3	97	115	76	95
2645	300	4	97	116	76	96
2645	400	6	98	116	77	96
2645	500	7	98	116	77	96
2645	600	9	98	117	77	97
2645	700	10	99	118	78	98
2645	800	12	100	119	79	99
2645	900	13	101	120	80	100
2645	990	14	102	121	81	101

d) block speed [min ⁻¹]	a) HB1600PI		b) without sound enclosure		c) with sound enclosure	
	e) pressure differential		f) sound level	g) sound power level	f) sound level	g) sound power level
	[mbar]	[psi]	[dB(A)] ± 3 dB(A)	[dB(A)] ± 3 dB(A)	[dB(A)] ± 3 dB(A)	[dB(A)] ± 3 dB(A)
1250	200	3	96	115	75	95
1250	300	4	97	115	76	95
1250	400	6	97	115	76	95
1250	500	7	97	116	76	96
1250	600	9	99	118	78	98
1250	700	10	101	119	80	99
1250	800	12	102	120	81	100
1375	200	3	96	115	75	95
1375	300	4	97	115	76	95
1375	400	6	97	116	76	95
1375	500	7	98	116	77	96
1375	600	9	100	118	79	98
1375	700	10	101	120	80	100
1375	800	12	102	120	81	100
1480	200	3	97	115	76	95
1480	300	4	97	116	76	96
1480	400	6	97	116	76	96
1480	500	7	98	117	77	96
1480	600	9	100	119	79	99
1480	700	10	101	120	80	100
1480	800	12	102	121	81	101
1660	200	3	97	116	76	96
1660	300	4	97	116	76	96
1660	400	6	98	116	77	96
1660	500	7	99	117	78	97
1660	600	9	101	119	80	99
1660	700	10	102	121	81	100
1660	800	12	103	121	82	101
1750	200	3	97	116	76	96
1750	300	4	98	116	77	96
1750	400	6	98	117	77	97
1750	500	7	99	118	78	97
1750	600	9	101	119	80	99
1750	700	10	102	121	81	101
1750	800	12	103	121	82	101
1880	200	3	98	116	77	96
1880	300	4	98	117	77	97
1880	400	6	99	117	78	97
1880	500	7	99	118	78	98
1880	600	9	101	120	80	100
1880	700	10	103	121	82	101
1880	800	12	103	122	82	102
1980	200	3	98	117	77	96
1980	300	4	98	117	77	97
1980	400	6	99	118	78	97
1980	500	7	100	118	79	98
1980	600	9	102	120	81	100
1980	700	10	103	122	82	101
1980	800	12	104	122	83	102
2100	200	3	98	117	77	97
2100	300	4	99	117	78	97
2100	400	6	99	118	78	98
2100	500	7	100	119	79	99
2100	600	9	102	121	81	101
2100	700	10	103	122	82	102
2100	800	12	104	123	83	102
2220	200	3	99	118	78	97
2220	300	4	99	118	78	98
2220	400	6	100	119	79	99
2220	500	7	101	120	80	100

d) block speed [min ⁻¹]	a) HB1600PI		b) without sound enclosure		c) with sound enclosure	
	e) pressure differential		f) sound level	g) sound power level	f) sound level	g) sound power level
	[mbar]	[psi]	[dB(A)]	[dB(A)]	[dB(A)]	[dB(A)]
			± 3 dB(A)	± 3 dB(A)	± 3 dB(A)	± 3 dB(A)
2220	600	9	103	121	82	101
2220	700	10	104	122	83	102
2220	800	12	104	123	83	103
2360	200	3	99	118	78	98
2360	300	4	100	119	79	98
2360	400	6	101	119	80	99
2360	500	7	102	120	81	100
2360	600	9	103	122	82	102
2360	650	9	104	123	83	103
2475	200	3	100	119	79	99
2475	300	4	100	119	79	99
2475	400	6	102	120	81	100
2475	500	7	102	121	81	101
2475	600	9	104	122	83	102
2475	650	9	105	123	83	103

13.4 Drive motor electrical diagram

The connection diagram is a common diagram for the main voltage and frequency.

1	2	3	4	5	6	7	8
<div style="border: 1px solid black; padding: 10px; margin: 10px auto; width: 80%;"> <p style="font-size: 1.2em; margin: 0;">Wiring Diagram</p> <p style="margin: 0;">drive motor</p> <p style="margin: 0;">voltage / power supply</p> <p style="margin: 0;">Wiring variants</p> <p style="margin: 0;">motor option</p> <p style="margin: 0;">Power supply:</p> <p style="margin: 0;">WYE system with center point solidly grounded</p> </div>							
<p>The document gives collective information on power supply voltages and frequencies for all machines. The voltage and frequency and local conditions under which any particular machine may be used are given on the nameplate of the machine and in the accompanying service manual.</p>							
<p>The drawings remain our exclusive property. They are entrusted only for the agreed purpose. Copies or any other reproductions, including storage, treatment and dissemination by use of electronic systems must not be made for any other than the agreed purpose. Neither originals nor reproductions must be forwarded or otherwise made accessible to third parties.</p>							
<p>manufacturer: KAESER KOMPRESSOREN SE Postfach 2143 96410 Coburg</p>							
<p>cover page drive motor</p>							
<p>KAESER KOMPRESSOREN Ursprung</p>							
c		Datum		16.10.2018		USE	
b		Bearbeiter		M.Zeeh			
a		Geprüft		M.Zeeh			
A. Änderung		Datum		Name		Norm	
				Ersatz durch:		Ersatz für:	
						DXB.SSG-03022.03	
						page 1	
						1 Bl.	

Lfd. Nr. No.	Benennung Name	Zeichnungsnummer (Kunde) Drawing No. (customer)	Zeichnungsnummer (Hersteller) Drawing No. (manufacturer)	Blatt Page	Anlagenkennzeichen Unit designation
1	cover page		DXB.SSG-03022.03	1	
2	list of contents		ZXB.SSG-03022.03	1	
3	Wiring Diagram		SXB.SSG-03022.03	1	
4	Wiring Diagram	mains voltage 6 terminals	SXB.SSG-03022.03	2	
5	Wiring Diagram	mains voltage 9 terminals	SXB.SSG-03022.03	3	
6	Wiring Diagram	Wiring variants 9 terminals	SXB.SSG-03022.03	4	
7	Wiring Diagram	mains voltage 12 terminals	SXB.SSG-03022.03	5	
8	Wiring Diagram	Wiring variants 12 terminals	SXB.SSG-03022.03	6	
9	Wiring Diagram	option	SXB.SSG-03022.03	7	

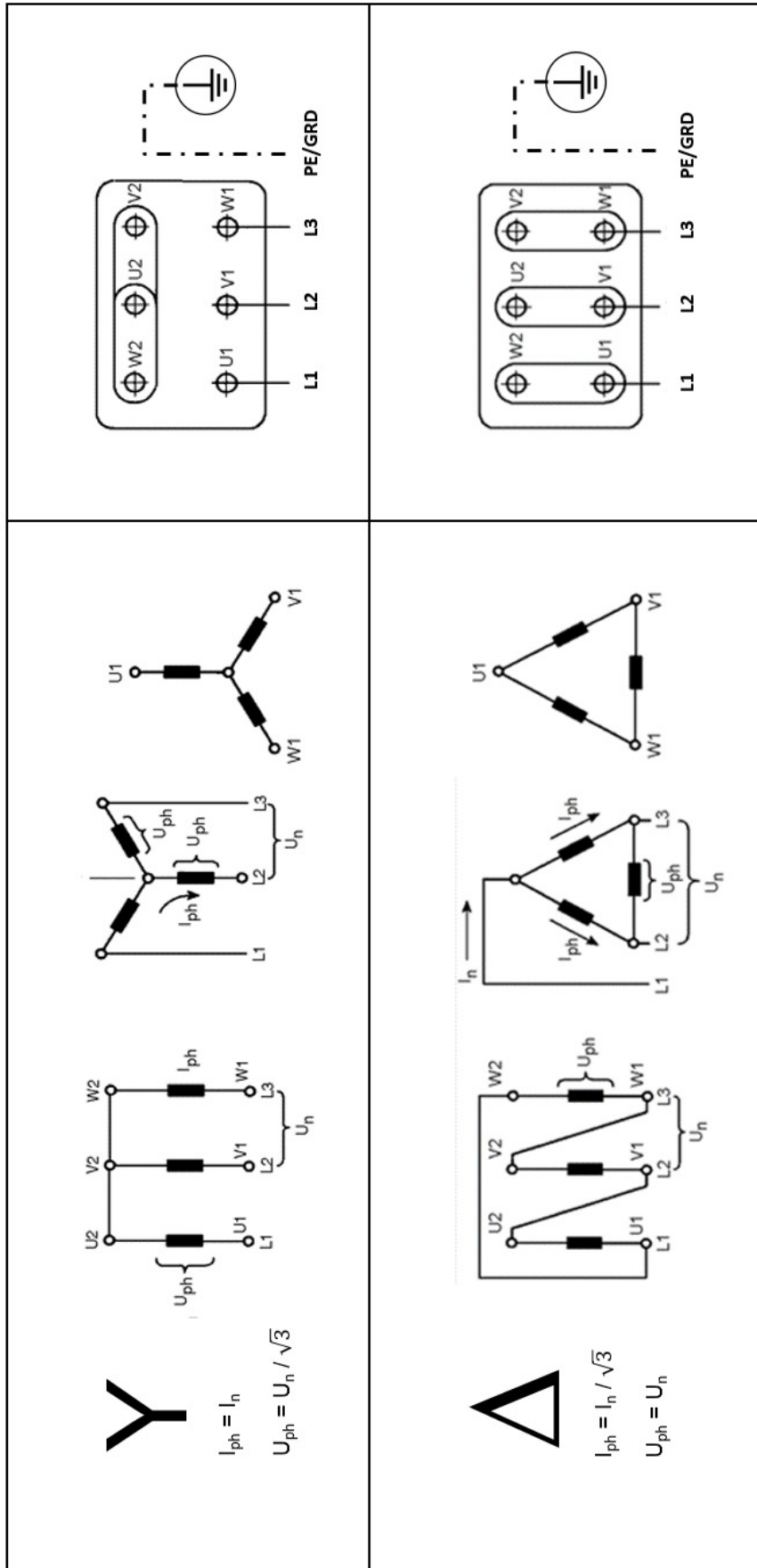
c	Datum	16.10.2018	list of contents	=	
b	Bearbeiter	M.Zeesh		+	
a	Geprüft	IM.Zeesh			
B Änderung	Datum	Name	Ersatz durch:	Ersatz für:	page 1 1 Bl.
				ZXB.SSG-03022.03	

1	2	3			4		5		6		7		8			
		drive motor 6 terminals			50Hz power supply		60Hz power supply		wye-delta start		direct on line start		wye-delta start		direct on line start	
		Y/D	Y	Y	Y/D	D	Y	Y/D	D	Y/D	D	Y	Y/D	D	Y	Y
	200V D - 50Hz	200V		200V	200V											
	200V D - 60Hz															
	208V D / 360V Y - 60Hz															
	220V D / 380V Y - 50Hz	220V		220V	220V	380V										
	220V D / 380V Y - 60Hz															
	230V D / 400V Y - 50Hz	230V		400V	400V	400V										
	460V Y - 60Hz															460V
	240V D / 415V Y - 50Hz	240V		240V	240V	415V										
	380V D - 50Hz	380V		380V	380V											
	380V D - 60Hz															
	380V D / 660V Y - 50Hz	380V		380V	380V	660V										
	380V D / 660V Y - 60Hz															
	400V D - 50Hz	400V		400V	400V											
	460V D - 60Hz															
	400V D / 690V Y - 50Hz	400V		400V	400V	690V										
	460V Δ - 60Hz															
	400V D - 60Hz															
	415V D - 50Hz	415V		415V	415V											
	440V D - 60Hz															
	460V D - 60Hz															
	480V D - 60Hz															
	500V D - 50Hz	500V		500V	500V											
	575V D - 60Hz															
	535V D - 50Hz	535V		535V	535V											
	550V D - 50Hz	550V		550V	550V											
	550V D - 60Hz															
	660V D - 50Hz	660V		660V	660V											
	690V D - 50Hz	690V		690V	690V											
	690V Y - 50Hz					690V										
	690V D - 60Hz															
	690V Y - 60Hz															690V

c	Datum	16.10.2018		Wiring Diagram drive motor 6 terminals mains voltage 6 terminals	=	SXB.SSG-03022.03	page	1	
	Bearbeiter	M.Zeeh							7 Bl.
	Geprüft	M.Zeeh							
a	Änderung		Erstellt durch:						

1 2 3 4 5 6 7 8

drive motor 6 terminals



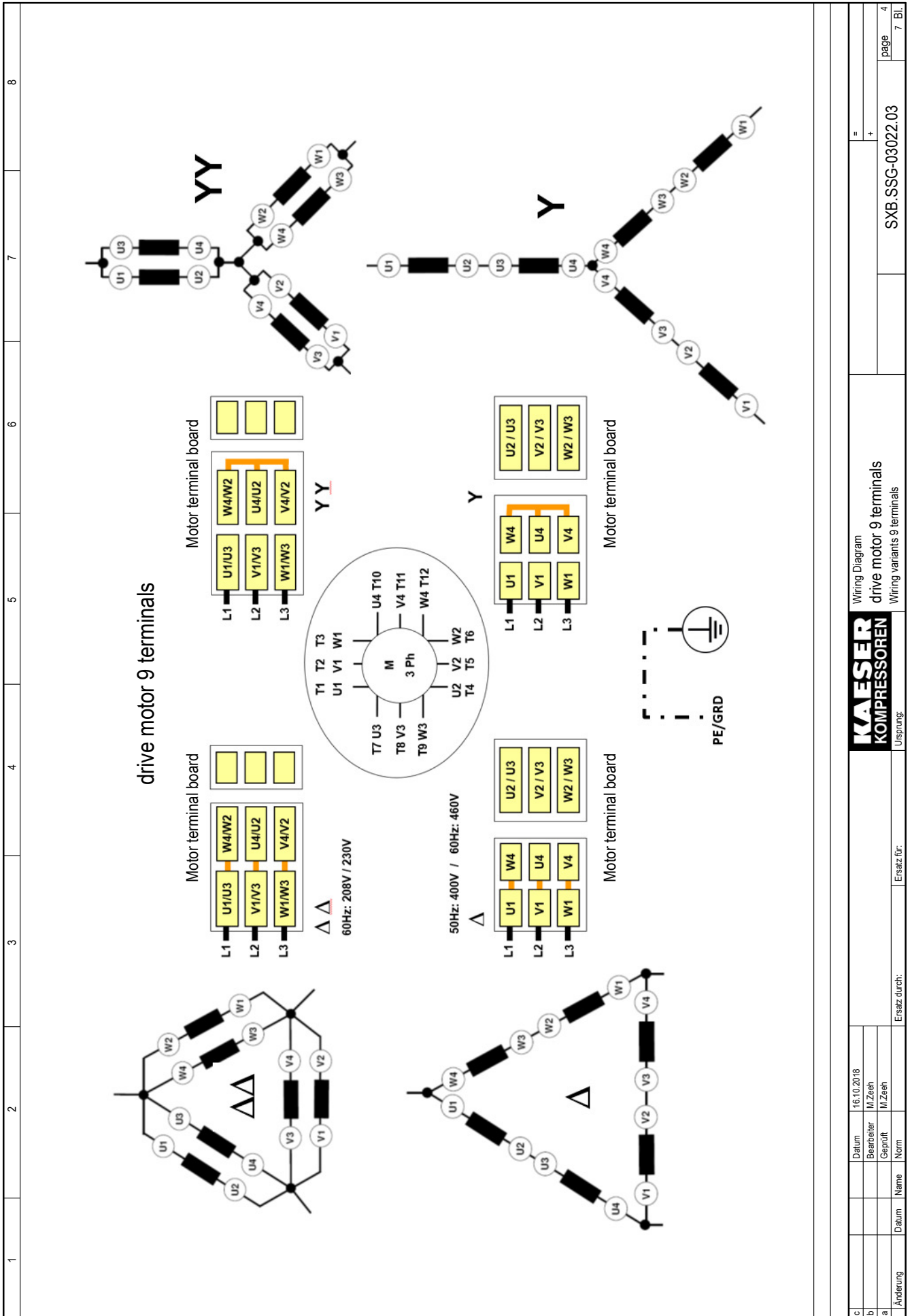
c	Datum	16.10.2018	=	SX.B.SSG-03022.03	page	2
	Bearbeiter	M.Zeesh				
b	Geprüft	M.Zeesh	+	7 Bl.		
a	Norm					
Änderung		Datum	Name	Ersatz durch:		

Wiring Diagram
drive motor 6 terminals
Wiring variants 6 terminals

KAESER
KOMPRESSOREN
Ursprung:

1	2	3	4	5	6	7	8
drive motor 9 terminals							
voltage		50Hz power supply		60Hz power supply			
		Y/D	direct on line start	Y/D	direct on line start		
208V DD - 60Hz				208V YY/DD	208V DD		
230V DD - 60Hz				230V YY/DD	230V DD		
400V D - 50Hz		400V Y/D	400V D				
460V D - 60Hz				460V Y/D	460V D		

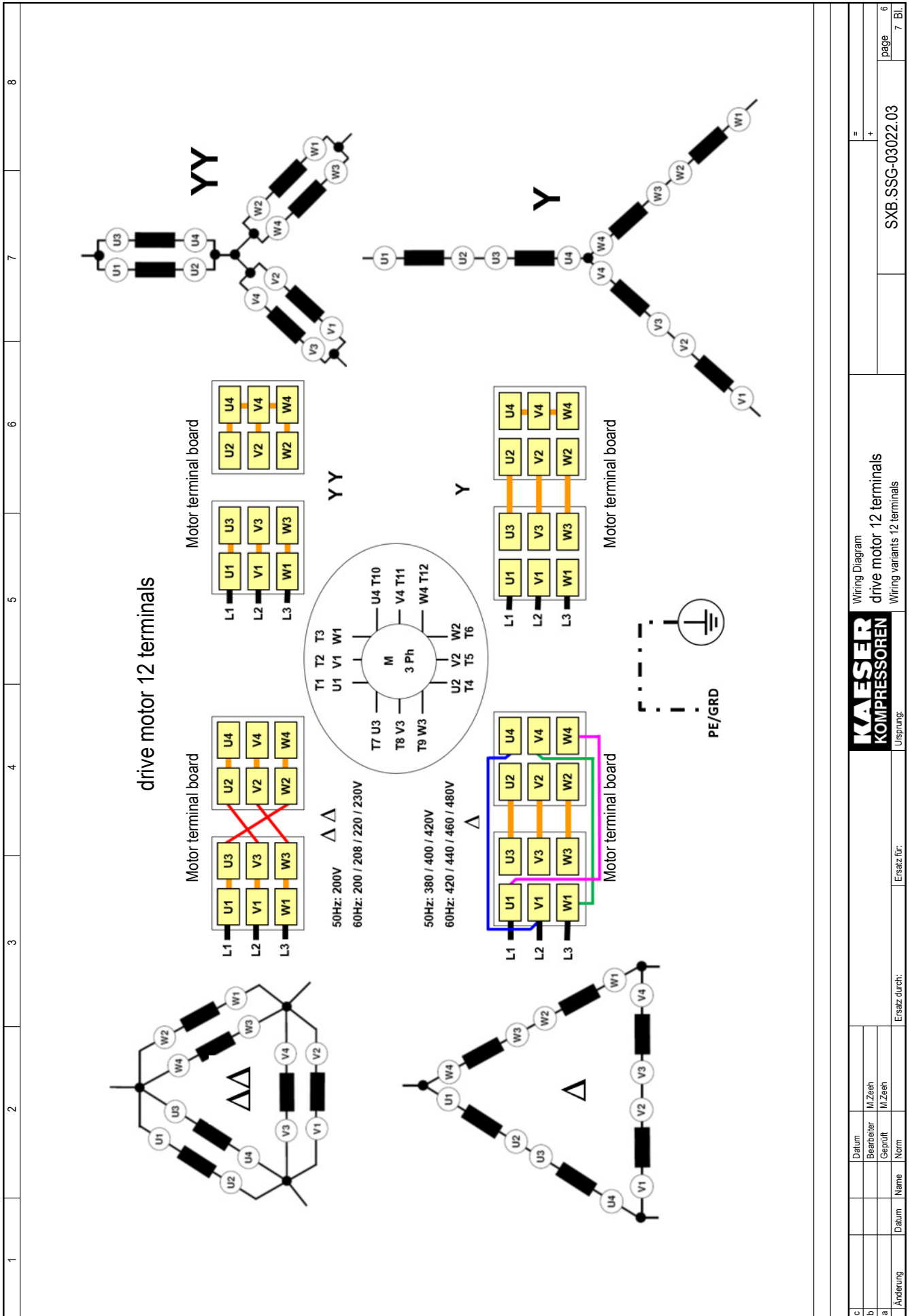
c	Datum	16.10.2018	Wiring Diagram		=		
b	Bearbeiter	M.Zeeh	drive motor 9 terminals		+		
a	Geprüft	M.Zeeh	mains voltage 9 terminals				page 3
Änderung	Datum	Name	Ersatz für:			SXB.SSG-03022.03	7 Bl.



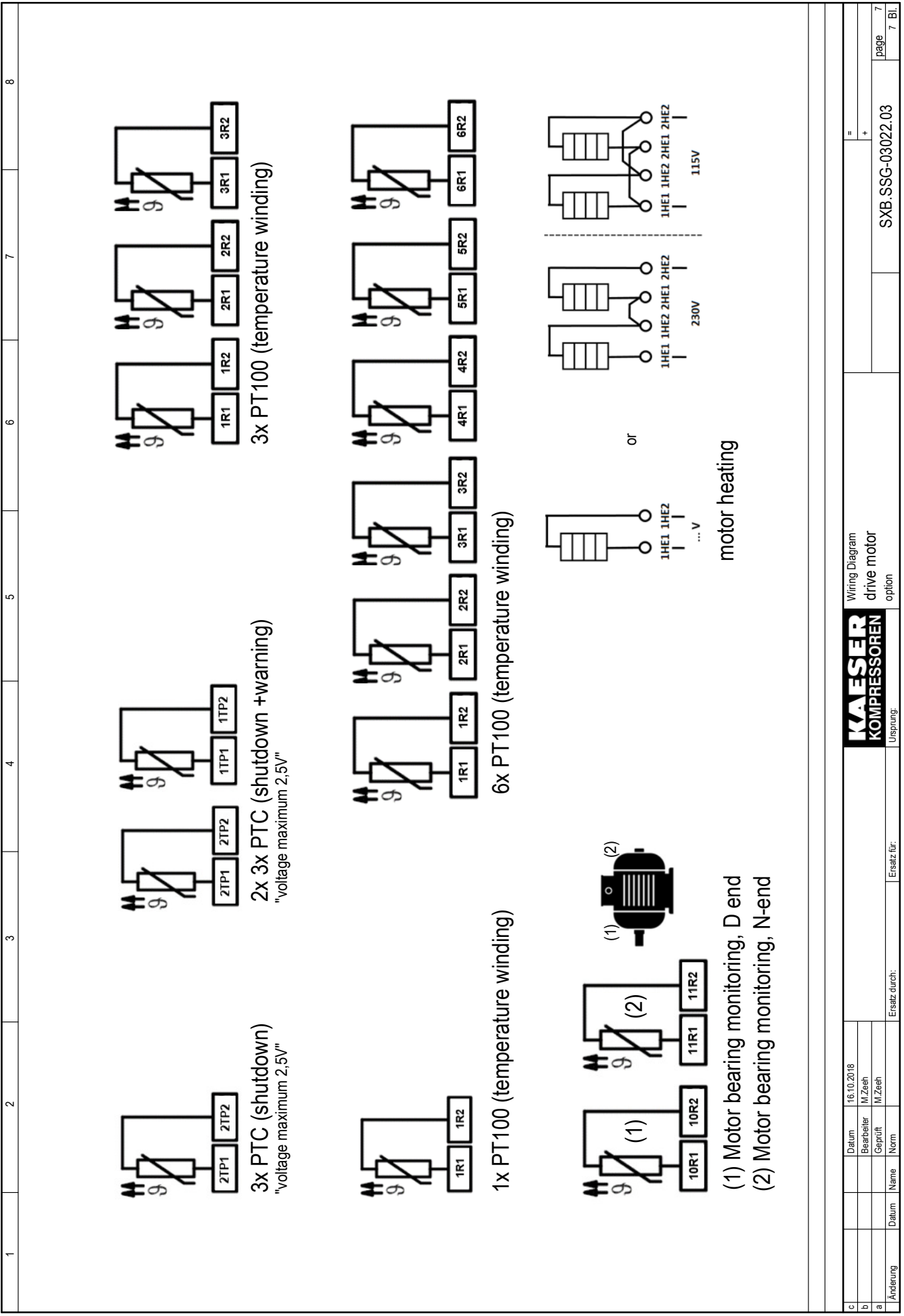
c	Datum	16.10.2018	Ersatz durch:	SX.B.SSG-03022.03	page	4
	Bearbeiter	M.Zeeh				
b	Geprüft	M.Zeeh	7 Bl.			
a	Norm					
<p>Wiring Diagram drive motor 9 terminals Wiring variants 9 terminals</p>						
<p>KAESER KOMPRESSOREN Ursprung:</p>						

1	2	3	4	5	6	7	8
drive motor 12 terminals							
voltage	50Hz power supply			60Hz power supply			
	Y/D	direct on line start	Y/D	Y/D	direct on line start		
200V DD - 50Hz	200V YY/DD	200V DD					
200V DD - 60Hz			380V Y/D	200V YY/DD	200V YY/DD	200V DD	200V DD
208V DD - 60Hz			400V Y/D		208V YY/DD	208V DD	208V DD
220V DD - 60Hz			420V Y/D		220V YY/DD	220V DD	220V DD
230V DD - 60Hz					230V YY/DD	230V DD	230V DD
380V D - 50Hz							
400V D - 50Hz			380V D				
420V D - 50Hz			400V D				
420V D - 60Hz			420V D				
440V D - 60Hz					420V Y/D	420V D	420V D
460V D - 60Hz					440V Y/D	440V D	440V D
480V D - 60Hz					460V Y/D	460V D	460V D
					480V Y/D	480V D	480V D

c	Datum		Ersatz für:	Ersatz durch:	=	+	page 5
	Bearbeiter	M.Zeeh					
b	Geprüft	M.Zeeh	Wiring Diagram		SX.B.SSG-03022.03		
a	Norm		drive motor 12 terminals		7 Bl.		
			mains voltage 12 terminals				



Kaeser KOMPRESSOREN		Wiring Diagram		=	
drive motor 12 terminals		drive motor 12 terminals		+	
Wiring variants 12 terminals		Wiring variants 12 terminals		page 6	
SXB.SSG-03022.03		SXB.SSG-03022.03		7 Bl.	
Ersatz durch:		Ersatz für:			
Datum	M/Zeich	Datum	M/Zeich		
Bearbeiter	Geprüft	Bearbeiter	Geprüft		
Name	Norm	Name	Norm		
Änderung		Änderung			



c	Datum	16.10.2018	=	
b	Bearbeiter	M.Zeeh	+	
a	Geprüft	M.Zeeh		page 7
	Name			7 Bl.
	Datum			
	Ersatz durch:			
	Ursprung:			
	Wiring Diagram			
	drive motor			
	option			
				SXB.SSG-03022.03

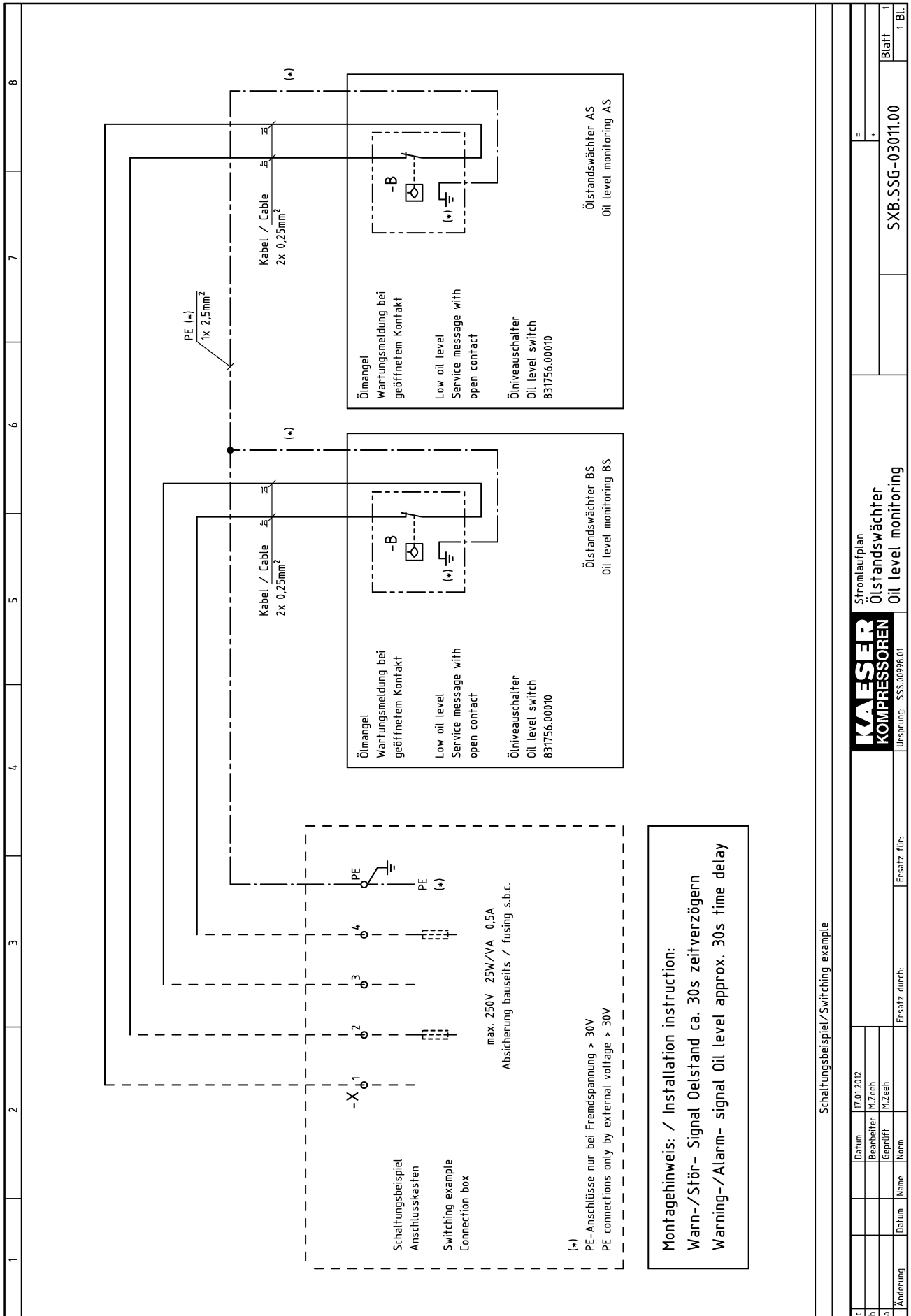
13.5 Electrical diagrams for options

Electrical diagrams for the options available for your machine are given in the following.

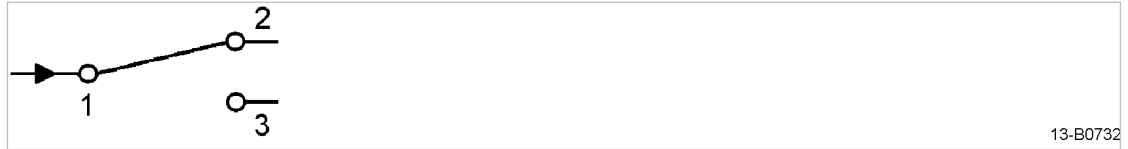
13.5.1 Option C5

Oil level monitoring – wiring diagram

1	2	3	4	5	6	7	8	
<p style="text-align: center;">Schaltungsunterlagen Electrical diagrams</p> <p style="text-align: center;">Gebläse/Blower</p> <p style="text-align: center;">Ölstandswächter/Oil level monitoring</p> <p style="text-align: center;">TT/TN-Netz mit geerdetem Sternpunkt TT/TN power supply with common point grounding</p>								
<p style="text-align: center;">Hersteller: KAESER KOMPRESSOREN GmbH Postfach 2143 96410 Coburg</p>								
<p>Dieses Dokument beinhaltet einen Sammelplan für alle hier aufgeführten Anlagentypen, Netzspannungen und Frequenzen. Unter welchen tatsächlichen Spannungen, Frequenzen und Umgebungsbedingungen die jeweilige Anlage ausschließlich betrieben werden darf, ist dem Typenschild der Anlage sowie der beiliegenden Betriebsanleitung zu entnehmen.</p> <p>The document gives collective information on power supply voltages and frequencies for all machines. The voltage and frequency and local conditions under which any particular machine may be used are given on the nameplate of the machine and in the accompanying service manual.</p> <p>Die Schaltungsunterlagen bleiben unser ausschließliches Eigentum. Sie werden nur zu dem vereinbarten Zweck anvertraut. Kopien oder sonstige Vervielfältigungen einschließlich der Speicherung, Verarbeitung und Verbreitung unter Verwendung elektronischer Systeme dürfen nur zu dem vereinbarten Zweck angefertigt werden. Weder Originale noch Vervielfältigungen dürfen Dritten ausgehändigt oder in sonstiger Weise zugänglich gemacht werden.</p> <p>The drawings remain our exclusive property. They are entrusted only for the agreed purpose. Copies or any other reproductions, including storage, treatment and dissemination by use of electronic systems must not be made for any other than the agreed purpose. Neither originals nor reproductions must be forwarded or otherwise made accessible to third parties.</p>								
c	Datum	17.01.2012	D	Deckblatt				=
b	Bearbeiter	M. Zeeh		Ölstandswächter				+
a	Geprüft	M. Zeeh		Oil level monitoring				
A	Änderung	Datum	Norm	Ersatz durch:	Ersatz für:	SX.B.DSG-03011.00		
							Blatt 1	
							1 Bl.	



13.5.2 Option C9
Pressure switch wiring diagram



13-B0732

Fig. 41 Pressure switch wiring diagram

- ① Supply
- ② Break contact
- ③ Make contact

13.5.3 Option C10
Speed monitor wiring diagram

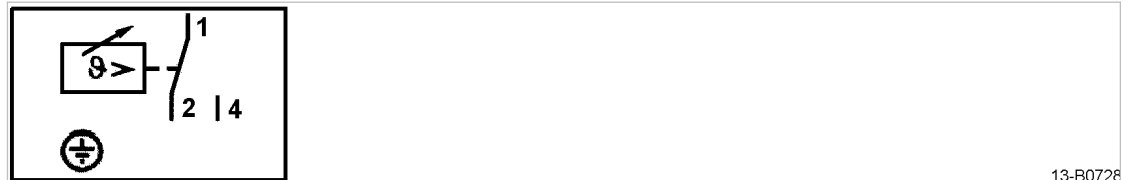
Sensor / evaluation device



13-B0810

Fig. 42 Speed monitor wiring diagram

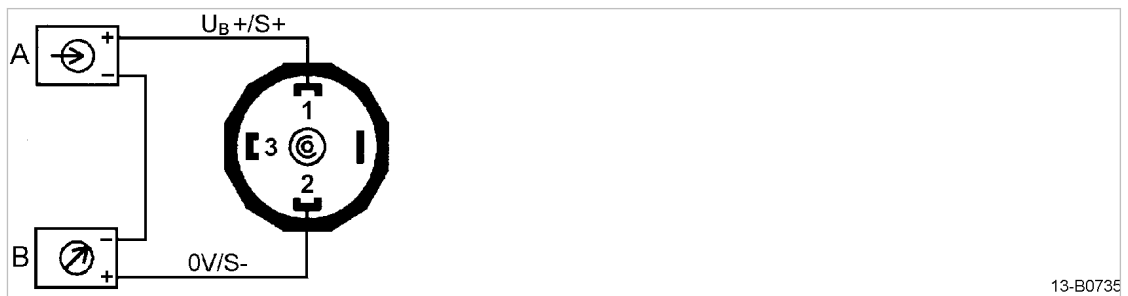
13.5.4 Option C13
Temperature gauge switch wiring diagram



13-B0728

Fig. 43 Temperature gauge switch wiring diagram

13.5.5 Option C14
Pressure sensor connections



13-B0735

Fig. 44 Pressure sensor connections

- (A) Power supply
- (B) Evaluation/display

13.5.6 Option C19
Thermostat wiring diagram

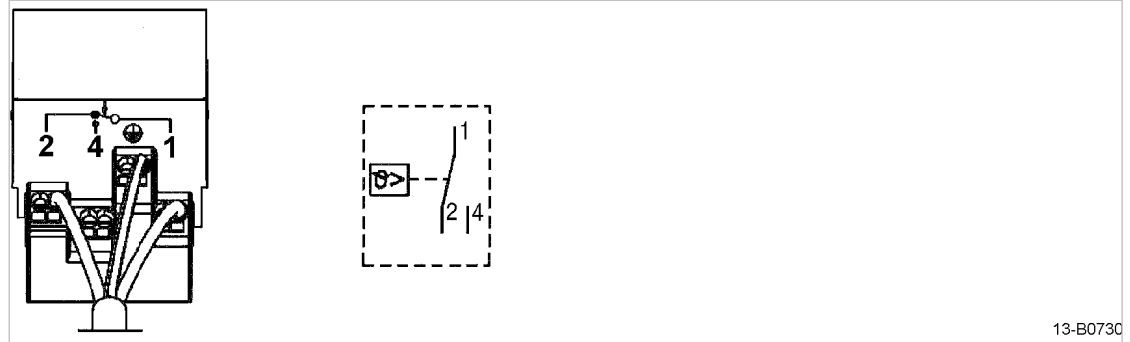


Fig. 45 Thermostat wiring diagram

13-B0730

13.5.7 Option F5
Filter pressure differential switch wiring diagram

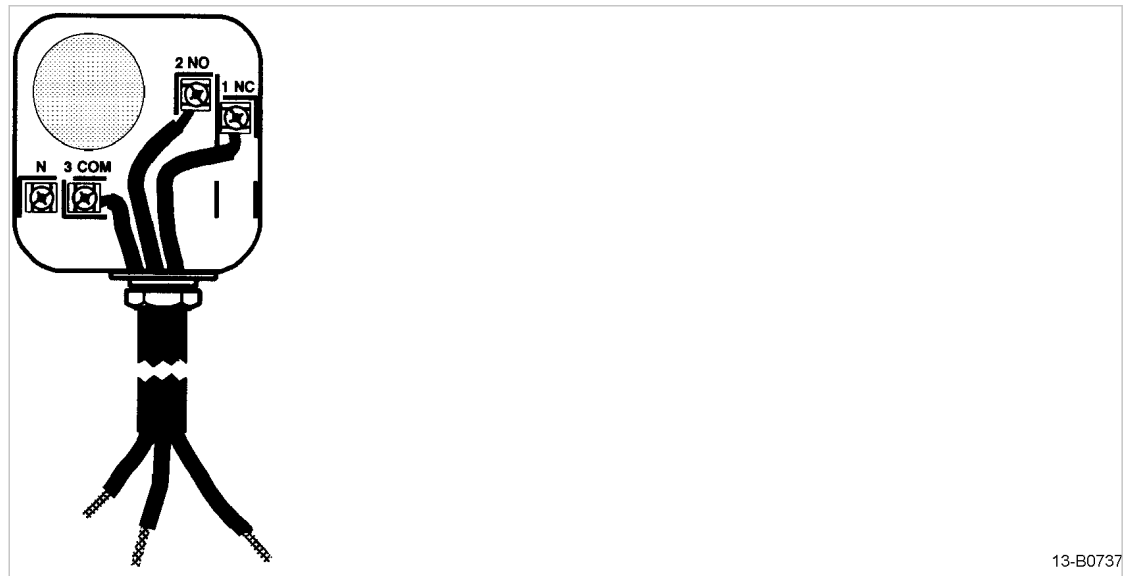
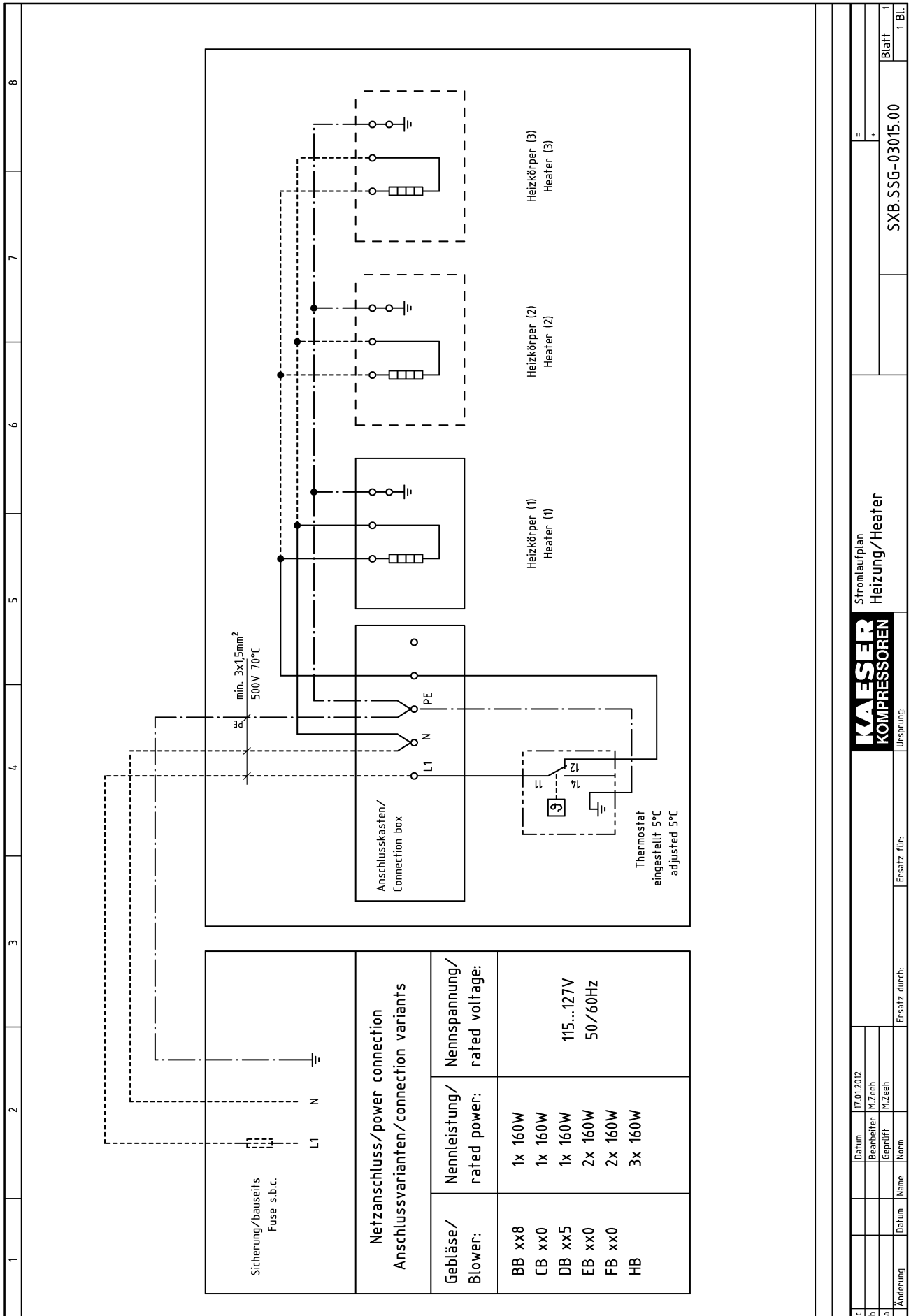


Fig. 46 Filter pressure differential switch wiring diagram

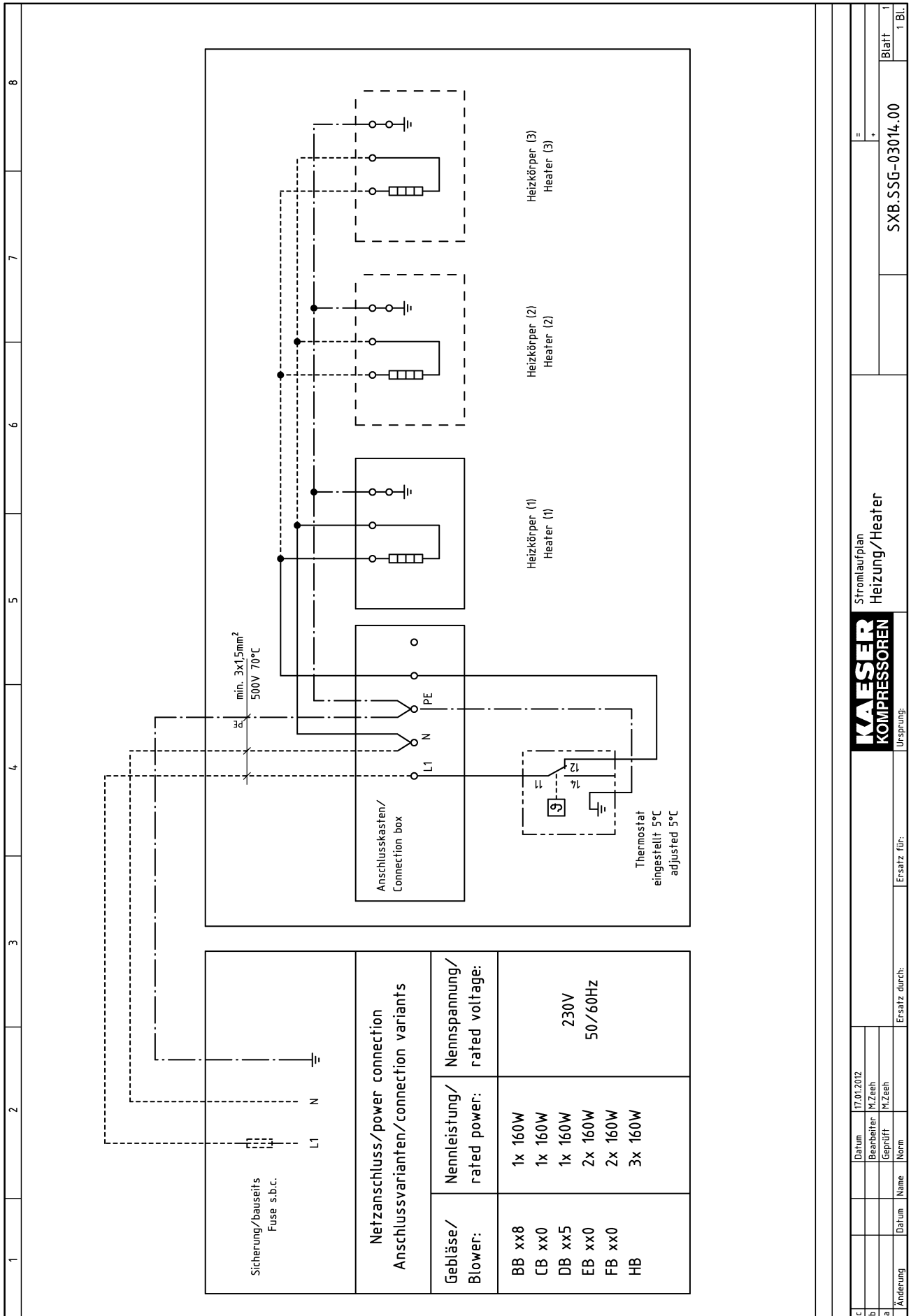
13-B0737

13.5.8 Option H2
Auxiliary heater wiring diagram

1	2	3	4	5	6	7	8	
<p style="text-align: center;">Schaltungsunterlagen Electrical diagrams</p> <p style="text-align: center;">Gebläse/Blower</p> <p style="text-align: center;">Heizung/Heater – 115...127V 50/60Hz</p> <p style="text-align: center;">TT/TN-Netz mit geerdetem Sternpunkt TT/TN power supply with common point grounding</p>								
<p style="text-align: center;">Hersteller: KAESER KOMPRESSOREN GmbH Postfach 2143 96410 Coburg</p>								
<p>Dieses Dokument beinhaltet einen Sammelplan für alle hier aufgeführten Anlagentypen, Netzspannungen und Frequenzen. Unter welchen tatsächlichen Spannungen, Frequenzen und Umgebungsbedingungen die jeweilige Anlage ausschließlich betrieben werden darf, ist dem Typenschild der Anlage sowie der beiliegenden Betriebsanleitung zu entnehmen.</p> <p>The document gives collective information on power supply voltages and frequencies for all machines. The voltage and frequency and local conditions under which any particular machine may be used are given on the nameplate of the machine and in the accompanying service manual.</p> <p>Die Schaltungsunterlagen bleiben unser ausschließliches Eigentum. Sie werden nur zu dem vereinbarten Zweck anvertraut. Kopien oder sonstige Vervielfältigungen einschließlich der Speicherung, Verarbeitung und Verbreitung unter Verwendung elektronischer Systeme dürfen nur zu dem vereinbarten Zweck angefertigt werden. Weder Originale noch Vervielfältigungen dürfen Dritten ausgehändigt oder in sonstiger Weise zugänglich gemacht werden.</p> <p>The drawings remain our exclusive property. They are entrusted only for the agreed purpose. Copies or any other reproductions, including storage, treatment and dissemination by use of electronic systems must not be made for any other than the agreed purpose. Neither originals nor reproductions must be forwarded or otherwise made accessible to third parties.</p>								
c	Datum	17.01.2012	D	Deckblatt				=
b	Bearbeiter	M. Zeeh		Heizung/Heater				+
a	Geprüft	M. Zeeh		SX.B.DSG-03015.00				Blatt 1
A	Änderung	Datum	Name	Norm	Ersatz durch:	Ersatz für:	1 Bl.	



1	2	3	4	5	6	7	8	
<p style="text-align: center;">Schaltungsunterlagen Electrical diagrams</p> <p style="text-align: center;">Gebläse/Blower</p> <p style="text-align: center;">Heizung/Heater – 208...230V 50/60Hz</p> <p style="text-align: center;">TT/TN-Netz mit geerdetem Sternpunkt TT/TN power supply with common point grounding</p>								
<p style="text-align: center;">Hersteller: KAESER KOMPRESSOREN GmbH Postfach 2143 96410 Coburg</p>								
<p>Dieses Dokument beinhaltet einen Sammelplan für alle hier aufgeführten Anlagentypen, Netzspannungen und Frequenzen. Unter welchen tatsächlichen Spannungen, Frequenzen und Umgebungsbedingungen die jeweilige Anlage ausschließlich betrieben werden darf, ist dem Typenschild der Anlage sowie der beiliegenden Betriebsanleitung zu entnehmen.</p> <p>The document gives collective information on power supply voltages and frequencies for all machines. The voltage and frequency and local conditions under which any particular machine may be used are given on the nameplate of the machine and in the accompanying service manual.</p> <p>Die Schaltungsunterlagen bleiben unser ausschließliches Eigentum. Sie werden nur zu dem vereinbarten Zweck anvertraut. Kopien oder sonstige Vervielfältigungen einschließlich der Speicherung, Verarbeitung und Verbreitung unter Verwendung elektronischer Systeme dürfen nur zu dem vereinbarten Zweck angefertigt werden. Weder Originale noch Vervielfältigungen dürfen Dritten ausgehändigt oder in sonstiger Weise zugänglich gemacht werden.</p> <p>The drawings remain our exclusive property. They are entrusted only for the agreed purpose. Copies or any other reproductions, including storage, treatment and dissemination by use of electronic systems must not be made for any other than the agreed purpose. Neither originals nor reproductions must be forwarded or otherwise made accessible to third parties.</p>								
c	Datum	17.01.2012	D	Deckblatt				=
b	Bearbeiter	M. Zeeh		Heizung/Heater				+
a	Geprüft	M. Zeeh						
A	Änderung	Datum	Name	Norm	Ersatz durch:	Ersatz für:	Blatt 1	
							1 Bl.	
						SXB.DSG-03014.00		



c	Datum	17.01.2012	Ersatz durch:	Ersatz für:	SXB.SSG-03014.00	Blatt 1 1 Bl.
b	Bearbeiter	M. Zeeh				
a	Geprüft	M. Zeeh				
Änderung	Datum	Name				
Stromlaufplan Heizung/Heater						

13.5.9 Option H12
Sound enclosure fan motor wiring plan

13.5.9.1 Manufacturer SODECA

Three-phase motor connection

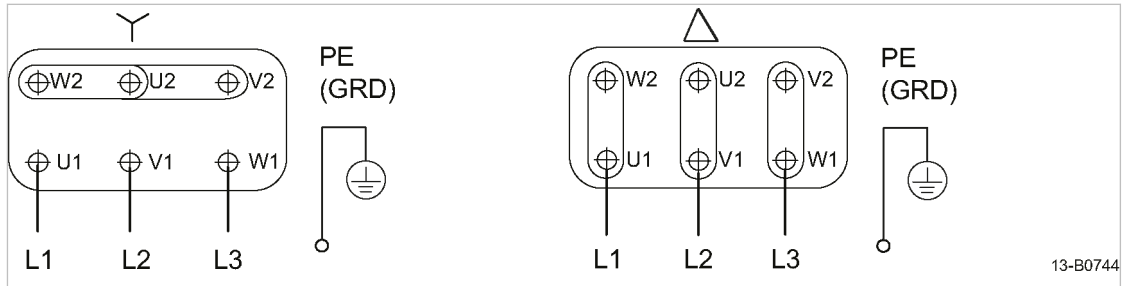


Fig. 47 Three-phase motor connection

Single-phase motor connection

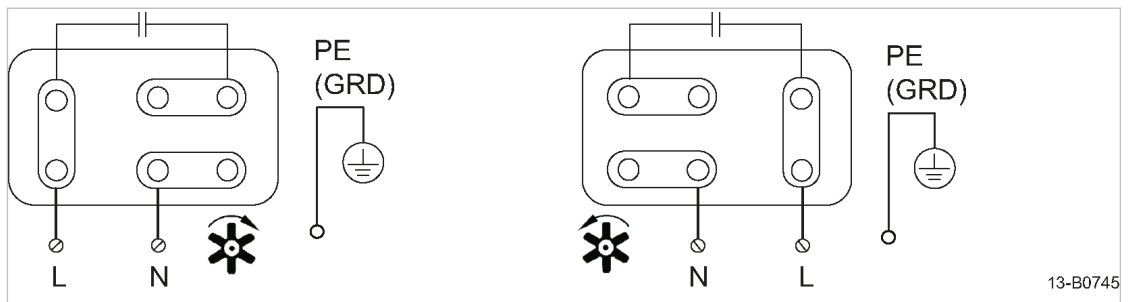


Fig. 48 Single-phase motor connection

13.6 Project planning data