

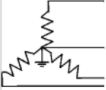
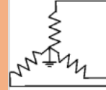


**Installation Data Sheet**  
 Series: 1:1 Belt Drive SK.2 SFC  
 Document No.: TI-DATA-2010-SFC 11 15  
 Version: 2.2  
 Revision Date: 04/17/2023

Model	SFC 11						SFC 15					
	Rated Pressure [psig]	110	125	145	160	175	217	110	125	145	160	175
<b>I. COOLING DATA</b>												
Cooling System Available [Std., Opt.]	A/C						A/C					
Standard Ambient Temp. Range [°F]	40 - 115						40 - 115					
<b>VENTILATION OF COMPRESSOR ROOM</b>												
Air Inlet Opening [sq. ft. free area] (A/C) Z	3.8						4.3					
<b>Solution A (forced ventilation with exhaust fan) as shown in service manual</b>												
Cooling Fan Capacity [CFM] (A/C)	2,766						3,355					
<b>Solution B (exhaust air used for space heating) as shown in service manual</b>												
Internal Cooling Fan Capacity [CFM] (A/C)	1,530						1,825					
Max. Additional Pressure Drop for Ducts [inch Water Column] (A/C)	0.12						0.12					
Exhaust Air Opening Reference Dimensions (L x W) [in]	See drawing for actual dimensions. The actual individual duct dimension will vary for every installation based on actual length, number and type of bends, accessories etc. 31 x 31						31 x 31					
<b>Model shown for reference only Actual Duct size may vary with installation</b>												
<b>Solution A Exhaust Fan</b>												
<b>Solution B Exhaust Duct</b>												
<b>Ventilation of Compressor Room Z</b>												
<b>AIR COOLED DATA</b>												
Internal Cooling Fan Capacity [CFM]	1,530						1,825					
Approach Temp. [°F]	Reference conditions: 14.5 psia, 30% relative humidity and 68°F inlet air temperature. 10.8						14.4					
Typical Heat Rejected [BTU / HR]	49,000						65,000					
<b>II. ELECTRICAL DATA</b> <i>Electrical data may vary in accordance with motor manufacturer's specifications. Motors are EISA compliant.</i>												
<b>DRIVE MOTOR</b>												
Motor HP	15						20					
Insulation Class	F						F					
Standard Voltage	460V/3ph/60Hz						460V/3ph/60Hz					
Full Load Amps [FLA] @ 460V/3ph/60Hz	18.2						24.5					



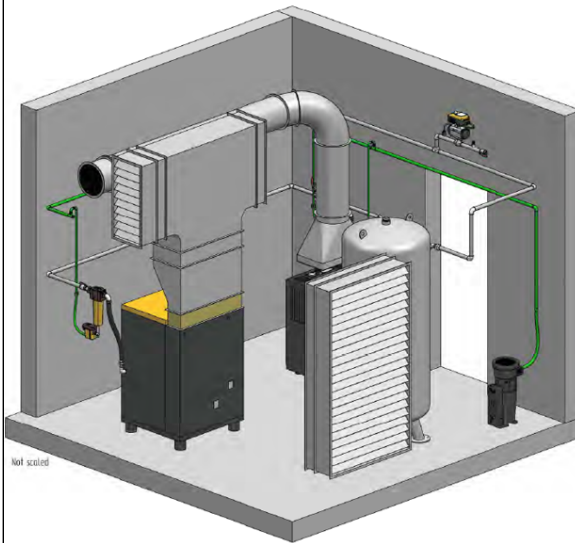
**Installation Data Sheet**  
**Series: 1:1 Belt Drive SK.2 SFC**  
**Document No.: TI-DATA-2010-SFC 11 15**  
**Version: 2.2**  
**Revision Date: 04/17/2023**

Model	SFC 11						SFC 15					
Rated Pressure [psig]	110	125	145	160	175	217	110	125	145	160	175	217
<b>TOTAL PACKAGE DATA (A/C)</b>												
Do NOT operate package on any unsymmetrical power supply. Also do NOT operate package on power supplies like, for example, a three-phase (open) delta or three-phase star with non-grounded neutral. The machine requires a symmetrical three-phase power supply transformer with a WYE configuration output as shown on the right. In a symmetrical three-phase supply the phase angles and voltages are all the same. Other power supplies are not suitable.				<b>three-phase star (wye); 4-wire; grounded neutral</b>						<b>three-phase star (wye); 3-wire; grounded neutral</b>		
Continuous Duty [Hours per day]	24						24					
Control Cabinet Class (NEMA)	12						12					
Short Circuit Current Rating (SCCR) [kA] @ 460V/3ph/60Hz	Field installed fuse required, see below*						50					
Package Full Load Amps @ 460V/3ph/60Hz [FLA]	28						34					
Recommended Disconnect Fuse Size [Amps] @ 460V/3ph/60Hz	*Time delay (dual element) fuse: Class J ≤ 600A (e.g. AJT) / Class L > 600A (e.g. A4BQ). Based on 2020 NEC 240.6, 430.52, and Tables 430.52, 430.248, and 430.250						40					
Recommended Disconnect Wire Size [AWG/kcmil] @ 460V/3ph/60Hz	The following multi-strand copper core wires are given according to 2020 NEC 310.14, 310.15, 310.16 and table 310.16 adjusted for 40°C ambient temperature. If other local conditions prevail, for example high temperature, the cross section should be checked and adjusted according to 2020 NEC 110.14(C), 220.3, 310.14, 310.15, 310.16, 430.6, 430.22, 430.24, 670.4(A) and other local codes.						8 AWG per phase and ground			6 AWG per phase and ground		
<b>INSTALLATION and MAINTENANCE DATA</b>												
A/C with Super Soundproofing [dB(A)]	SOUND PRESSURE LEVEL [Measured in dB(A) according to ISO 2151 using ISO 9614-2]						68			69		
A/C Air Discharge [inches NPT or Flange]	1 NPT						1 NPT					
Power Input Conduit Opening(s) [inches]	1 5/8						1 5/8					
Condensate Drain Connection [NPT]	N/A						N/A					
Width [inches]	29 1/2						29 1/2					
Depth [inches]	35 1/4						35 1/4					
Height [inches]	49 1/2						49 1/2					
Floor Space [sq. ft.]	7 2/9						7 2/9					
Weight (A/C) [lb]	Weight may vary based on airend selected.						725			743		
<b>COMPRESSOR FLUID DATA</b>												
Fluid Capacity (A/C) [gal]	1.85						1.85					
Flow Rate [gal/min]	3.2						3.2					
Typical Oil Consumption [fl. Oz./100 h]	1.9						2.4					
Standard Fluid Type	Sigma S-460						Sigma S-460					
<b>MAINTENANCE PARTS</b>												
Air Inlet Filter	6.4432.0						6.4432.0					
Filter Mat (optional)	5.5850.0						5.5850.0					
Filter Mat for Control Cabinet	7.4519.0 (4x)						7.4519.0 (4x)					
Fluid Filter	6.3462.1						6.3462.1					
Fluid Separator Kit	6.3792.2						6.3792.2					
Maintenance Kit for Optional 5-year warranty	AN5YRKSFC9						AN5YRKSFC9					
Maintenance Kit for Optional 5-year warranty, with food-grade lubricant	AN5YRKSFC9F						AN5YRKSFC9F					

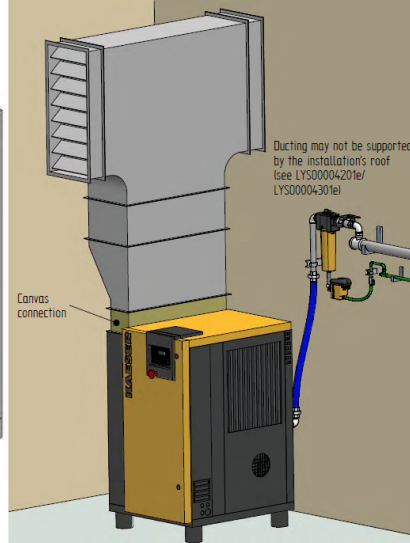
Model	SFC 11						SFC 15										
	Rated Pressure [psig]						110	125	145	160	175	217	110	125	145	160	175

**SAMPLE SKETCHES**

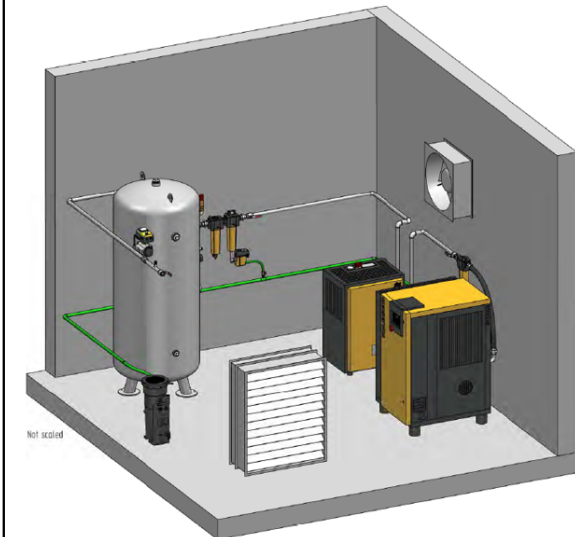
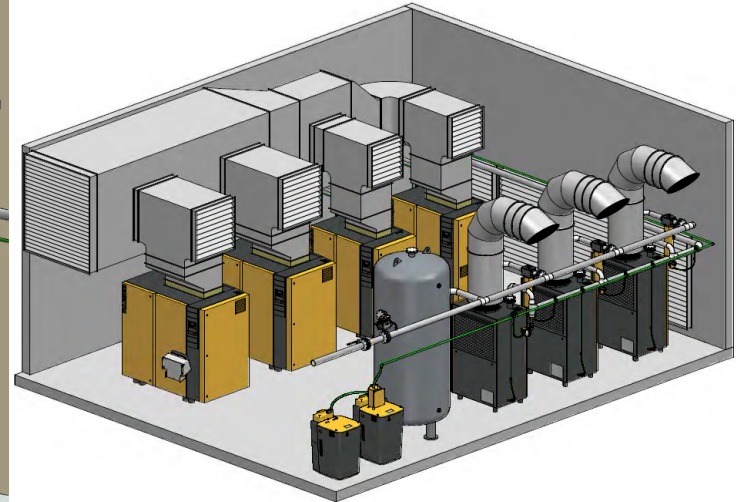
**Sample Installation Planning**  
**Examples of room ventilation and ductwork**  
Please note the upsizing required for compressor exhaust ducts



SK 20 / TB 26 / F26KE / F26KA Sample Layout



Duct / Pipe connection SK



SK 20 / TB 26 / F26KE / F26KA Sample Layout

**Example designs only, not for construction purposes.**